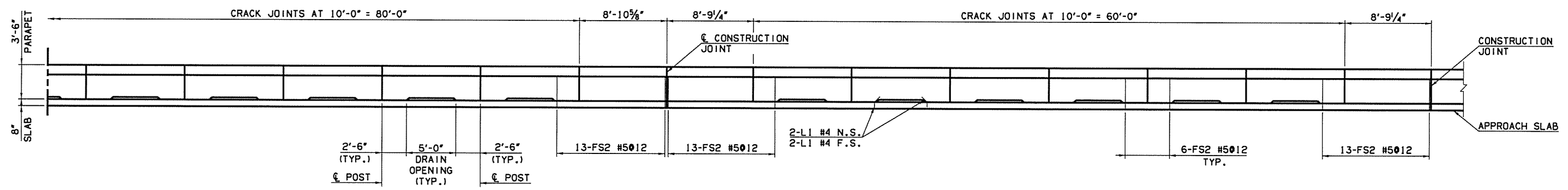
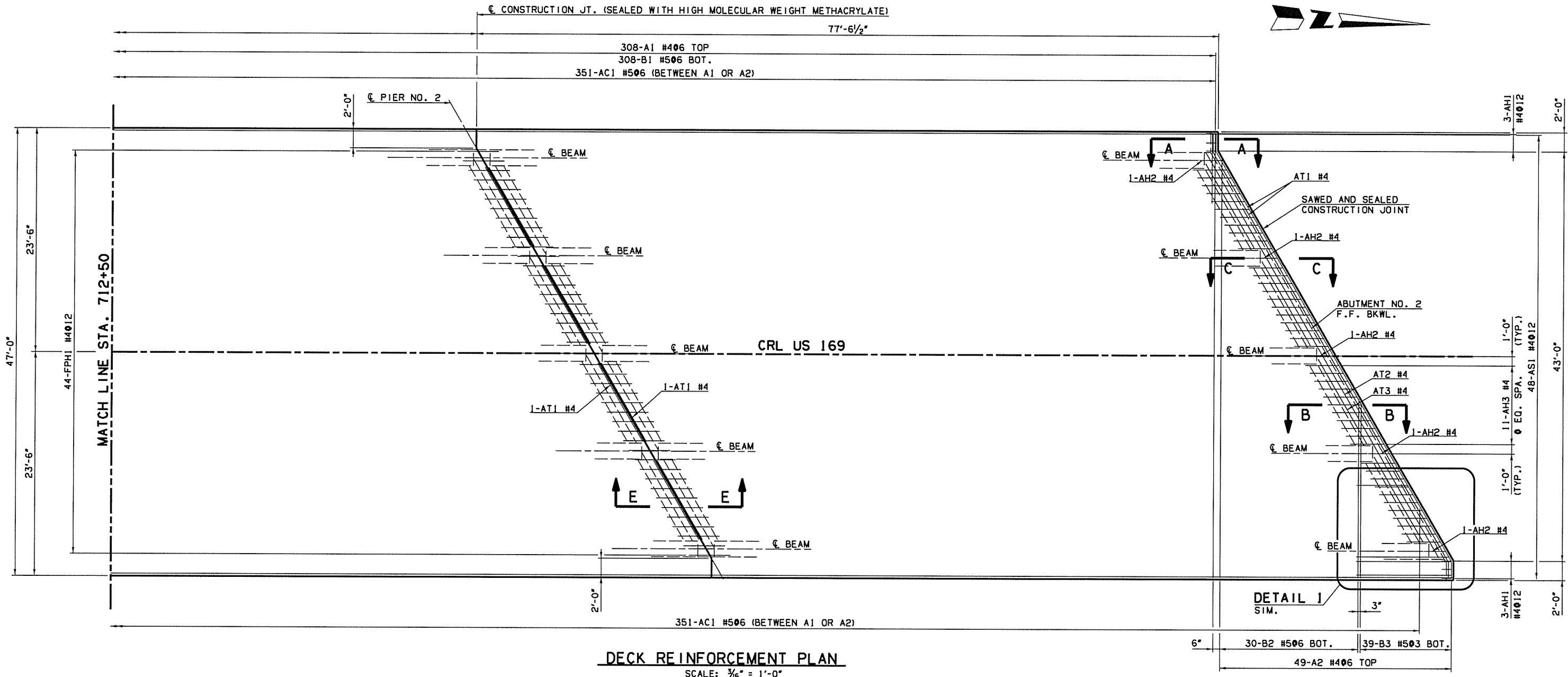


7/12/2016

12:29:53 PM

P:\EQU\650-TUL\CIV\255231000-000T\_US169BR-dg\20\_DESGN\40-CAD\_Hickory\106N\5\Bridg A\247501041.S\_Deck\_Plan\_02.dgn

DOT	STATE	J/P PROJ NO	FISCAL YEAR	SHEET NO	TOTAL SHEETS
8	OKLA	247501041		67	127



Design	PAA	6/16	US 169 OVER HICKORY CREEK	NOWATA COUNTY
Drawn	JT	6/16	BRIDGE A	
Checked	AEJ	6/16	<b>SUPERSTRUCTURE DETAILS</b>	
Approved	SAK	6/16	<b>(SHEET 2 OF 4)</b>	
Squad	BENHAM		Job Piece No. 247501041	Sheet No. 67