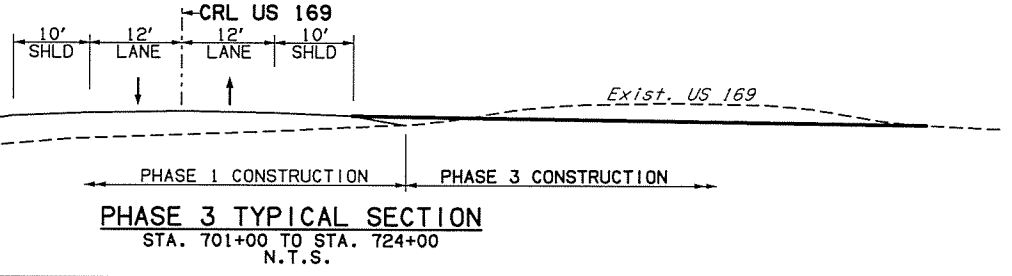
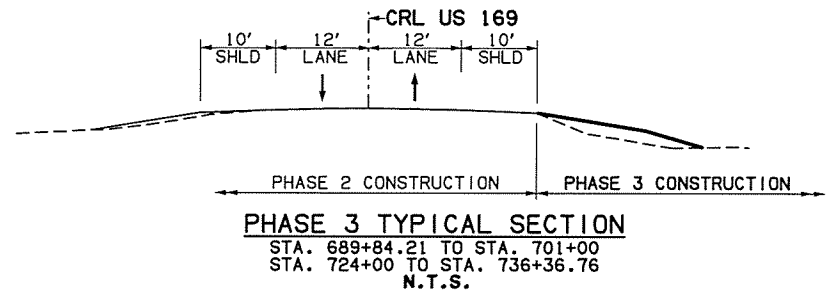
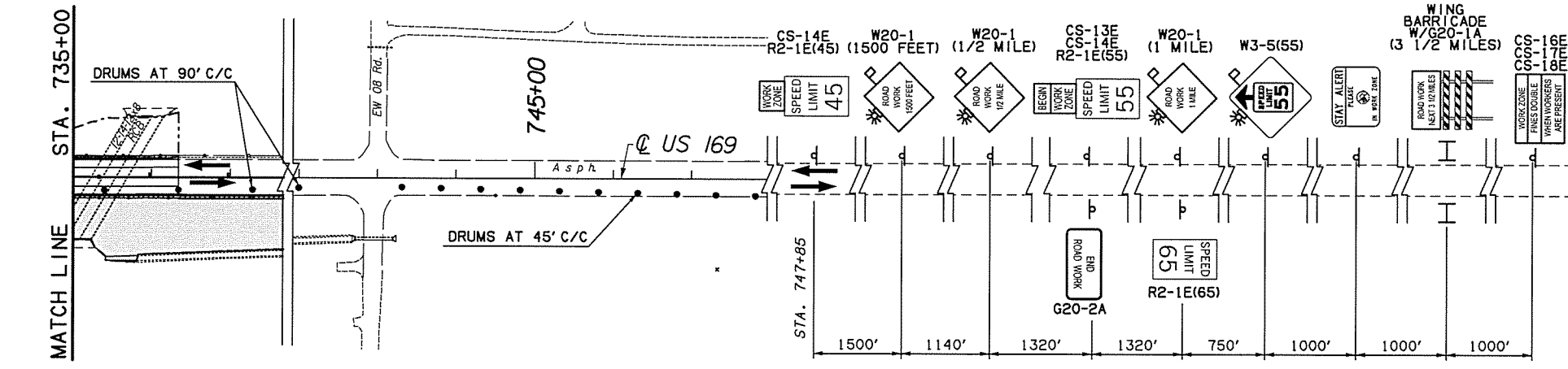
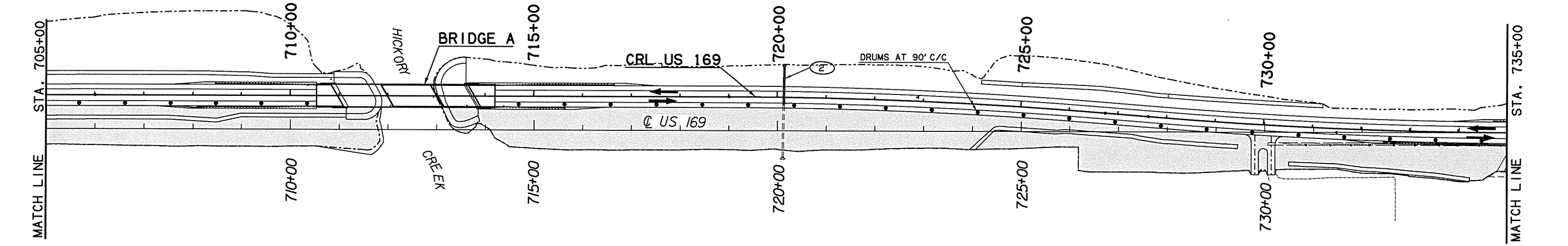
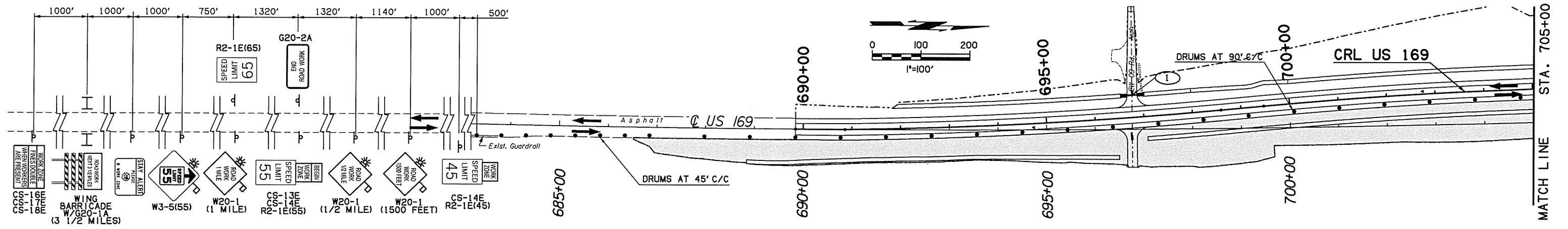


0001	STATE	J/P PROJ NO	FISCAL YEAR	SHEET NO	TOTAL SHEETS
8	OKLA	24750(04)		30	127



PHASE 3		
ITEM	CONSTRUCTION	TRAFFIC
US 169	Sta. 689+84.21 to Sta. 736+36.76 east foreslope / ditch	On Proposed US 169
South Detour	Remove	
North Detour	Remove	
Bridge A	No construction	

LEGEND

- CONSTRUCTION
- TEMPORARY CONSTRUCTION
- COMPLETED CONSTRUCTION
- COMPLETED TEMPORARY CONSTRUCTION
- SIGN
- DRUMS
- WING BARRICADE
- TRAFFIC FLOW DIRECTION
- PORTABLE LONGITUDINAL BARRIER
- IMPACT ATTENUATOR

Design		US 169 OVER HICKORY CREEK SUGGESTED CONSTRUCTION SEQUENCE/TRAFFIC CONTROL (3) State Job No. 24750(04) Sheet No. 30	NOWATA COUNTY
Drawn			
Checked			
Approved			
Squad			