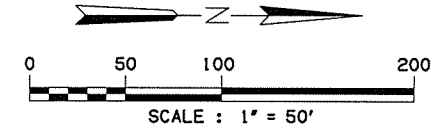
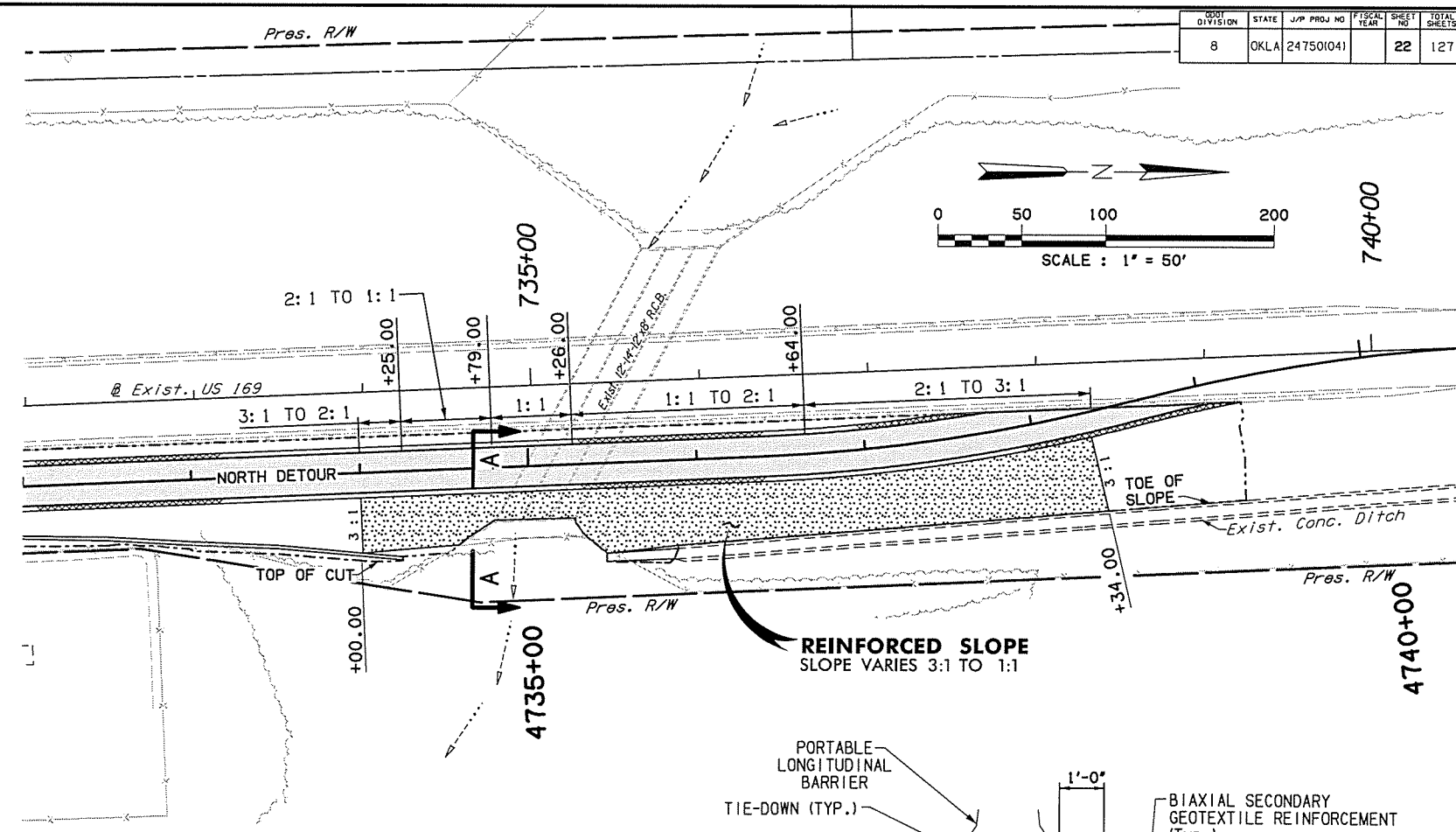
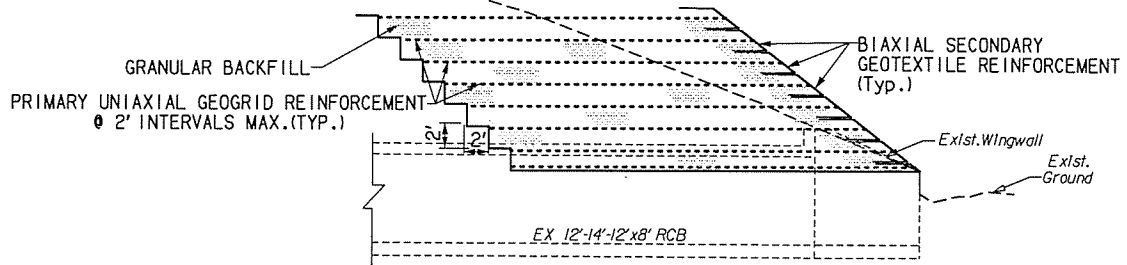


7/12/2016

7:38:56 AM

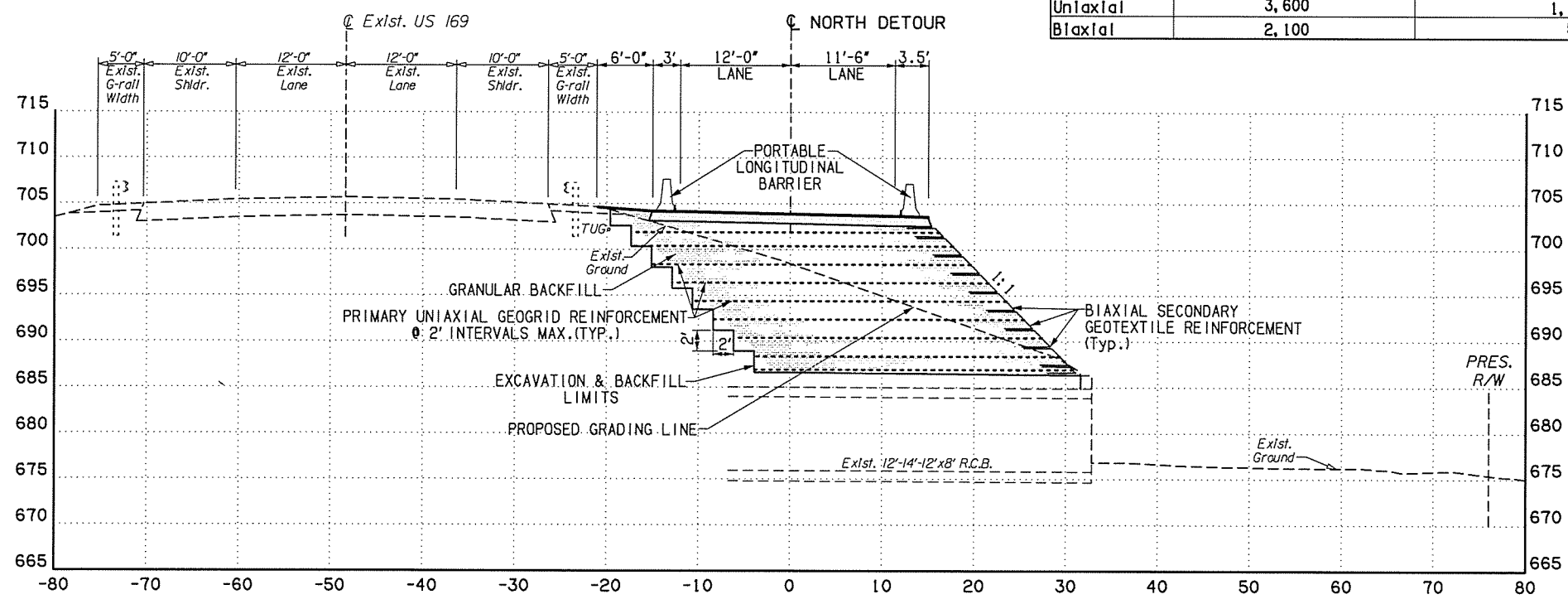
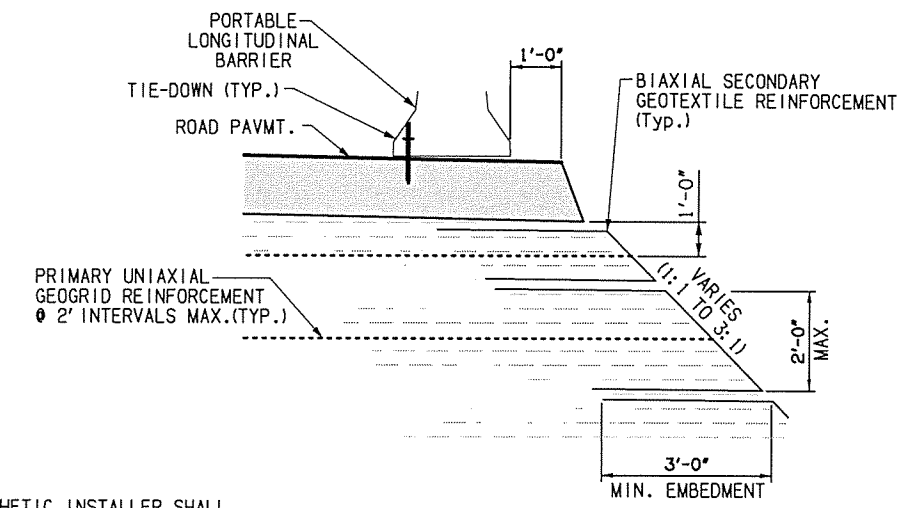
P:\ECON\650-TUL\CV\255231000.000T\_US169B-dg\20\_DESGN\40\_CAD\_Hickory\DKM\C\North Detour\_IL\_25.13.dgn

DOT DIVISION	STATE	J/P PROJ NO	FISCAL YEAR	SHEET NO	TOTAL SHEETS
8	OKLA	24750(04)		22	127



Geogrid and Geotextile Reinforcement Shall Meet The Following Strength Properties:

Reinforcement Type	Ultimate Strength (Lb/Ft)	Long Term Design Strength (lb/ft)
Uniaxial	3,600	1,835
Biaxial	2,100	594



NOTES:

1. THE GEOSYNTHETIC INSTALLER SHALL HAVE DOCUMENTED EXPERIENCE OF AT LEAST FIVE PROJECTS OF SIMILAR CONSTRUCTION AND SCOPE. THE CONTRACTOR SHALL PROVIDE AN ON-SITE SUPERVISOR WITH A MINIMUM OF THREE YEARS EXPERIENCE INSTALLING SIMILAR REINFORCED EMBANKMENTS. WRITTEN VERIFICATION OF QUALIFICATIONS SHALL BE SUBMITTED TO THE ENGINEER PRIOR TO CONSTRUCTION OF THE REINFORCED SLOPE.
2. PRIMARY REINFORCEMENT GEOSYNTHETIC (GEOGRID) SHALL BE LAID AT THE PROPER ELEVATION AND ORIENTATION AS SHOWN ON THE CONSTRUCTION DRAWINGS OR AS DIRECTED BY THE ENGINEER. CORRECT ORIENTATION OF THE GEOSYNTHETIC SHALL BE VERIFIED BY THE ENGINEER.
3. GRANULAR BACKFILL SHALL BE PLACED IN 8 INCH LIFTS AND COMPACTED ACCORDING TO ODOT SPECIFICATIONS.
4. IF CONTRACTOR CHOOSES AN ALTERNATE DESIGN FOR THE REINFORCED SLOPE, IT SHALL BE DESIGNED BY A LICENSED PROFESSIONAL ENGINEER REGISTERED IN THE STATE OF OKLAHOMA. THE CONTRACTOR SHALL SUBMIT TO ODOT SIGNED AND SEALED CALCULATIONS AND DRAWINGS IN ACCORDANCE WITH SUBSECTION 105.02. ENSURE THE ENGINEER APPROVES THE ALTERNATE DESIGN PRIOR TO USE.
5. TO MODIFY REINFORCED SLOPE TO PROPOSED GRADING LINE (CUTTING GEOGRID) AND ADD FILL AND TOPSOIL UP TO PROPOSED GRADING LINE. THIS AREA WILL BE SODDED.
6. THE COST OF CUTTING THE GEOGRID REINFORCEMENT SHALL BE INCLUDED IN THE PRICE BID PER S.Y. OF GEOGRID REINFORCEMENT.

Design		US 169 OVER HICKORY CREEK	NOWATA COUNTY
Drawn		<b>NORTH DETOUR REINFORCED SLOPE</b> State Job No. 24750(04) Sheet No. 22	
Checked			
Approved			
Squad			