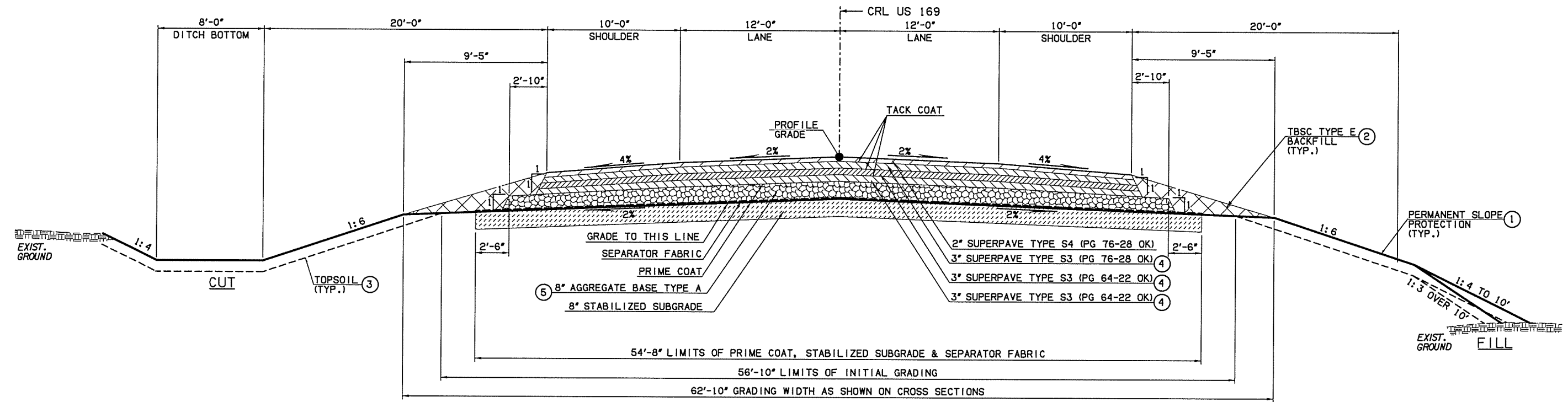
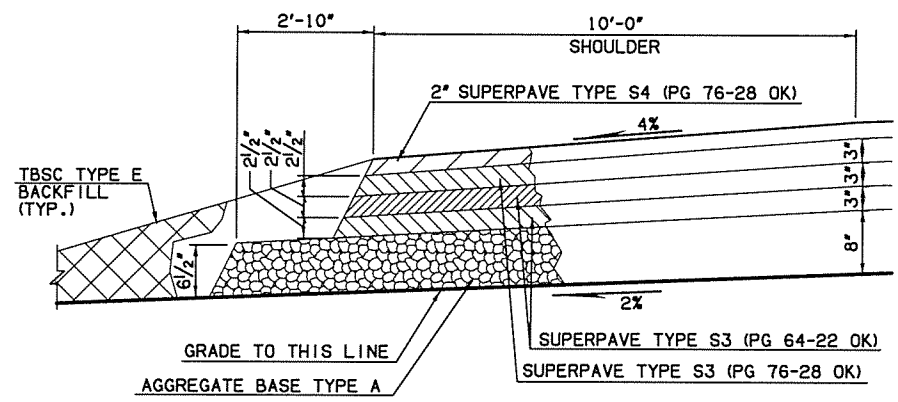


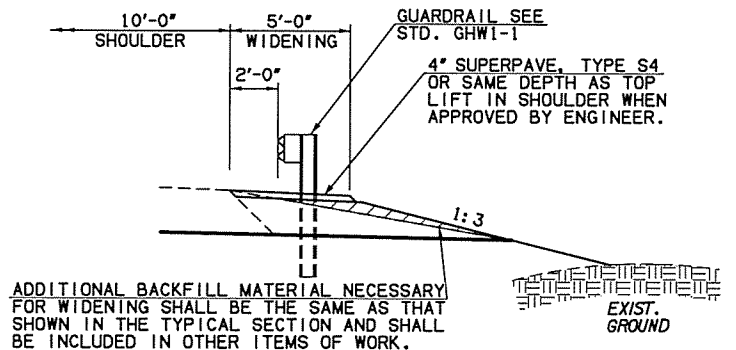
DOT DIVISION	STATE	J/P PROJ NO	FISCAL YEAR	SHEET NO	TOTAL SHEETS
8	OKLA	24750(04)		2	127



1 **TYPICAL SECTION**
US 169
 NTS
 STA. 689+84.21 TO STA. 710+54.05
 STA. 714+20.35 TO STA. 736+36.76



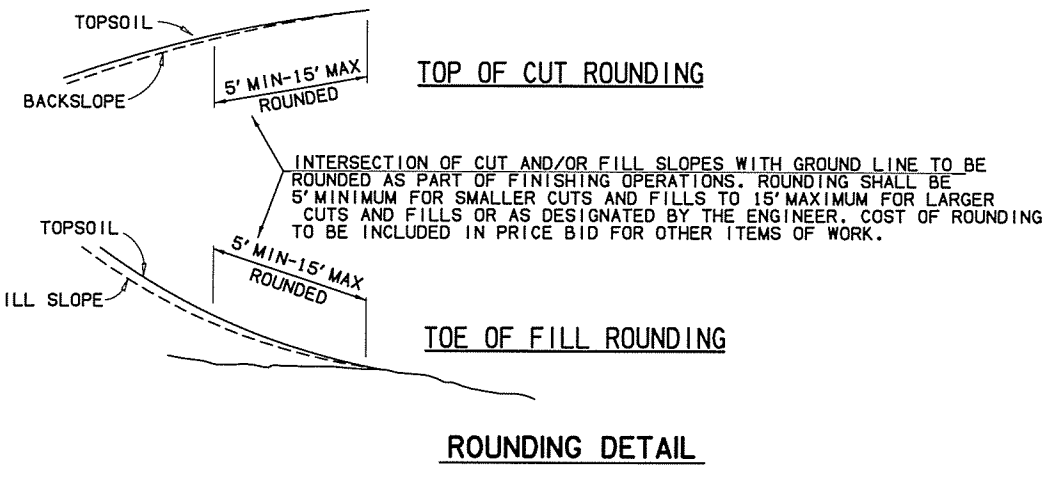
SHOULDER DETAIL
NTS



GUARDRAIL DETAIL

CRL US 169
 STA. 708+10.90 TO STA. 710+54.65 RT.
 STA. 708+48.40 TO STA. 710+54.65 LT. (OPPOSITE HAND)
 STA. 714+19.75 TO STA. 715+63.50 RT.
 STA. 714+19.75 TO STA. 716+63.50 LT. (OPPOSITE HAND)
 STA. 732+49.29 TO STA. 736+36.76 RT.
 STA. 734+74.23 TO STA. 736+36.76 LT. (OPPOSITE HAND)
 C US 169
 STA. 736+33.81 TO STA. 739+96.31 RT.

- ① PERMANENT SLOPE PROTECTION REFER TO DETAIL SHEET 4.
- ② TO BE BACKFILLED & COMPACTED AS PART OF THE FINISHING OPERATIONS. COST TO BE INCLUDED IN TBSC TYPE E.
- ③ TOPSOIL NOTE : THE CONTRACTOR SHALL STRIP ALL OF THE AVAILABLE TOPSOIL, STOCKPILE IT AND PLACE IT BACK ON THE SECTION IN ACCORDANCE WITH SECTION 205 OF THE STANDARD SPECIFICATIONS. RESERVED TOPSOIL SHALL BE SPREAD FIRST ON THE COMPLETE SLOPES OF THE CUT SECTIONS AND THE REMAINDER ON COMPLETED FILL SLOPES OR OTHER PRIORITY AREAS LOCATED BY THE ENGINEER. ALL ADDITIONAL COSTS ASSOCIATED WITH OPERATION SHALL BE INCLUDED IN THE PAY ITEMS FOR SALVAGED TOPSOIL, LUMP SUM.
 THE GRADING LINE AS SHOWN ON THE TYPICAL AND CROSS SECTIONS IS TO TOP OF THE SOIL. EARTHWORK QUANTITIES WERE NOT ADJUSTED FOR SALVAGE AND TOPSOIL QUANTITY IS INCLUDED IN THE SUMMARIZED EARTHWORK.
- ④ ASPHALT LAYER TO BE TAPERED FROM FULL DEPTH AT SHOULDER TO 2 1/2" AT EDGE OF PAVING. SEE SHOULDER DETAIL THIS SHEET.
- ⑤ AGGREGATE BASE LAYER TO BE TAPERED FROM FULL DEPTH AT SHOULDER TO 6 1/2" AT EDGE OF PAVING. SEE SHOULDER DETAIL THIS SHEET.



ROUNDING DETAIL

Design		US 169 OVER HICKORY CREEK	NOWATA COUNTY
Drawn			
Checked			
Approved			
Squad			

TYPICAL SECTION (1)
 State Job No. 24750(04) Sheet No. 2

7/12/2016 7:38:46 AM P:\EC\1650-TUL\ACIV\2552\10000_0001_US169R-dg\20_DESIGN\40_CAD_Hickory\1\04m\C\24750(04).C Typ_Sect_01.dgn