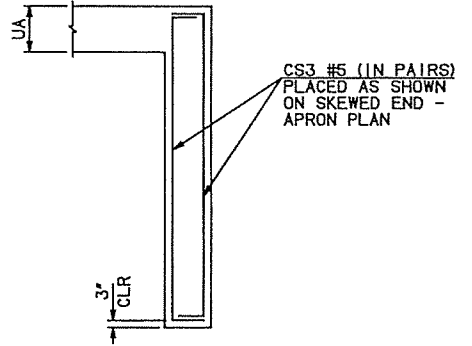
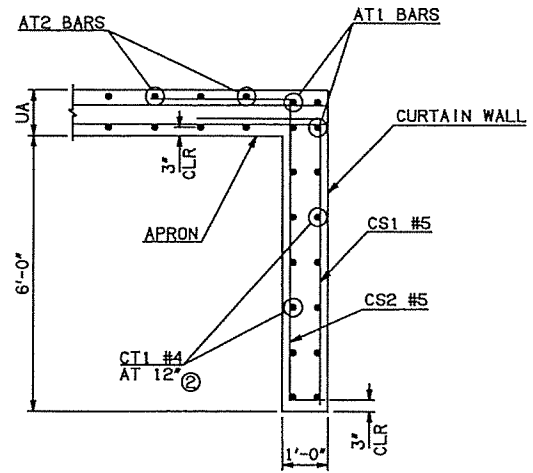


COPI	STATE	J/P PROJ NO	FISCAL YEAR	SHEET NO	TOTAL SHEETS
8	OKLA	27092(04)		91	143

SECTION ① DIMENSIONS			CURTAIN WALL REINFORCING STEEL									
S	H	UA	CS1-#5 AT 6" MAX		CS2-#5 AT 6" MAX		CS3-#5 BARS			CT1-#4 AT 12"		
QTY	LENGTH	QTY	*M*	LENGTH	QTY	*M*	LENGTH	QTY	*M*	LENGTH	QTY	LENGTH
84	7'-9"	84	6'-3"	8'-8"	4	6'-3"	7'-7"	12		44'-9"		

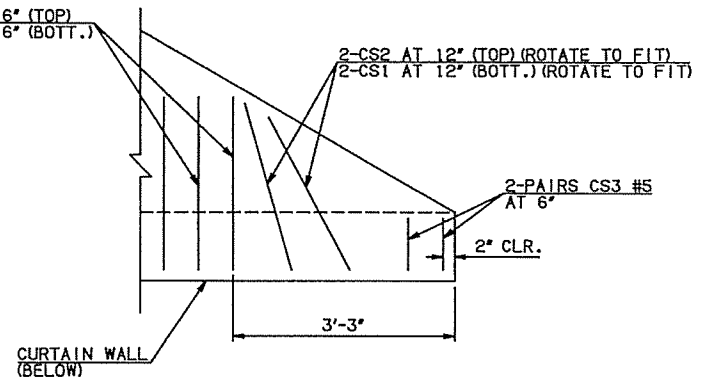
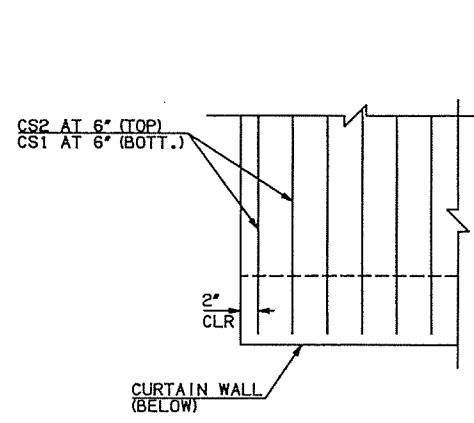
CURTAIN WALL QUANTITIES	
CONC. (C.Y.)	REINF. (LB.)
10.10	1620.00



CURTAIN WALL DETAIL

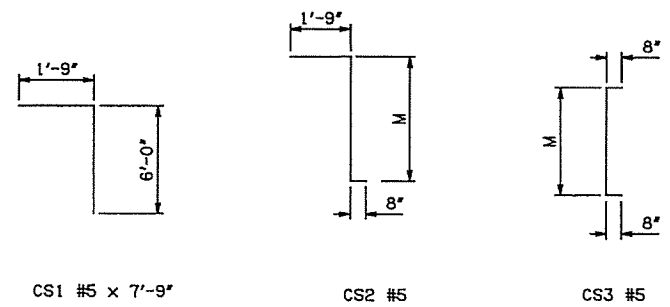
CURTAIN WALL END DETAIL

- NOTE: ① SEE RCB DETAILS SHEET 1 OF 5 FOR ADDITIONAL INFORMATION  
 ② NUMBER & SPACING OF CT1 BARS SHOWN IN DETAIL MAY NOT BE REPRESENTATIVE OF ACTUAL CURTAIN WALL SECTION. SEE SCHEDULE FOR NUMBER AND SPACING OF CT1 BARS.  
 ③ INCLUDES 2'-6" LAPS  
 ④ INCLUDES TWO 2'-6" LAPS



CURTAIN WALL AT STRAIGHT END-APRON PLAN

CURTAIN WALL AT SKEWED END-APRON PLAN



Design	KSJ	6/16	US 169	NOWATA COUNTY
Drawn	WZB	6/16		
Checked	RAH	6/16		
Approved	SAK	6/16		
Squad	BENHAM			

**RCB EXTENSION  
7'X6' RCB DETAILS  
(SHEET 6 OF 6)**

Job Piece No. 27092(04) Sheet No. 91