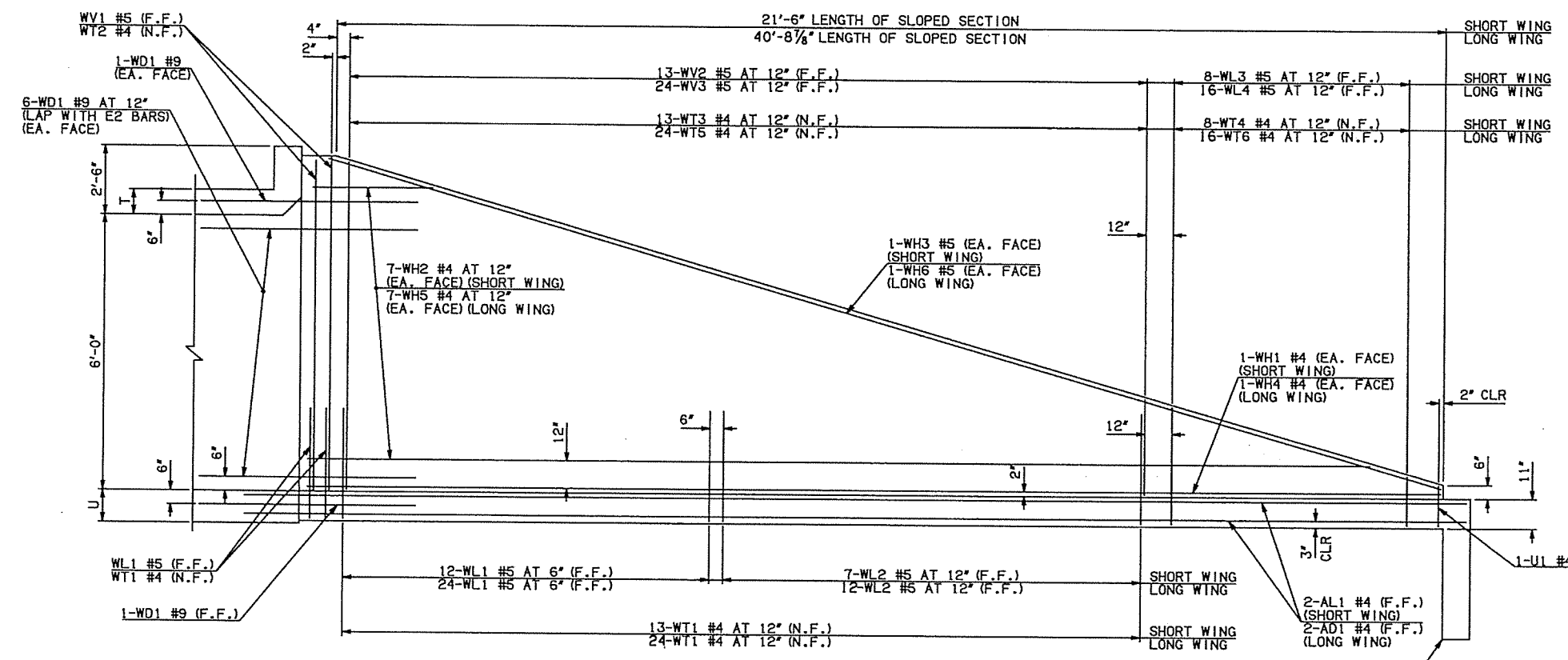


7/12/2016

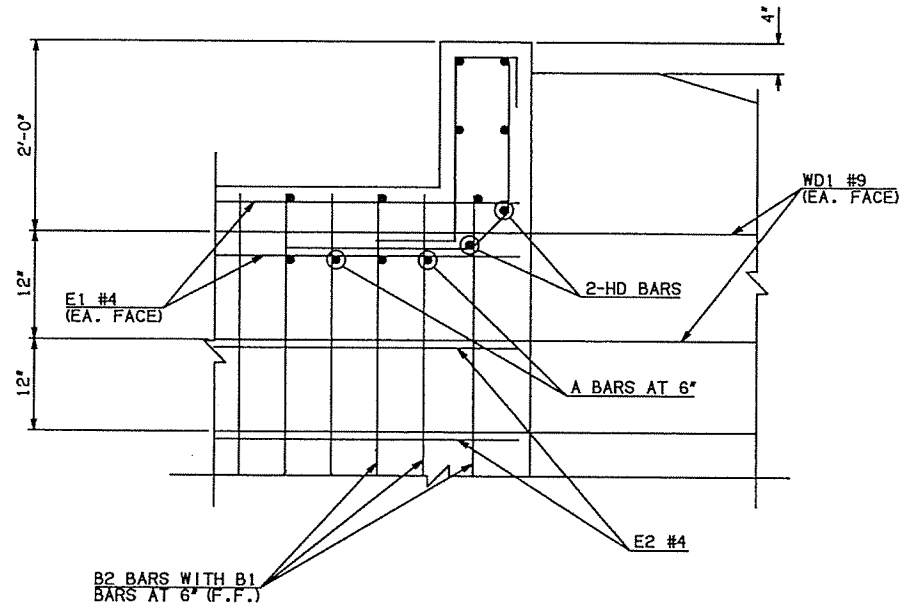
11:27:40 AM

P:\EQ\1650-TUL_VCIY_25523\1000_0001_US1659BRC.dwg 20_DESIGN\40_CAD_Opocsum\DCN\S\Box\27092(04)_RCB_Def_04.dgn

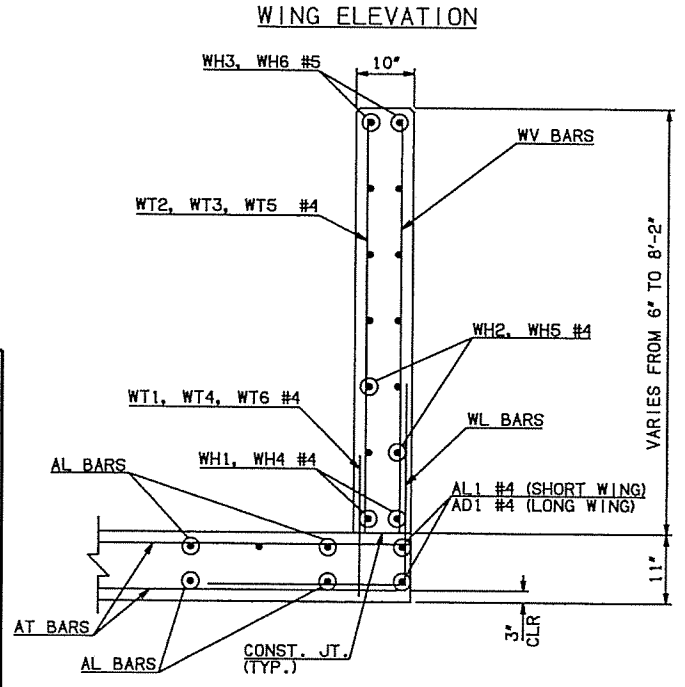
COORD.	STATE	J/P PROJ NO	FISCAL YEAR	SHEET NO	TOTAL SHEETS
8	OKLA	27092(04)		90	143



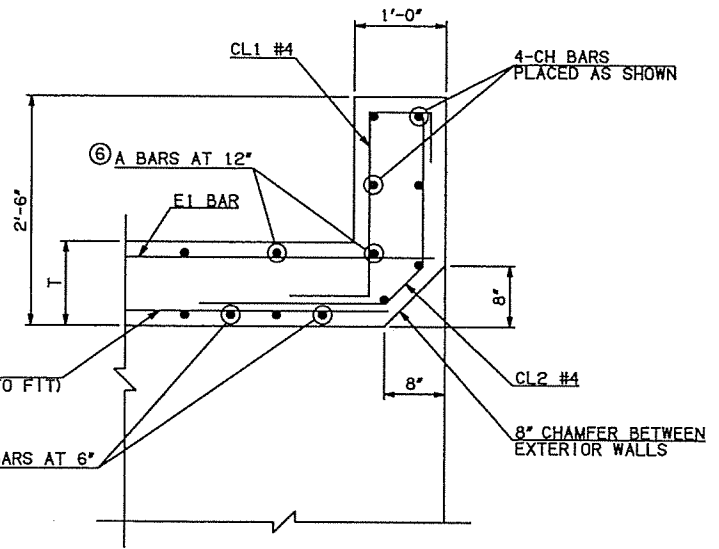
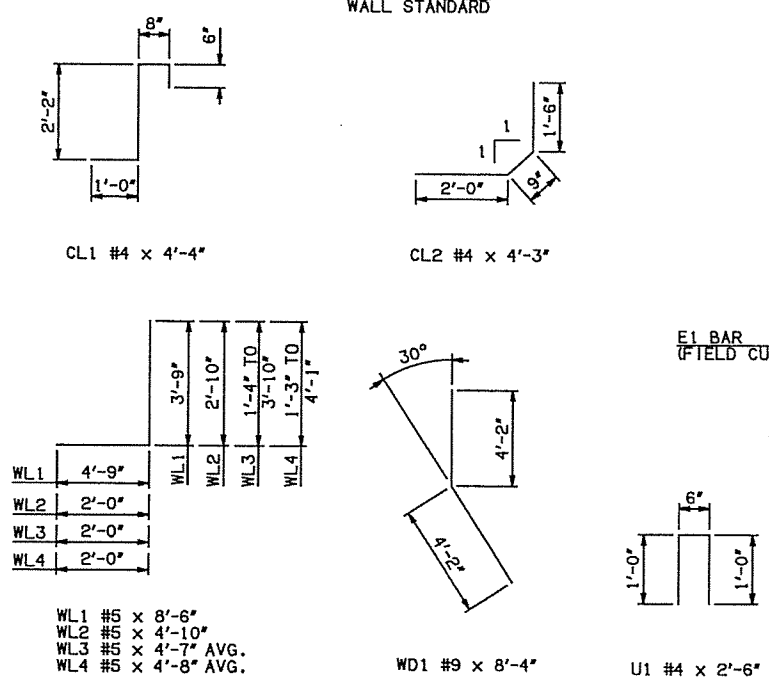
NOTE: F.F. = FAR FACE
N.F. = NEAR FACE



② HEADWALL DETAIL AT EXTERIOR WALL



TYPICAL SECTION THRU WING



② HEADWALL DETAIL AT MIDSPAN
DIMENSION SHOWN NORMAL TO HEADWALL

NOTES:

- ① QUANTITY SHOWN REPRESENTS TWO SETS.
- ② FOR FURTHER INFORMATION REGARDING END SECTION BARS A, B, C, E1, AND E2, REFER TO RCB DETAILS SHEET 1 OF 5.

WINGWALL BAR LIST					
(LONG AND SHORT WING INCLUDED)					
MARK	SIZE	FORM	QTY.	LENGTH	REMARKS
WD1	#9	BNT.	30	8'-4"	
WH1	#4	STR.	2	22'-4"	
WH2	#4	STR.	14	11'-8" (AVG.)	3'-3" TO 20'-1"
WH3	#5	STR.	2	22'-7"	
WH4	#4	STR.	2	44'-6"	
WH5	#4	STR.	14	22'-10" (AVG.)	5'-8" TO 39'-11"
WH6	#5	STR.	2	44'-2"	
WL1	#5	BNT.	40	8'-6"	
WL2	#5	BNT.	21	4'-10"	
WL3	#5	BNT.	8	4'-7" (AVG.)	3'-4" TO 5'-10"
WL4	#5	BNT.	16	4'-8" (AVG.)	3'-3" TO 6'-1"
WT1	#4	STR.	41	2'-10"	
WT2	#4	STR.	5	8'-0"	
WT3	#4	STR.	13	5'-9" (AVG.)	3'-7" TO 7'-10"
WT4	#4	STR.	8	2'-7" (AVG.)	1'-4" TO 3'-10"
WT5	#4	STR.	24	5'-9" (AVG.)	3'-6" TO 7'-11"
WT6	#4	STR.	16	2'-8" (AVG.)	1'-3" TO 4'-1"
WV1	#5	STR.	4	8'-0"	
WV2	#5	STR.	13	5'-9" (AVG.)	3'-7" TO 7'-10"
WV3	#5	STR.	24	5'-9" (AVG.)	3'-6" TO 7'-11"
U1	#4	BNT.	2	2'-6"	

HEADWALL BAR LIST					
ONE HEADWALL SHOWN					
MARK	SIZE	FORM	QTY.	LENGTH	REMARKS
CH	#4	STR.	4	10'-3"	
CL1	#4	BNT.	11	4'-4"	
CL2	#4	BNT.	11	4'-3"	
HD	#6	STR.	2	10'-3"	

Design	KSJ	6/16	US 169	NOWATA COUNTY
Drawn	WZB	6/16		
Checked	RAH	6/16		
Approved	SAK	6/16		
Squad	BENHAM			

RCB EXTENSION
7'X6' RCB DETAILS
(SHEET 5 OF 6)

Job Piece No. 27092(04) Sheet No. 90