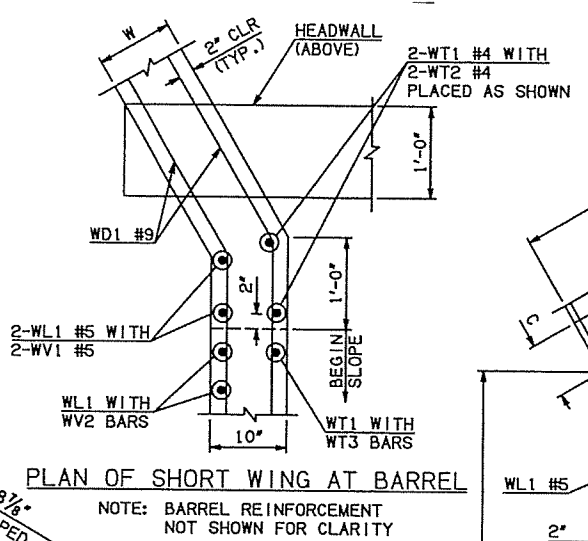
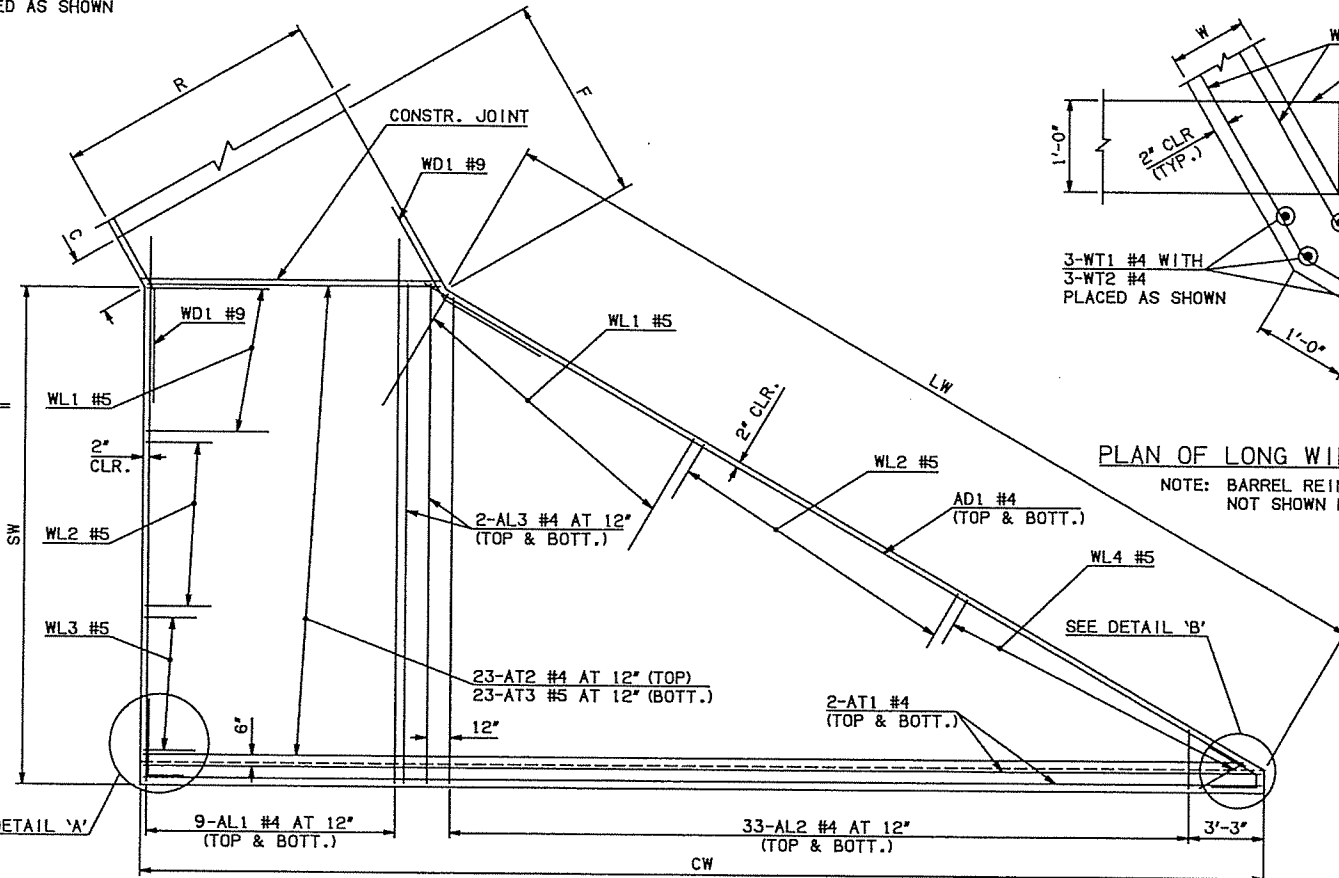


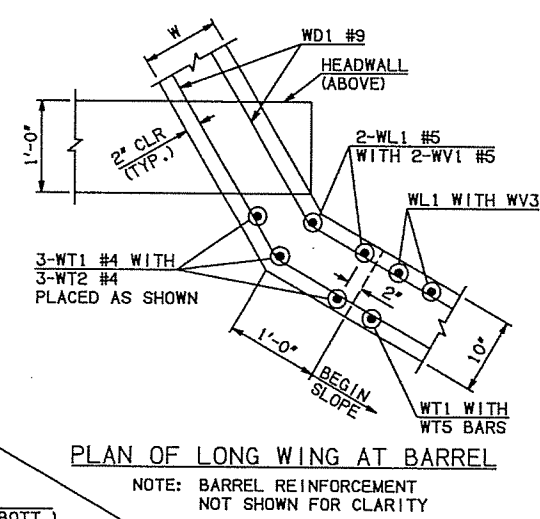
END SECTION PLAN



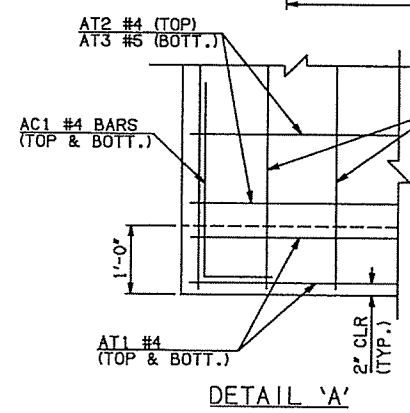
PLAN OF SHORT WING AT BARREL  
NOTE: BARREL REINFORCEMENT NOT SHOWN FOR CLARITY



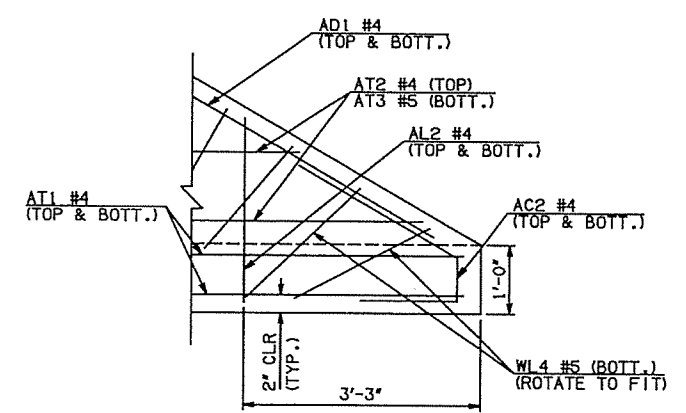
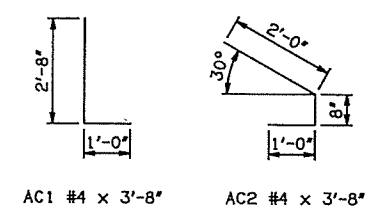
APRON REINFORCING



PLAN OF LONG WING AT BARREL  
NOTE: BARREL REINFORCEMENT NOT SHOWN FOR CLARITY



DETAIL 'A'



DETAIL 'B'

① QUANTITY SHOWN REPRESENTS TWO SETS.

APRON BAR LIST					
ONE APRON SHOWN					
MARK	SIZE	FORM	QTY.	LENGTH	REMARKS
AC1	#4	BNT.	2	3'-8"	
AC2	#4	BNT.	2	3'-8"	
AD1	#4	STR.	2	40'-11"	
AL1	#4	STR.	18	25'-9"	
AL2	#4	STR.	66	12'-10" (AVG.)	2'-8" TO 23'-0"
AL3	#4	STR.	4	23'-9"	
AT1	#4	STR.	4	44'-9"	
AT2	#4	STR.	23	26'-9" (AVG.)	9'-5" TO 44'-1"
AT3	#5	STR.	23	26'-9" (AVG.)	9'-5" TO 44'-1"

7/12/2016 11:27:120 AM P:\E\1650-TUL\CIV\255231000-000T\_US1659B-dg\20\_DESGN\40\_CAD\_Opossum\06N\Box\27092(04)\_RCB\_Det\_02.dgn