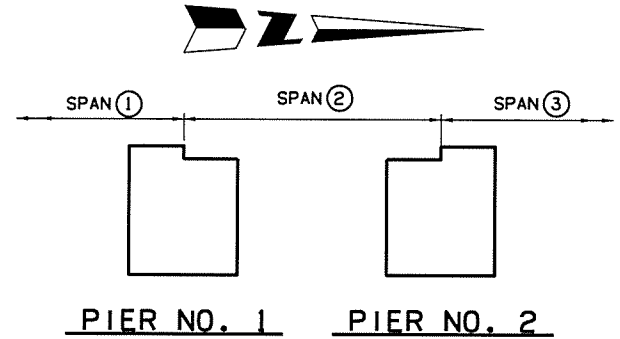
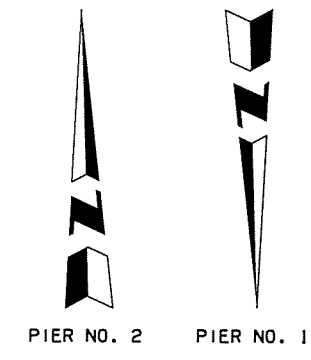
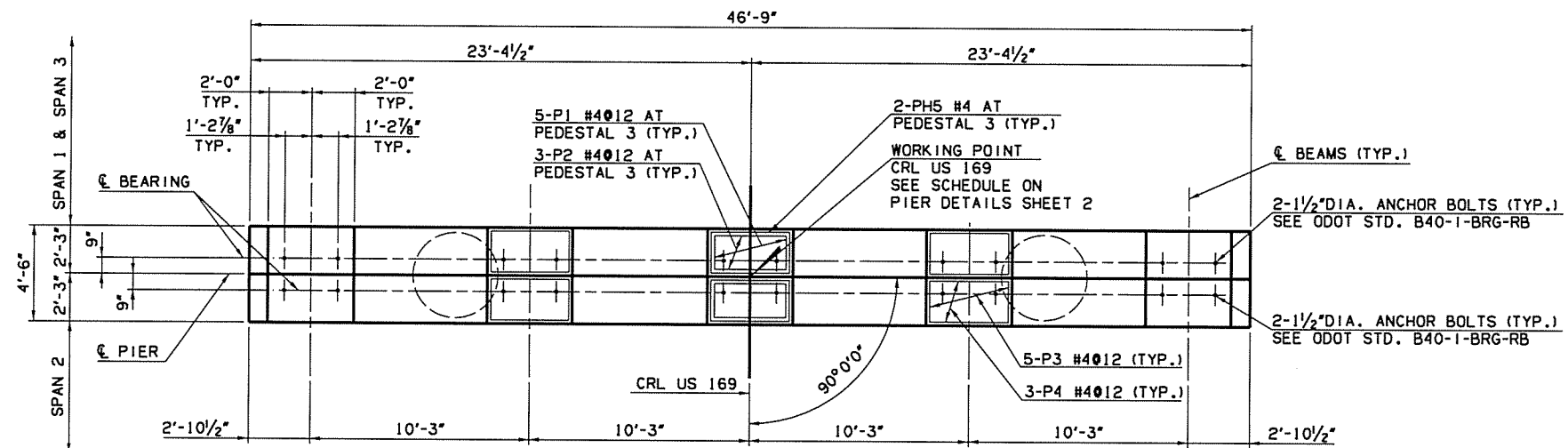
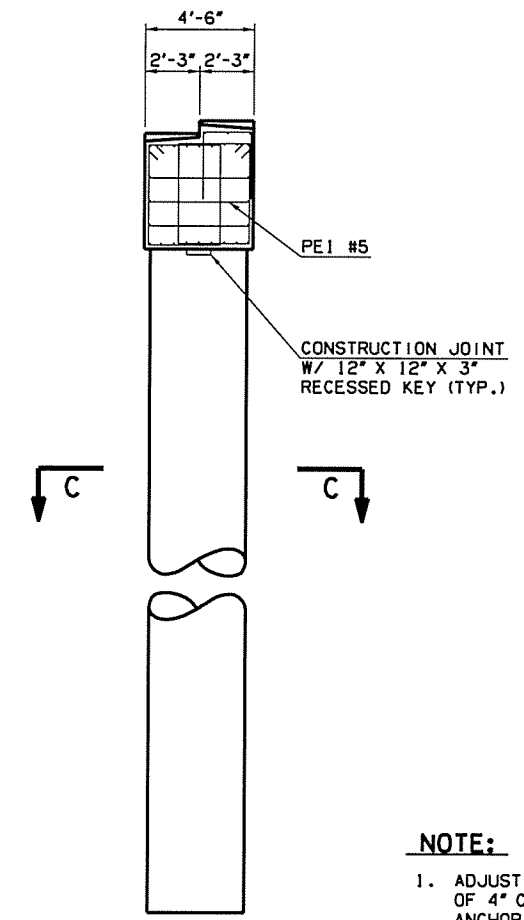
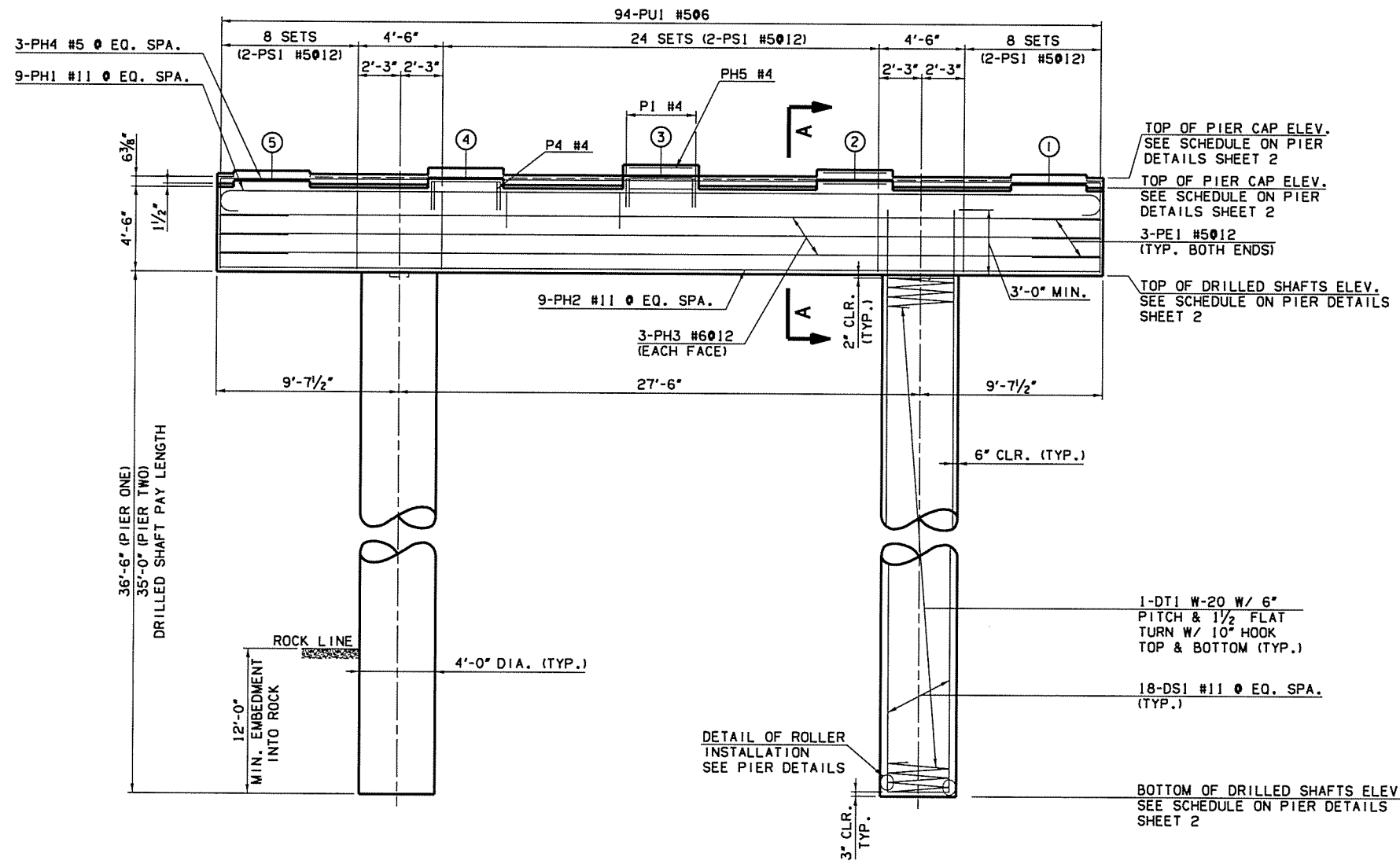


ODOT DIVISION	STATE	J/P PROJ NO	FISCAL YEAR	SHEET NO	TOTAL SHEETS
8	OKLA	27092(04)		59	143



PIER NO. 2 LOOKING UP STATION
PIER NO. 1 LOOKING DOWN STATION OPP. HAND
PLAN PIER NO. 1 AND NO. 2
SCALE: 1/4" = 1'-0"



- NOTE:**
- ADJUST PH BARS AS NEEDED TO PROVIDE A MINIMUM OF 4" CLEARANCE FOR TREMIE AND CLEARANCE FOR ANCHOR BOLTS.
 - FOR BEARINGS SEE ODOT STD. B40-1-BRG-RB

END VIEW
SCALE: 1/4" = 1'-0"

ELEVATION
SCALE: 1/4" = 1'-0"

Design	MKR	6/16	US 169 OVER OPOSSUM CREEK BRIDGE A PIER DETAILS (SHEET 1 OF 2)	NOWATA COUNTY
Drawn	RAH	6/16		
Checked	DAS	6/16		
Approved	SAK	6/16		
Squad	BENHAM			

Job Piece No. 27092(04) Sheet No. 59