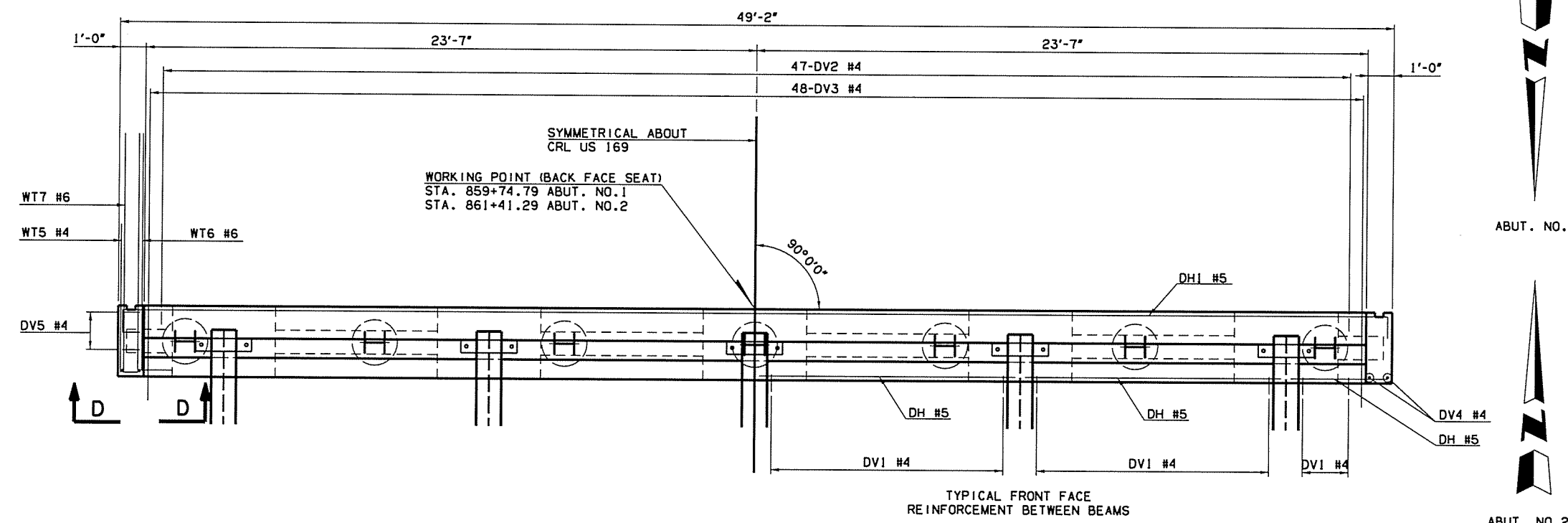


7/12/2016

llr264f2 AM

P:\E\1650-TUL\ACIV\255231000-000T-US169BR-dg\20\_DESGN\40\_CAD\_Opossum\DDNS\BRIDGE\27092(04)\_S.L.Adic.L2-0.dgn

DOT DIVISION	STATE	J/P PROJ NO	FISCAL YEAR	SHEET NO	TOTAL SHEETS
8	OKLA	27092(04)		56	143

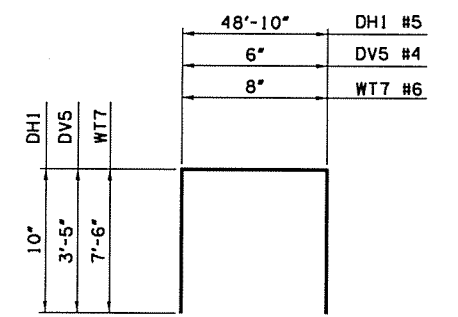


### ABUTMENT DIAPHRAGM BAR LIST

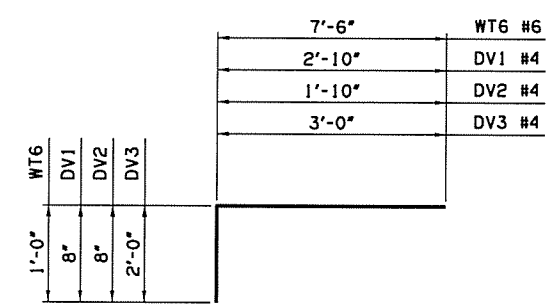
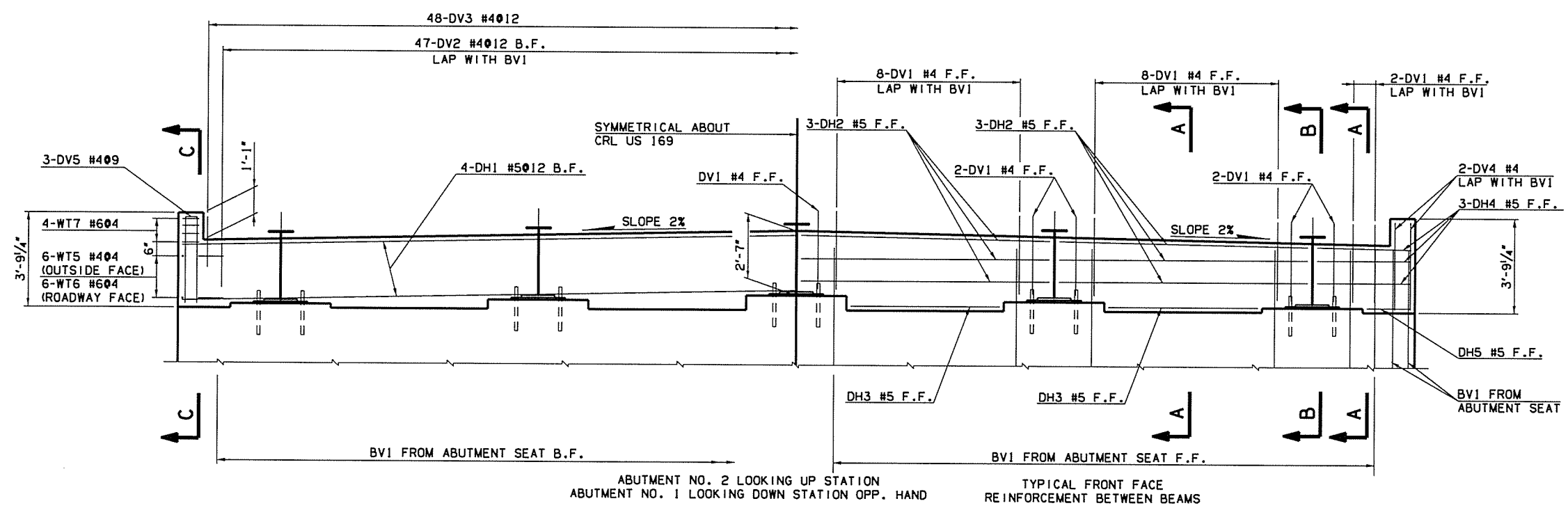
(ONE DIAPHRAGM SHOWN, TWO REQUIRED)

EPOXY COATED REINFORCING					
MARK	SIZE	QTY.	FORM	LENGTH	REMARKS
DV1	#4	46	BNT	3'-6"	
DV2	#4	47	BNT	2'-6"	
DV3	#4	48	BNT	5'-0"	
DV4	#4	4	STR	3'-5"	
DV5	#4	6	BNT	7'-4"	
DH1	#5	4	BNT	50'-6"	
DH2	#5	12	STR	9'-11"	
DH3	#5	4	STR	5'-11"	
DH4	#5	6	STR	3'-9"	
DH5	#5	2	STR	1'-9"	
WT5	#4	12	STR	5'-9"	
WT6	#6	12	BNT	8'-6"	
WT7	#6	8	BNT	15'-8"	

ABUTMENT NO. 2 LOOKING UP STATION  
 ABUTMENT NO. 1 LOOKING DOWN STATION OPP. HAND  
**PLAN - ABUTMENT DIAPHRAGM**  
 SCALE: 3/8" = 1'-0"



DH1 #5 X 50'-6"  
 DV5 #4 X 7'-4"  
 WT7 #6 X 15'-8"



WT6 #6 X 8'-6"  
 DV1 #4 X 3'-6"  
 DV2 #4 X 2'-6"  
 DV3 #4 X 5'-0"

ABUTMENT NO. 2 LOOKING UP STATION  
 ABUTMENT NO. 1 LOOKING DOWN STATION OPP. HAND  
**ELEVATION**  
 SCALE: 3/8" = 1'-0"

F.F. = FRONT FACE  
 B.F. = BACK FACE

Design	STF	6/16	US 169 OVER OPOSSUM CREEK	NOWATA COUNTY
Drawn	RAH	6/16	BRIDGE A	
Checked	DAS	6/16	<b>ABUTMENT DETAILS</b>	
Approved	SAK	6/16	<b>(SHEET 2 OF 4)</b>	
Squad	BENHAM		Job Piece No. 27092(04)	Sheet No. 56