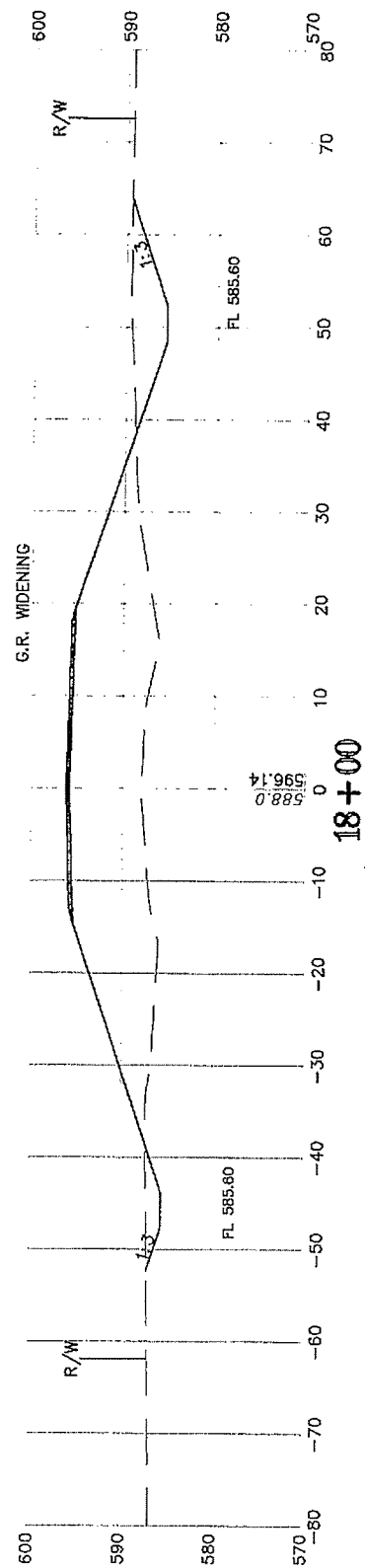
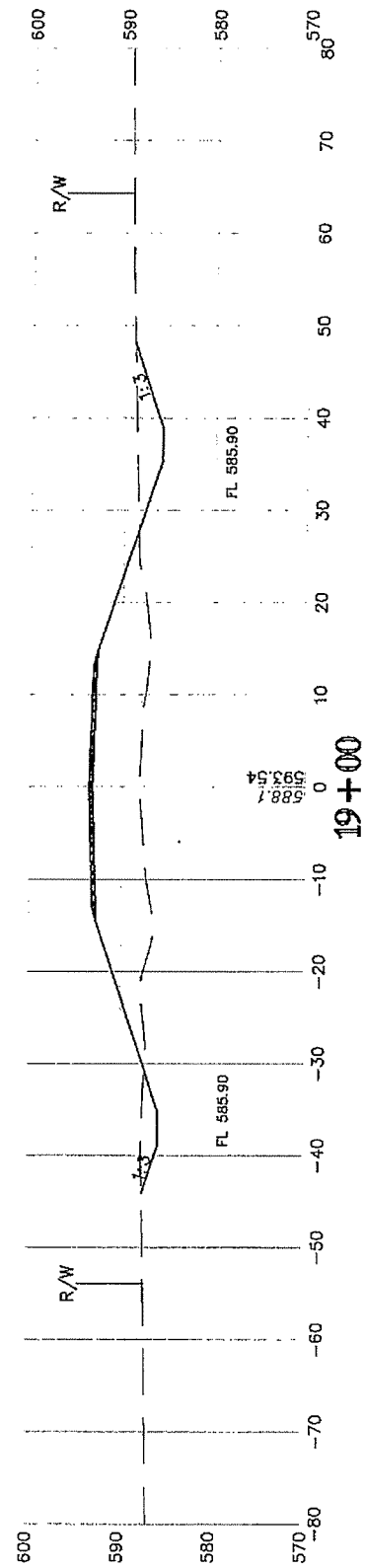
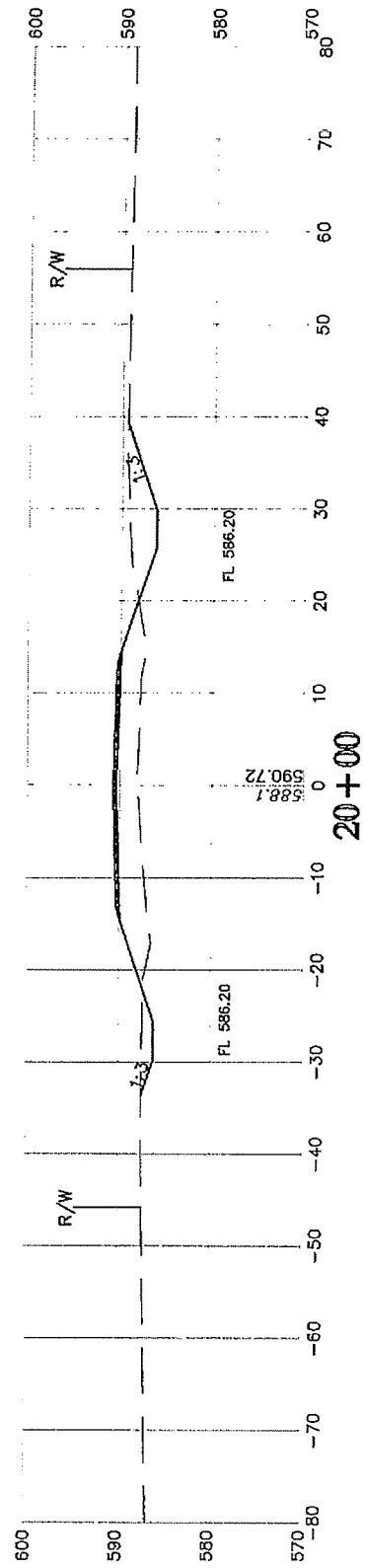
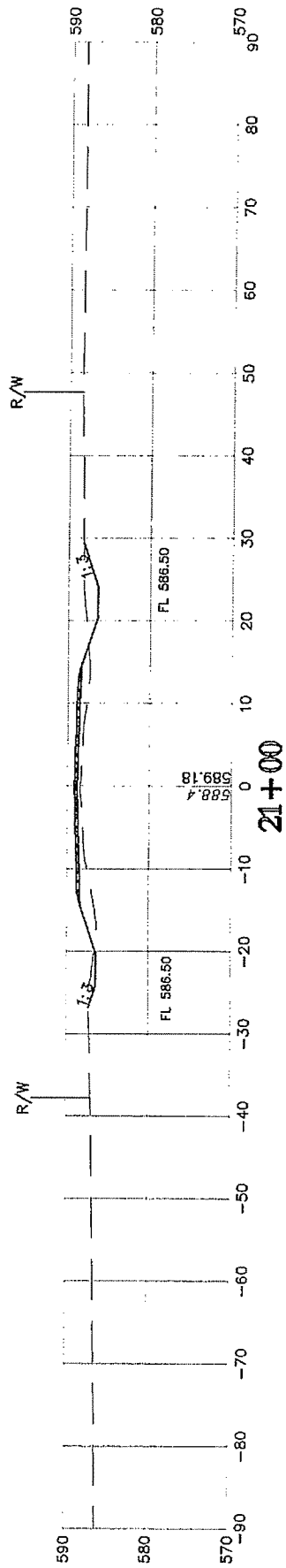
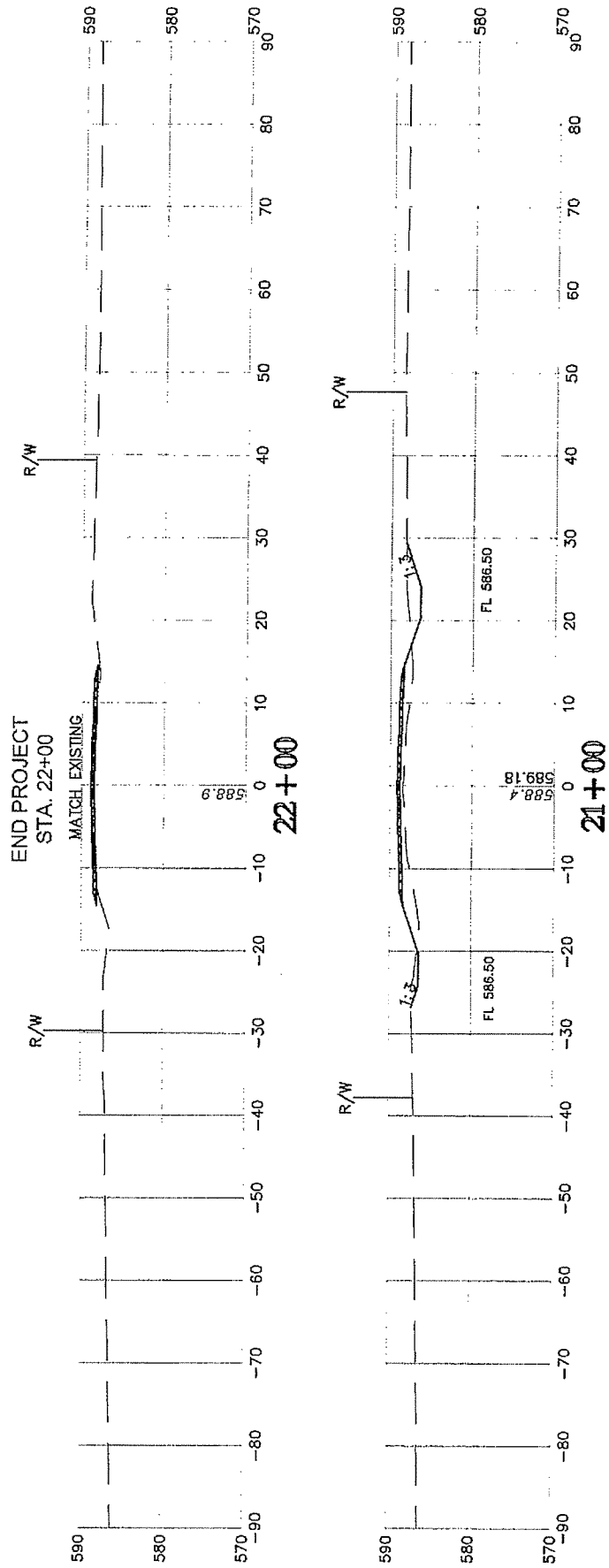


NOTE:
 LOCATION OF UTILITIES ARE
 APPROXIMATE. DEPTH OF UTILITIES
 IS UNKNOWN.

CLOUD CREEK EARTHWORK TOTAL VOLUME						
STATION	FILL AREA	CUT AREA	FILL VOLUME	CUT VOLUME	CUMULATIVE FILL VOL	CUMULATIVE CUT VOL
10+50.00	0.00 SF	0.00 SF	0.00 CY	0.00 CY	0.00 CY	0.00 CY
11+00.00	2.38 SF	49.41 SF	2.21 CY	45.75 CY	2.21 CY	45.75 CY
12+00.00	21.43 SF	47.29 SF	44.09 CY	179.08 CY	46.30 CY	224.83 CY
13+00.00	96.64 SF	23.53 SF	218.65 CY	131.15 CY	264.95 CY	355.98 CY
13+40.00	148.21 SF	14.42 SF	181.37 CY	28.11 CY	446.32 CY	384.09 CY
14+00.00	249.43 SF	6.21 SF	441.82 CY	22.92 CY	888.14 CY	407.02 CY
15+00.00	427.03 SF	8.08 SF	1252.70 CY	26.47 CY	2140.84 CY	433.49 CY
15+55.87	751.15 SF	28.77 SF	1218.97 CY	38.13 CY	3359.81 CY	471.61 CY
15+81.50	0.00 SF	0.00 SF	356.52 CY	13.65 CY	3716.32 CY	485.27 CY
16+79.00	0.00 SF	0.00 SF	0.00 CY	0.00 CY	3716.32 CY	485.27 CY
16+92.13	716.10 SF	13.87 SF	174.12 CY	3.37 CY	3890.44 CY	488.64 CY
17+00.00	662.35 SF	13.87 SF	200.90 CY	4.04 CY	4091.34 CY	492.68 CY
17+15.00	560.81 SF	24.30 SF	339.77 CY	10.60 CY	4431.11 CY	503.29 CY
17+30.00	583.63 SF	23.17 SF	317.90 CY	13.19 CY	4749.01 CY	516.47 CY
18+00.00	467.86 SF	70.37 SF	1363.03 CY	121.25 CY	6112.04 CY	637.72 CY
19+00.00	241.44 SF	48.44 SF	1313.51 CY	220.02 CY	7425.55 CY	857.74 CY
20+00.00	92.49 SF	43.67 SF	618.39 CY	170.58 CY	8043.94 CY	1028.32 CY
21+00.00	26.91 SF	15.98 SF	221.11 CY	110.46 CY	8265.06 CY	1138.78 CY
22+00.00	0.00 SF	0.00 SF	49.83 CY	29.59 CY	8314.89 CY	1168.37 CY


CUMULATIVE VOLUMES DO NOT INCLUDE SHRINK OR SWELL



DESCRIPTION	REVISION	DATE

CLOUD CREEK MUSKOGEE COUNTY
CROSS SECTIONS
 STATE OF OKLAHOMA DEPARTMENT OF TRANSPORTATION
 State J/P No. 31162(04)

Design	TE	10/14
Detail	DC	10/14
Check	TE	10/14


 HOLLOWAY
 UPDIKE &
 BELLMAN, INC.
 CONSULTANTS

Sheet No. X3