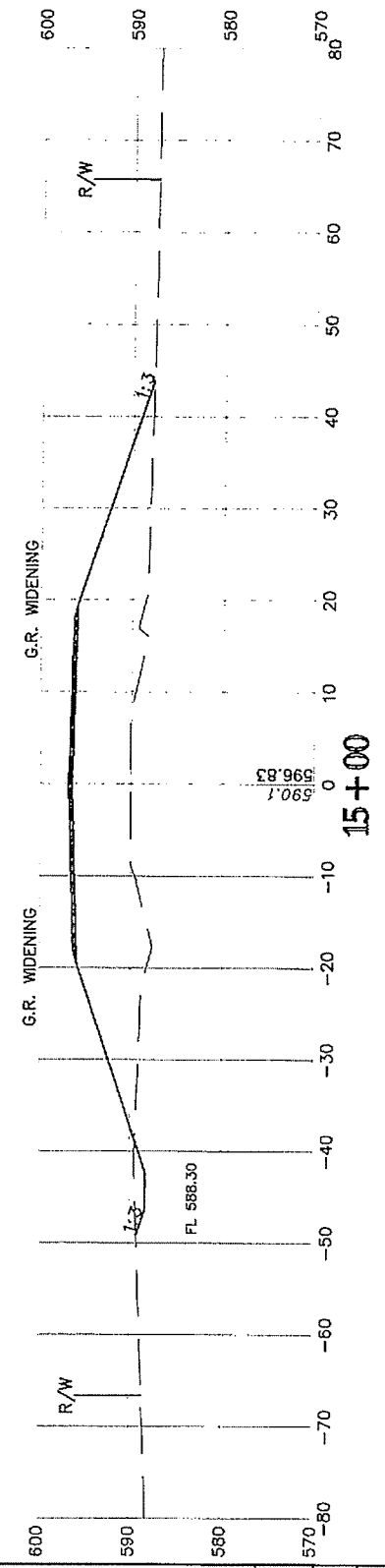
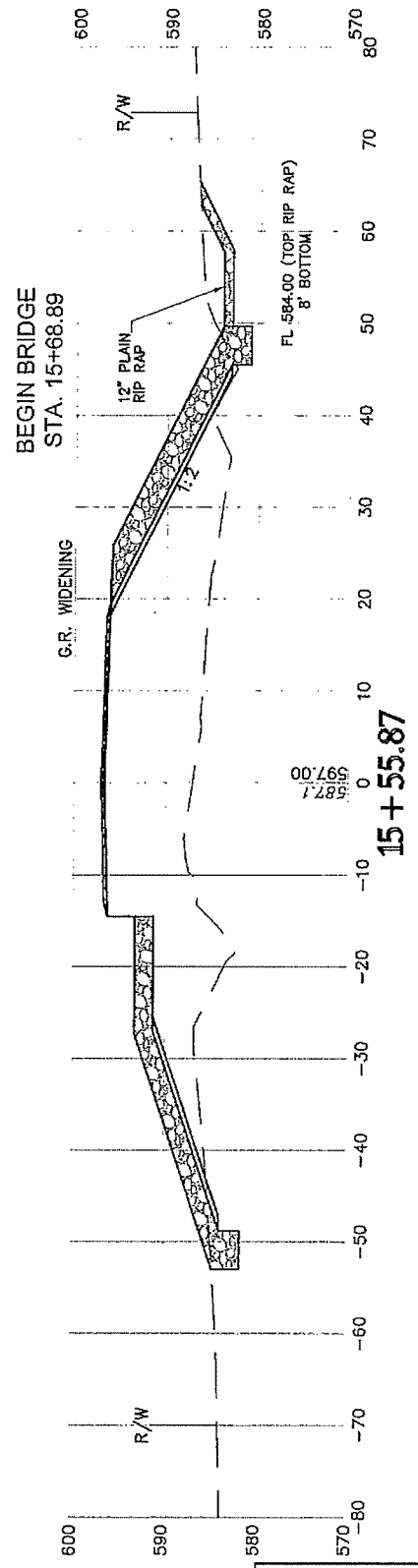
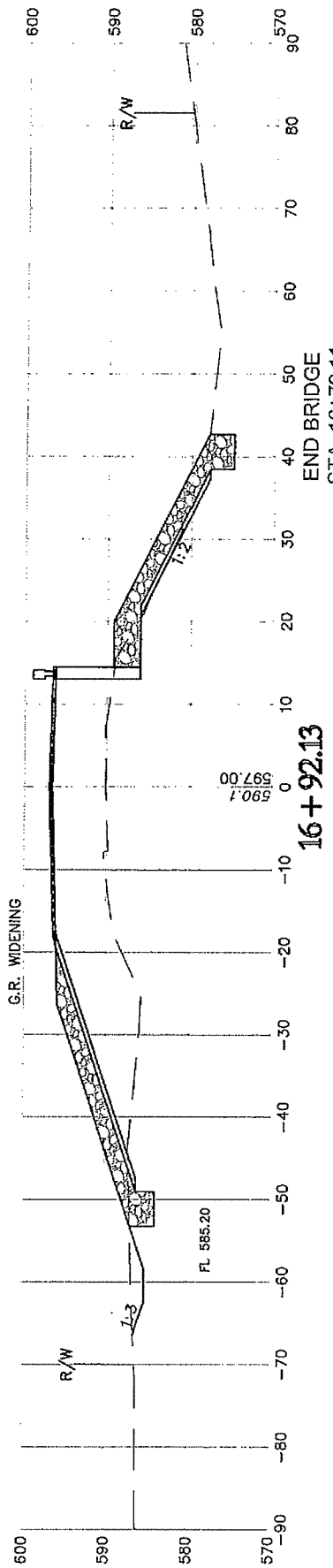
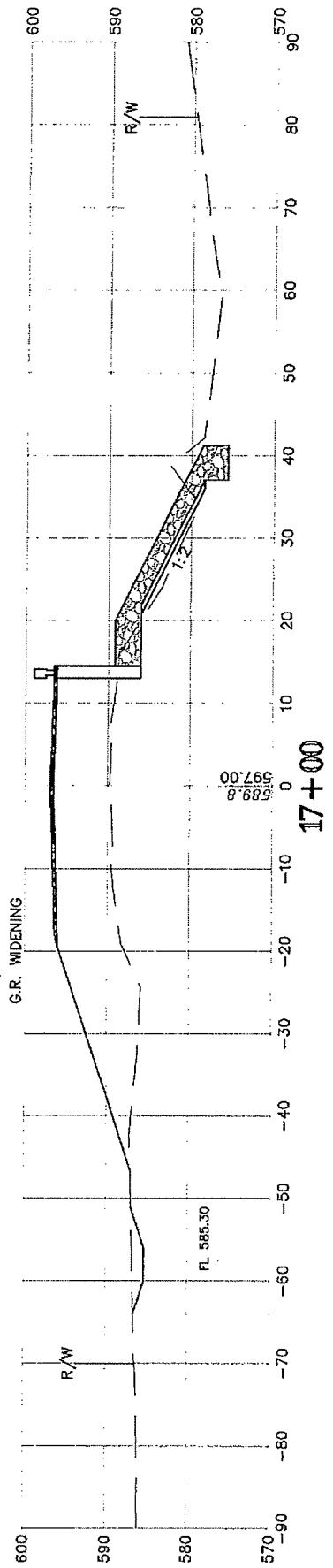
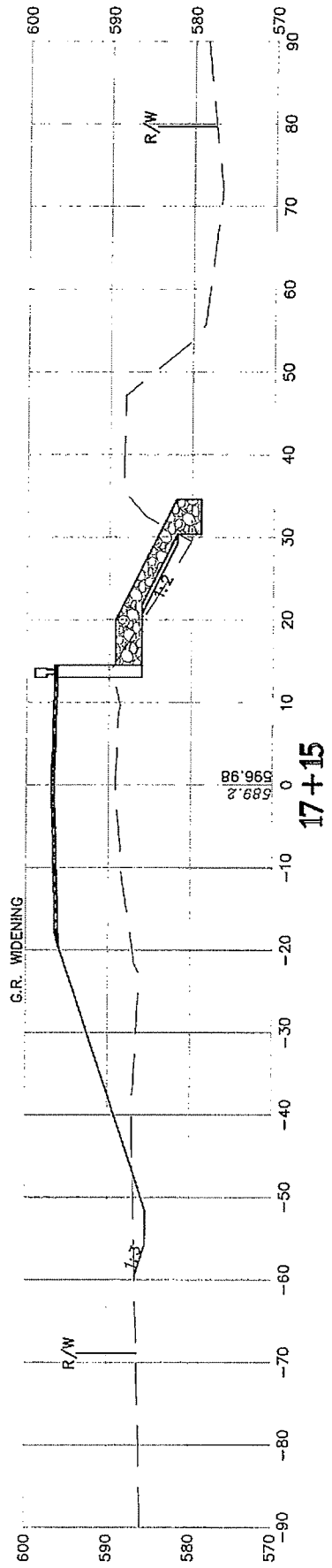
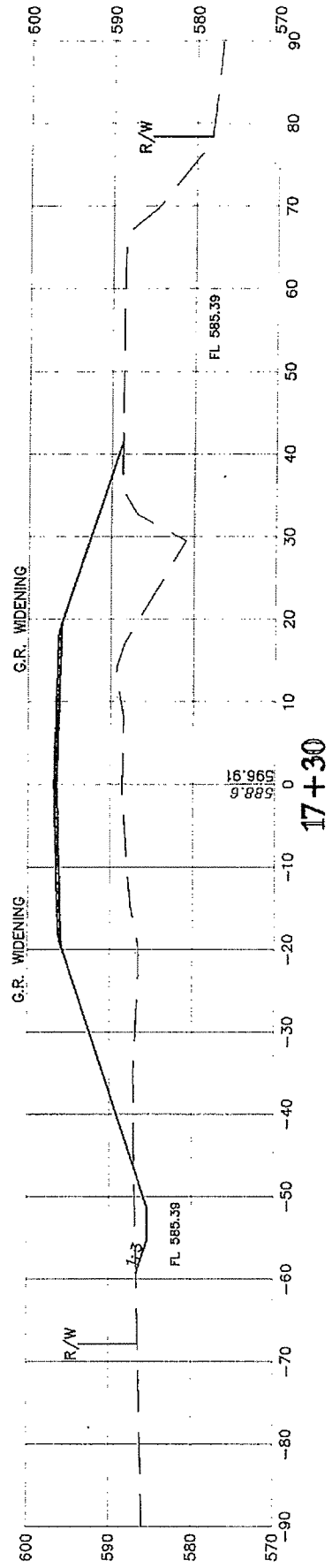


NOTE:
 LOCATION OF UTILITIES ARE
 APPROXIMATE. DEPTH OF UTILITIES
 IS UNKNOWN.



DESCRIPTION	REVISION	DATE

CLOUD CREEK MUSKOGEE COUNTY

CROSS SECTIONS

Design	TE	10/14
Detail	DC	10/14
Check	TE	10/14

STATE OF OKLAHOMA DEPARTMENT OF TRANSPORTATION
 State J/P No. 31162(04)

HOLLOWAY ENGINEERING & DESIGN, INC.
 Sheet No. X2