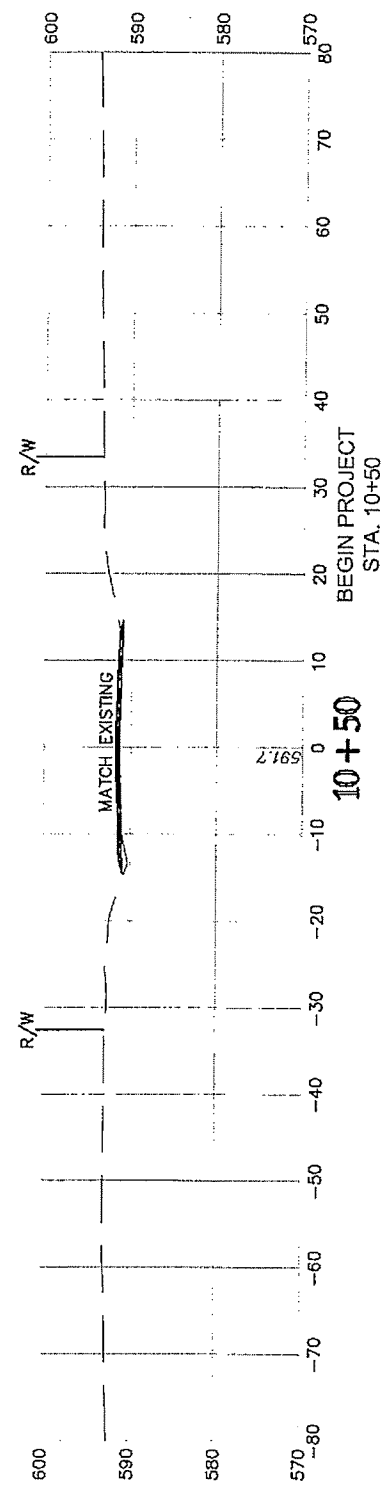
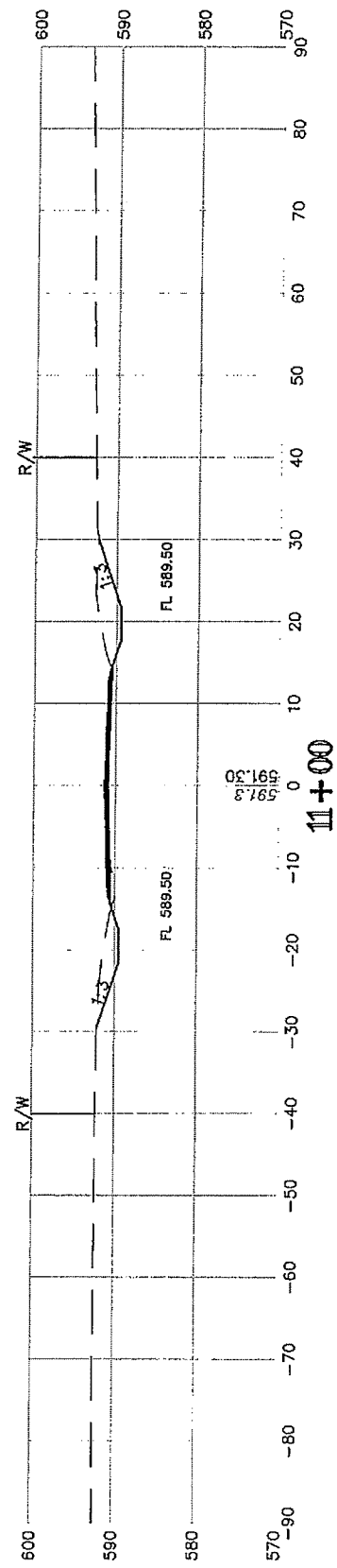
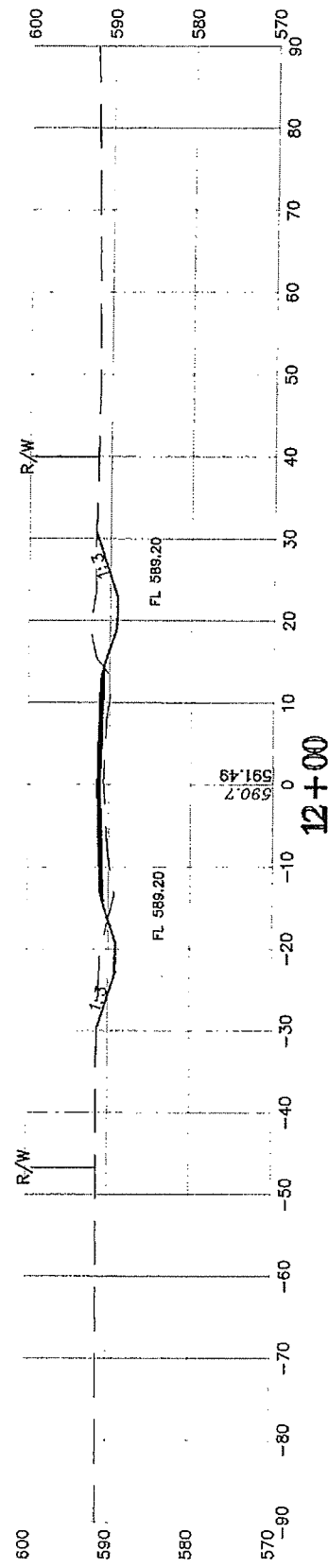
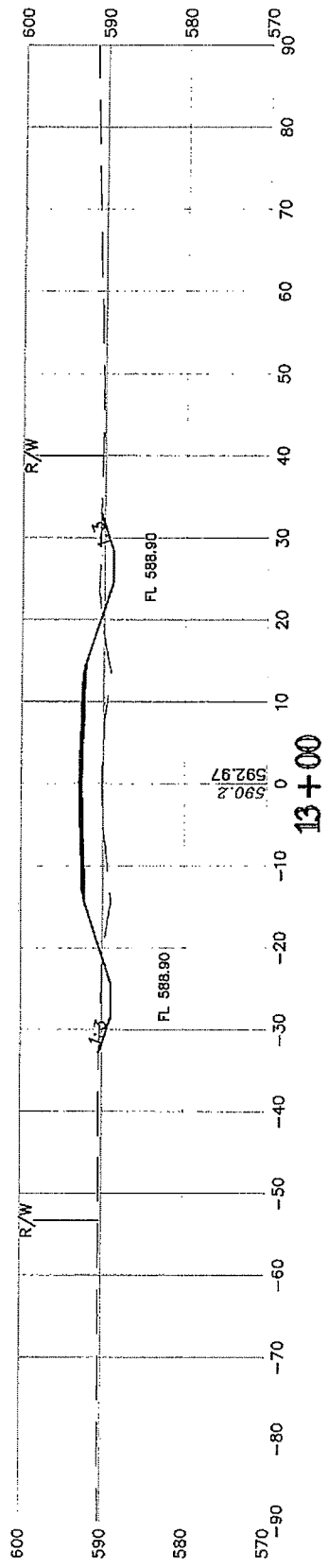
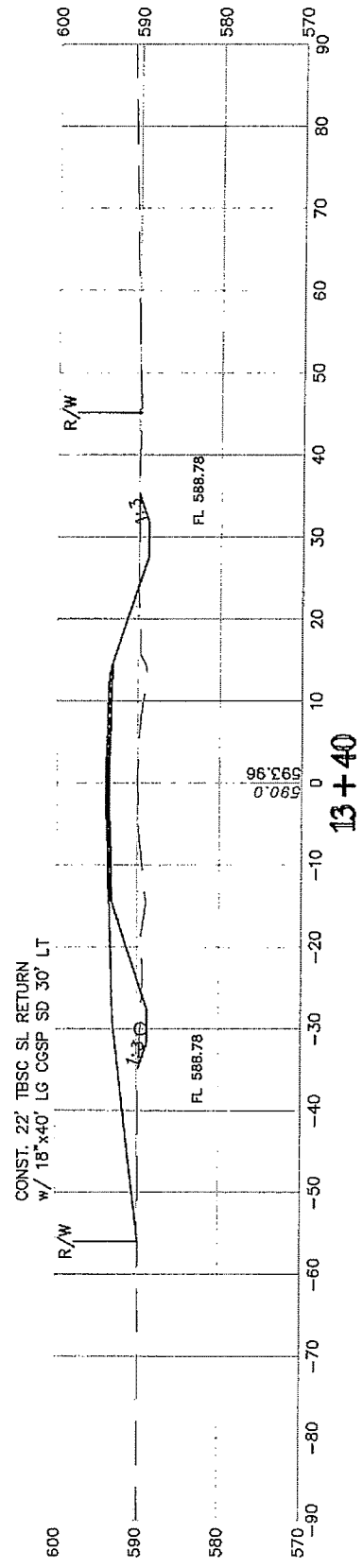
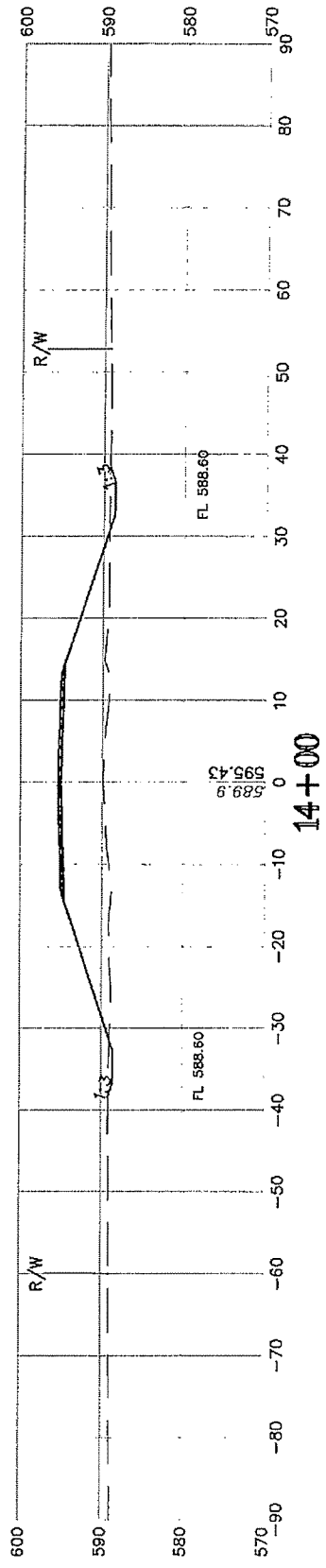


NOTE:
 LOCATION OF UTILITIES ARE
 APPROXIMATE. DEPTH OF UTILITIES
 IS UNKNOWN.



DESCRIPTION	REVISION	DATE

CLOUD CREEK MUSKOGEE COUNTY CROSS SECTIONS	Design	TE	10/14
	Detail	OC	10/14
	Check	TE	10/14
		HOLLOWAY URBIKE & BELEN, INC.	
STATE OF OKLAHOMA DEPARTMENT OF TRANSPORTATION		State J/P No. 31162(04)	
			Sheet No. X1