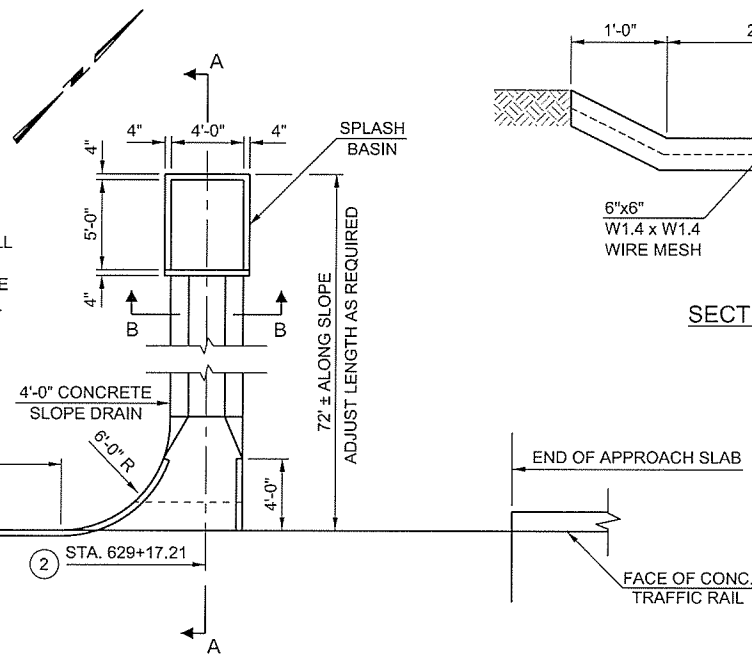
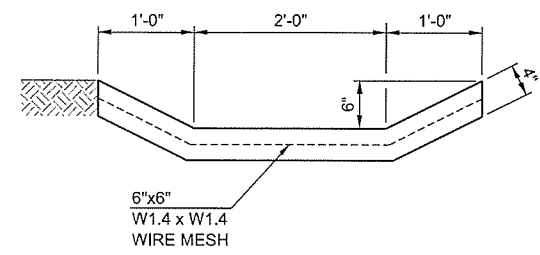


- ① FOR ADDITIONAL DETAILS, SEE STD. THRI-1
- ② DRAIN LOCATION MAY BE ADJUSTED BY ENGINEER IN THE FIELD
- ③ CONTRACTOR TO MATCH EXISTING SLOPE

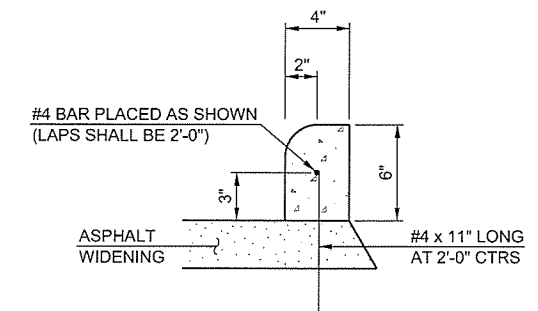
NOTE
 SLOPE DRAINS, SPLASH BASINS, AND CURBS (6" TALL x 4" WIDE CURBS) SHALL BE CONSTRUCTED USING CLASS "C" CONCRETE AS SHOWN ON THIS SHEET. ALL COSTS OF THE SLOPE DRAINS, SPLASH BASINS, CURBS (6" TALL x 4" WIDE CURBS), CURB REINFORCING STEEL AND CLEARING AND EXCAVATION SHALL BE INCLUDED IN THE BRIDGE PAY ITEM FOR "CLASS "C" CONCRETE".



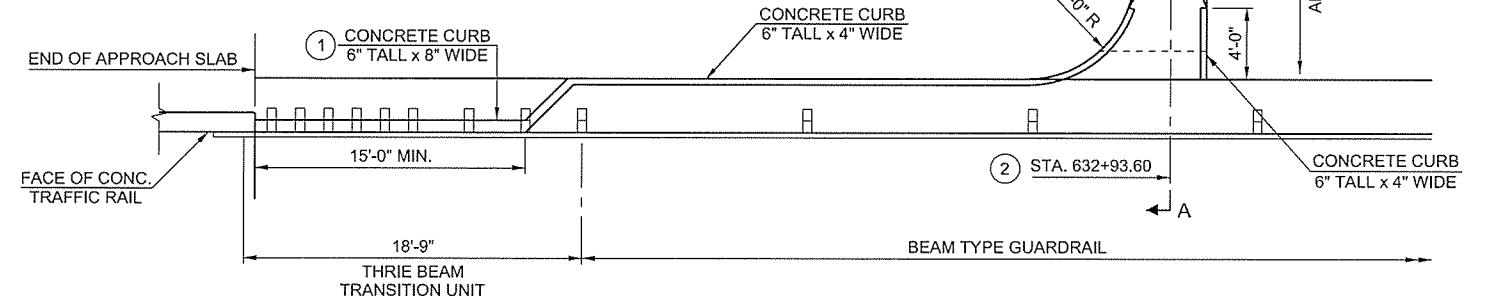
LAYOUT OF DRAIN PLAN
 NW CORNER OF BRIDGE "A"



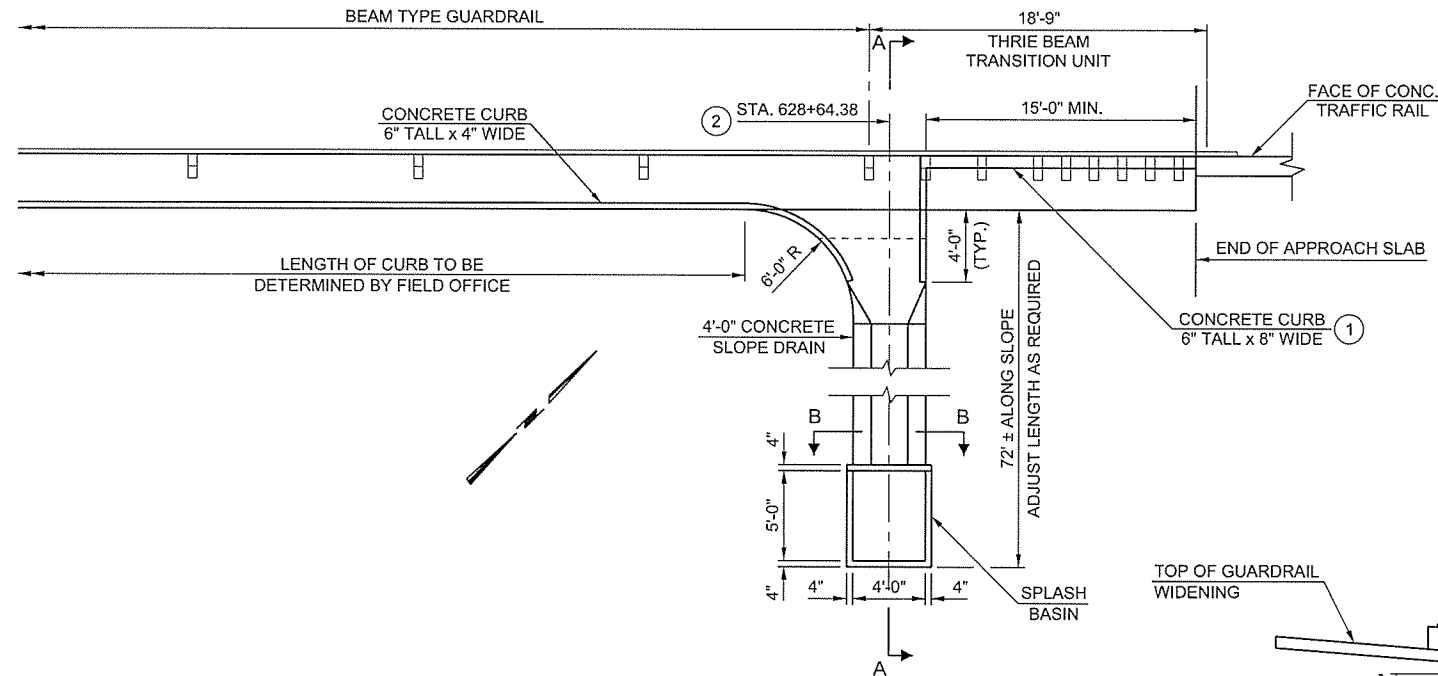
SECTION B-B



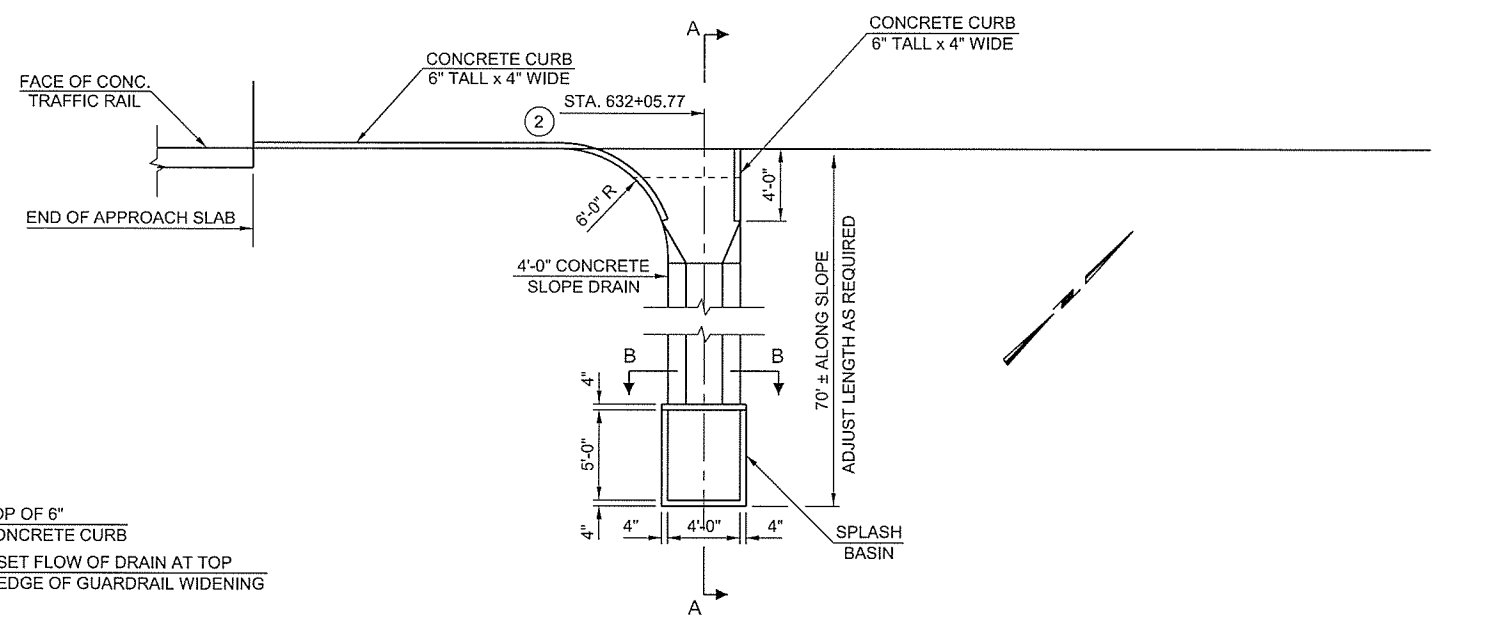
DETAIL OF CONCRETE CURB



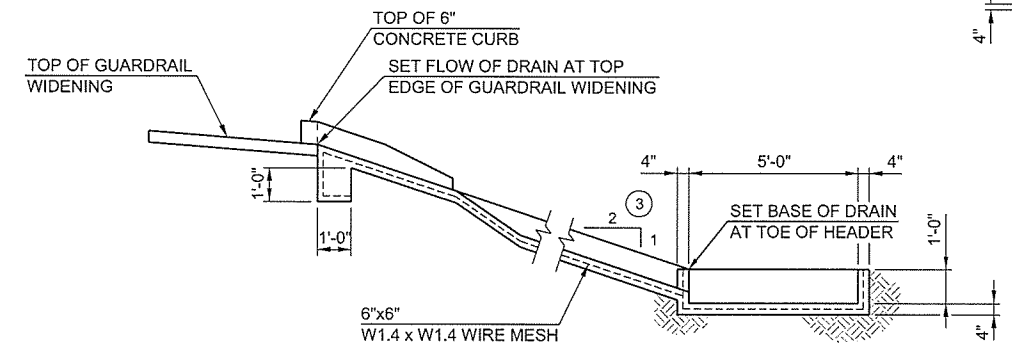
LAYOUT OF DRAIN PLAN
 NE CORNER OF BRIDGE "A"



LAYOUT OF DRAIN PLAN
 SW CORNER OF BRIDGE "B"



LAYOUT OF DRAIN PLAN
 SE CORNER OF BRIDGE "B"



SECTION A-A
 (GUARDRAIL NOT SHOWN FOR CLARITY)

DESIGN	GDD	OKLAHOMA DEPARTMENT OF TRANSPORTATION DETAILS OF DRAINS AT END OF BRIDGE STATE JOB NO. 29572(04) SHEET NO. 29
DRAWN	ZTF	
CHECKED	JTK	
APPROVED		
SQUAD	MacArthur	