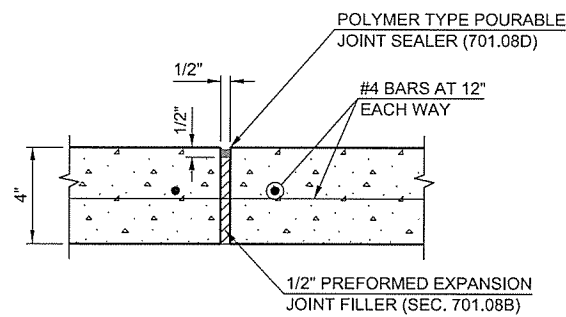
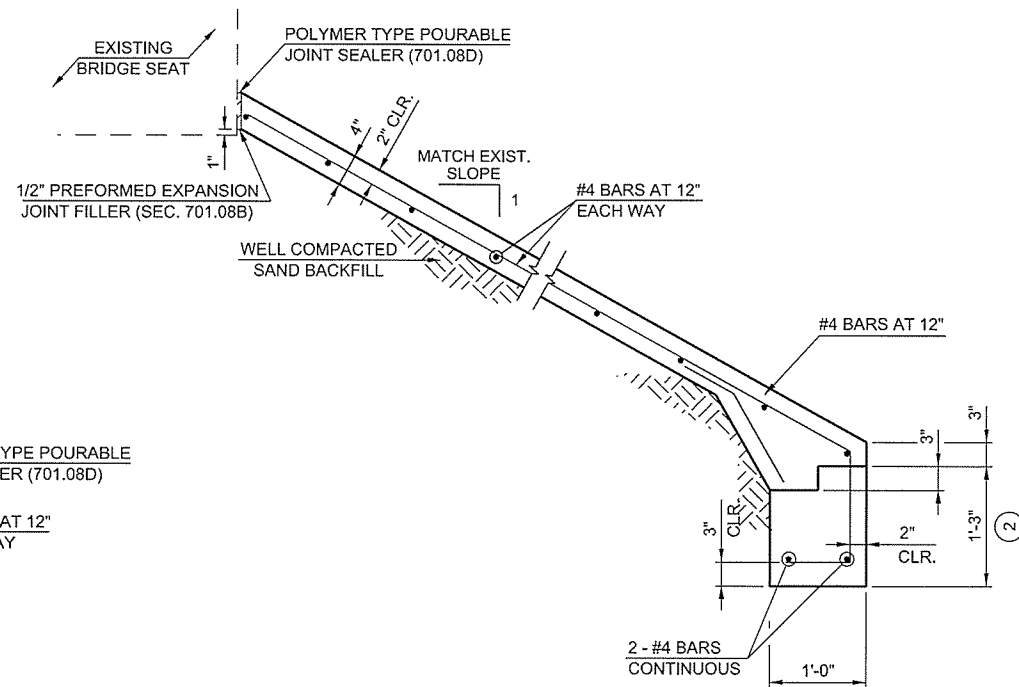
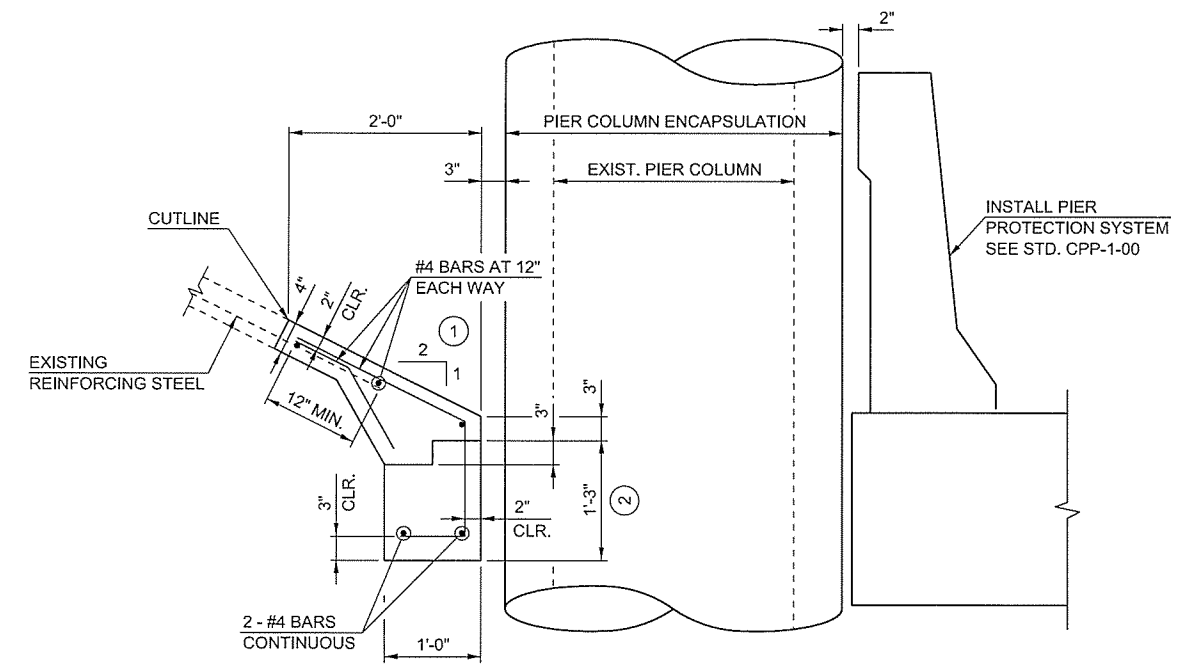


**PLAN**  
BRIDGE "A" SHOWN, BRIDGE "B" OPPOSITE HAND



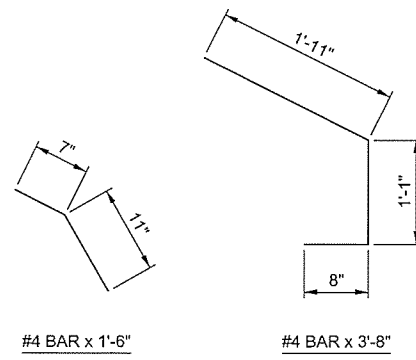
**DETAIL OF CONSTRUCTION JOINT**

**SLOPE WALL REPLACEMENT ③**  
4" CONC. SLOPE WALL



**SECTION A-A**

- ① MATCH EXISTING SLOPE
- ② SURFACE AREA OF TOE OF SLOPE WALL IS INCLUDED IN PAY QUANTITY SHOWN FOR SLOPE WALL
- ③ ALL COST NEEDED TO CONSTRUCT THE CONCRETE SLOPE WALL INCLUDING THE COST OF THE JOINT, BACKFILL, CONCRETE AND REINFORCING STEEL TO BE INCLUDED IN THE UNIT PRICE OF SLOPE WALL (4")



PRINT DATE: 7/15/2016 T:\1420\Drawings\Bridges\1420-slope01.dgn

S.H. 74 OVER I-35

McCLAIN CO.

DESIGN	GDD		<b>OKLAHOMA DEPARTMENT OF TRANSPORTATION</b>  <b>SLOPE WALL DETAILS</b>  STATE JOB NO. 29572(04) SHEET NO. 28
DRAWN	EMH		
CHECKED	JTK		
APPROVED			
SQUAD	MacArthur		