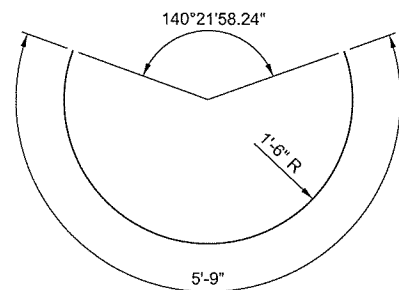
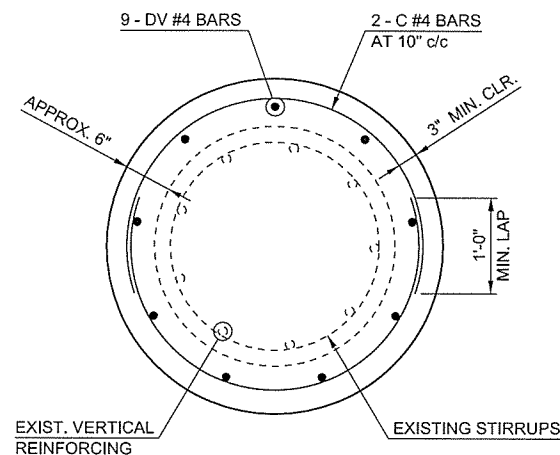


SECTION A-A

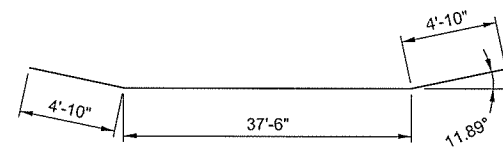
- ① AT PEDESTAL LOCATIONS, EXTEND ENCAPSULATION TO MATCH TOP OF EXISTING PEDESTAL
- ② SEAL CONSTRUCTION JOINT WITH HIGH MOLECULAR WEIGHT METHACRYLATE
- ③ PERFORM SUBSTRUCTURE REPAIRS BY SEALING CRACKS, REMOVE UNSOUND CONCRETE, THEN CHISEL OR SCARIFY FACE TO ROUGHEN EXISTING SURFACE



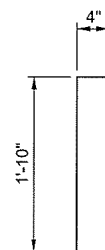
C #4 BARS x 5'-9"



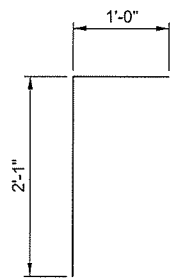
SECTION B-B



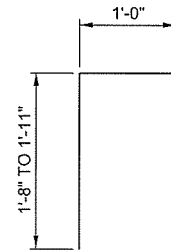
HW2 #4 X 47'-2"



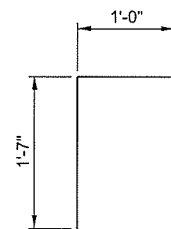
PW1 #4 X 4'-0"



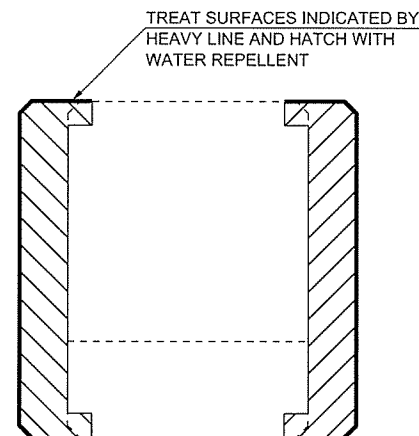
SW1 #4 X 3'-1"



SW2 #4 X 2'-10" AVG.



SW3 #4 X 2'-7"



WATER REPELLENT TREATMENT DETAIL

PIER CAP ENCAPSULATION BAR LIST - BRIDGE "A"					
(ONE SHOWN, 3 REQUIRED)					
MARK	SIZE	FORM	NO.	LENGTH	LENTGH VARIATION
HW1	#4	STR.	6	47'-8"	
HW2	#4	BNT.	2	47'-2"	
HW3	#4	BNT.	6	9'-2"	
PW1	#4	BNT.	24	4'-0"	
SW1	#4	BNT.	152	3'-1"	
[1] SW2	#4	BNT.	32	2'-10" AVG.	2'-8" TO 2'-11"
SW3	#4	BNT.	32	2'-7"	

[1] INCLUDES 4 SETS OF 8 BARS

PIER COLUMN ENCAPSULATION BAR LIST - BRIDGE "A"					
MARK	SIZE	FORM	NO.	LENGTH	LENTGH VARIATION
PIER NO. 1: LT., CTR., AND RT. COLUMNS (ONE SHOWN, THREE REQUIRED)					
C	#4	BNT.	44	5'-9"	
DV1	#4	STR.	9	18'-10"	
PIER NO. 2: LT., CTR., AND RT. COLUMNS (ONE SHOWN, THREE REQUIRED)					
C	#4	BNT.	28	5'-9"	
DV2	#4	STR.	9	10'-7"	
PIER NO. 3: LT. AND CTR. COLUMNS (ONE SHOWN, TWO REQUIRED)					
C	#4	BNT.	60	5'-9"	
DV3	#4	STR.	9	24'-10"	

PIER ENCAPSULATION QUANTITIES - BRIDGE "A"			
DESCRIPTION	UNIT	TOTAL	
UNCLASSIFIED EXCAVATION	CY	90.00	
CLASS AA CONCRETE	CY	43.00	
EPOXY COATED REINFORCING STEEL	LB	2,910.00	
WATER REPELLENT (VISUALLY INSPECTED)	SY	120.00	
PREPARATION OF CRACKS, ABOVE WATER	LF	30.00	
EPOXY RESIN, ABOVE WATER	GAL	3.00	
[2] (PL) REPAIR BRIDGE ITEM (TYPE A)	EA	5.00	

[2] FOR REPAIR DETAILS, SEE SHEET 12

NOTE  
PAY QUANTITY ITEMS FOR PIER PROTECTION SYSTEM NOT INCLUDED.

PIER CAP ENCAPSULATION BAR LIST - BRIDGE "B"					
(ONE SHOWN, 3 REQUIRED)					
MARK	SIZE	FORM	NO.	LENGTH	LENTGH VARIATION
HW1	#4	STR.	6	47'-8"	
HW2	#4	BNT.	2	47'-2"	
HW3	#4	BNT.	6	9'-2"	
SW1	#4	BNT.	152	3'-1"	
[1] SW2	#4	BNT.	32	2'-10" AVG.	2'-8" TO 2'-11"
SW3	#4	BNT.	32	2'-7"	

[1] INCLUDES 4 SETS OF 8 BARS

PIER COLUMN ENCAPSULATION BAR LIST - BRIDGE "B"					
MARK	SIZE	FORM	NO.	LENGTH	LENTGH VARIATION
PIER NO. 1: LT. COLUMN (ONE SHOWN, ONE REQUIRED)					
C	#4	BNT.	56	5'-9"	
DV4	#4	STR.	9	23'-10"	
PIER NO. 1: CTR. AND RT. COLUMNS (ONE SHOWN, TWO REQUIRED)					
C	#4	BNT.	52	5'-9"	
DV5	#4	STR.	9	21'-10"	
PIER NO. 2: LT., CTR. AND RT. COLUMNS (ONE SHOWN, THREE REQUIRED)					
C	#4	BNT.	30	5'-9"	
DV6	#4	STR.	9	11'-7"	
PIER NO. 3: LT., CTR. AND RT. COLUMNS (ONE SHOWN, THREE REQUIRED)					
C	#4	BNT.	38	5'-9"	
DV7	#4	STR.	9	16'-10"	

PIER ENCAPSULATION QUANTITIES - BRIDGE "B"			
DESCRIPTION	UNIT	TOTAL	
UNCLASSIFIED EXCAVATION	CY	100.00	
CLASS AA CONCRETE	CY	44.80	
EPOXY COATED REINFORCING STEEL	LB	3,040.00	
WATER REPELLENT (VISUALLY INSPECTED)	SY	120.00	
PREPARATION OF CRACKS, ABOVE WATER	LF	30.00	
EPOXY RESIN, ABOVE WATER	GAL	3.00	
[2] (PL) REPAIR BRIDGE ITEM (TYPE A)	EA	5.00	

[2] FOR REPAIR DETAILS, SEE SHEET 12

NOTE  
PAY QUANTITY ITEMS FOR PIER PROTECTION SYSTEM NOT INCLUDED.