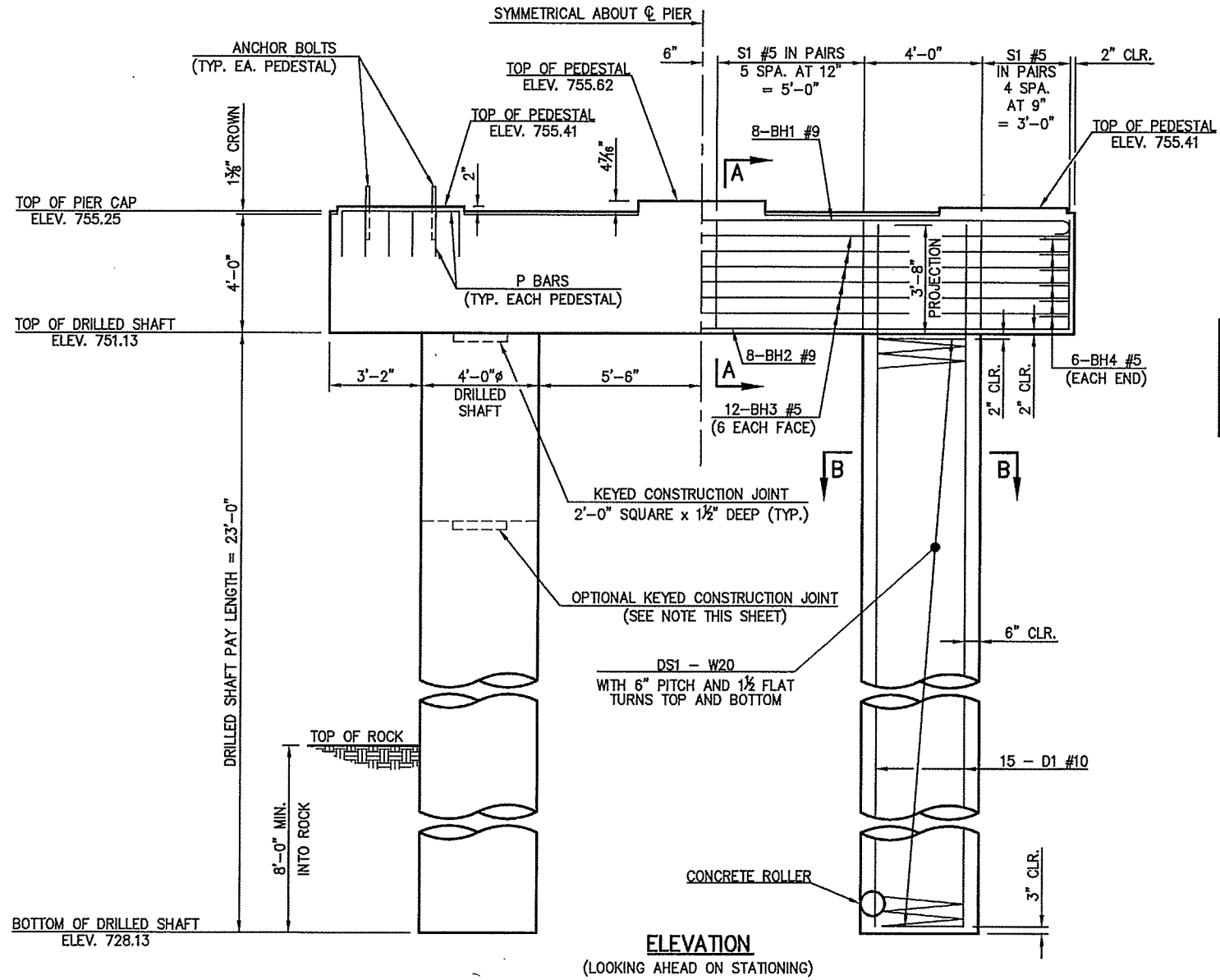
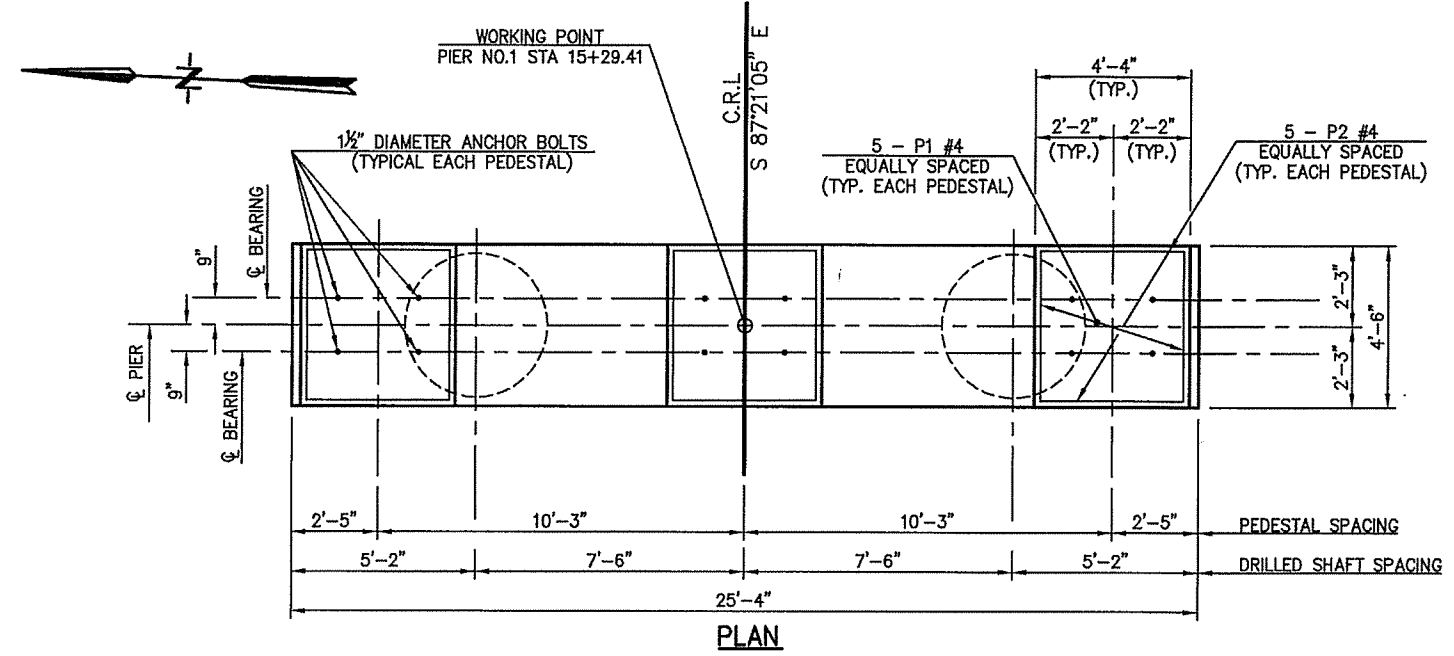


DESCRIPTION	REVISIONS	DATE



NOTE:  
INSTALL DRILLED SHAFTS AT LEAST THE SPECIFIED MINIMUM DISTANCE INTO ROCK. IN NO CASE SHALL THE BOTTOM OF THE DRILLED SHAFT BE HIGHER THAN THE BOTTOM OF DRILLED SHAFT ELEVATION SHOWN IN THE PLANS.

OPTIONAL KEYED CONSTRUCTION JOINT:  
AT HIS OPTION, THE CONTRACTOR MAY ELECT TO FORM A KEYED CONSTRUCTION JOINT A MINIMUM OF 1' ABOVE THE NATURAL GROUND LINE. THE PORTION OF SHAFT ABOVE THE OPTIONAL KEYED CONSTRUCTION JOINT SHALL BE FORMED AND POURED, AND SHALL BE PAID FOR AT THE UNIT PRICE PER LINEAR FOOT OF DRILLED SHAFT.

PIER QUANTITIES		
ITEM	UNIT	TOTAL
CLASS A CONCRETE	C.Y.	17.80
REINFORCING STEEL	LB.	2,620.00
DRILLED SHAFTS 48" DIAMETER	LF.	46.00

5-18-2016  
 GUY ENGINEERING SERVICES, INC.  
 Certificate of Authorization No. 1427  
 Renewal Date: June 30, 2018

E330 OVER WHITE WATER CREEK BRIDGE "A"	DELAWARE COUNTY	Design	MBS	05/16
BRIDGE PIER DETAILS (SHEET NO. 1 OF 2)		Detail	MZV	05/16
		Check	MBS	05/16
		Spced. Eng.		
STATE OF OKLAHOMA	GUY ENGINEERING SERVICES, INC.	JOB PEEDE NO. 32598(04)	SHEET NO. 09	