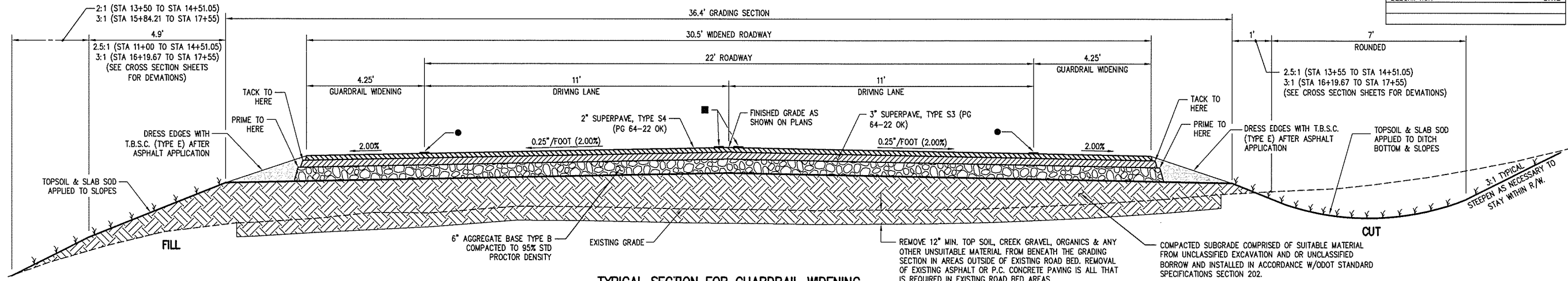




CA 4716 (PELS) EXPIRES 6/30/2017

| DESCRIPTION | REVISIONS | DATE |
|-------------|-----------|------|
| | | |



TYPICAL SECTION FOR GUARDRAIL WIDENING

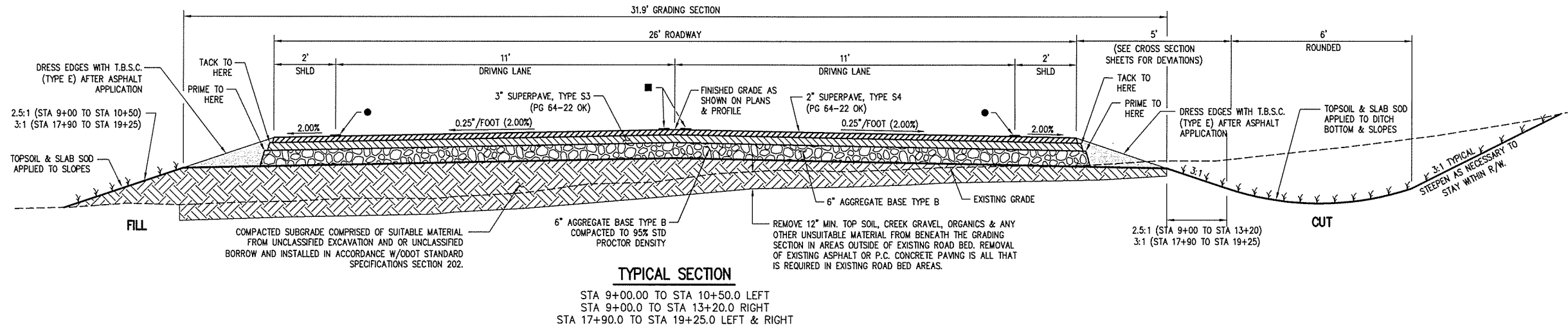
STA 11+00.00 TO STA 14+52.83 LEFT
STA 13+55.00 TO STA 14+52.83 RIGHT
STA 16+06.00 TO STA 17+55.0 LEFT & RIGHT

TRANSITION NOTES:

STA 8+50 TO STA 9+00 TRANSITION FROM EXISTING ROADWAY SECTION TO TYPICAL SECTION.
STA 10+50 TO STA 11+00 TRANSITION LEFT LANE FROM TYPICAL SECTION TO TYPICAL SECTION FOR GUARDRAIL WIDENING, BY VARYING SHOULDER WIDTH.
STA 13+20 TO STA 13+55 TRANSITION RIGHT LANE FROM TYPICAL SECTION TO TYPICAL SECTION FOR GUARDRAIL WIDENING, BY VARYING SHOULDER WIDTH.
STA 17+55 TO STA 17+90 TRANSITION FROM TYPICAL SECTION FOR GUARDRAIL WIDENING TO TYPICAL SECTION, BY VARYING SHOULDER WIDTH.
STA 19+25 TO STA 19+75 TRANSITION FROM TYPICAL SECTION TO EXISTING ROADWAY SECTION.

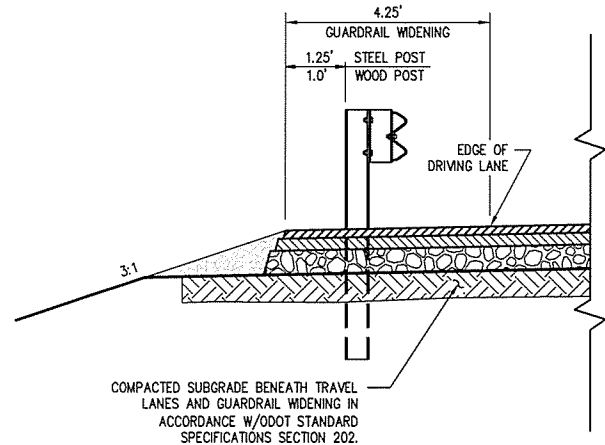
LEGEND

- 4" YELLOW TRAFFIC STRIPE
- 4" WHITE TRAFFIC STRIPE



TYPICAL SECTION

STA 9+00.00 TO STA 10+50.0 LEFT
STA 9+00.0 TO STA 13+20.0 RIGHT
STA 17+90.0 TO STA 19+25.0 LEFT & RIGHT



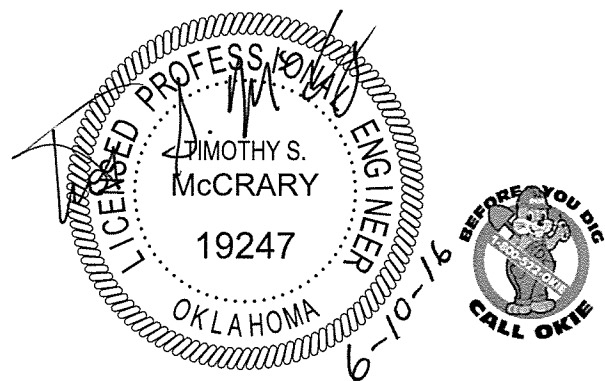
GUARDRAIL PLACEMENT
N.T.S.

NOTES:

THE CONTRACTOR SHALL STRIP ALL THE AVAILABLE TOPSOIL, STOCKPILE IT, AND PLACE IT BACK ON THE SECTION IN ACCORDANCE WITH SECTIONS 201 AND 205 OF THE STANDARD SPECIFICATIONS. RESERVE TOPSOIL SHALL BE SPREAD APPROX. 5 INCHES THICK, FIRST ON COMPLETED BACKSLOPES OF CUT SECTIONS AND THE REMAINDER ON COMPLETED FILL SLOPES OR OTHER PRIORITY AREAS LOCATED BY THE ENGINEER. ALL ADDITIONAL COSTS ASSOCIATED WITH OPERATION SHALL BE INCLUDED IN THE PAY ITEM FOR SALVAGED TOPSOIL, LUMP SUM. PRICE BID TO INCLUDE COST OF 18-46-0 FERTILIZER, ESTIMATED AT 150 LBS PER ACRE ON WHICH TOPSOIL IS REPLACED.

THE GRADING LINE AS SHOWN ON THE TYPICAL AND CROSS SECTIONS, IS THE TOP OF THE TOPSOIL. EARTHWORK QUANTITIES WERE NOT ADJUSTED FOR SALVAGE AND THE TOPSOIL QUANTITY IS INCLUDED IN THE MASSLINE BALANCE.

COMPACTED FILL SHALL BE COMPRISED, PLACED AND COMPACTED IN ACCORDANCE WITH SECTIONS 202 AND 209 OF THE STANDARD SPECIFICATIONS.



| | | | | |
|----------|-----|------|-------------------------|---------------------------------------|
| Design | GLB | 4/16 | DELAWARE COUNTY | WHITE WATER CREEK BRIDGE |
| Drawn | JDF | 6/16 | TYPICAL SECTIONS | |
| Checked | TSM | 6/14 | | |
| Approved | | | | |
| Squad | | | County: DELAWARE | Project No. J/P 32598(04) Sheet No. 2 |