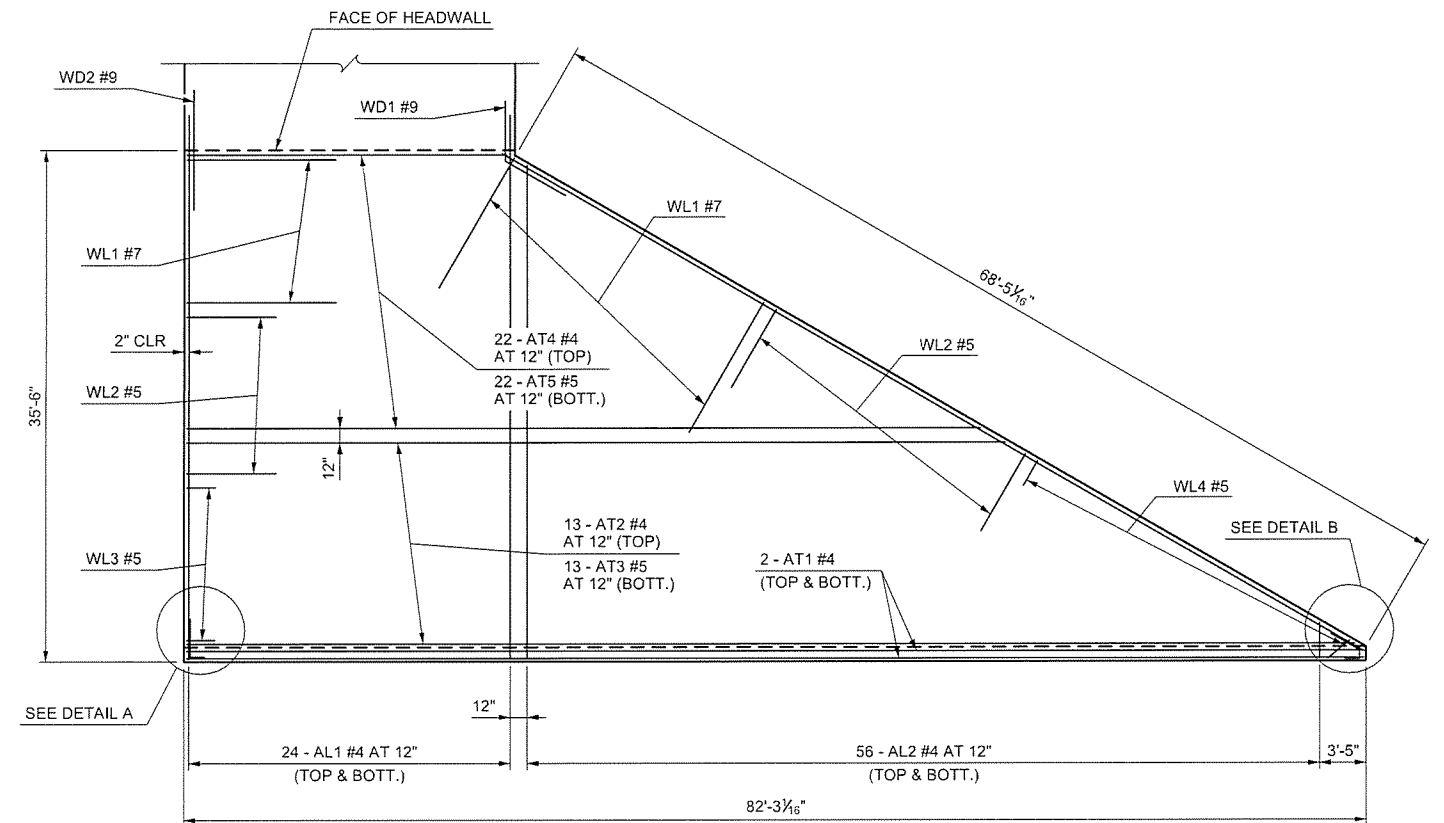
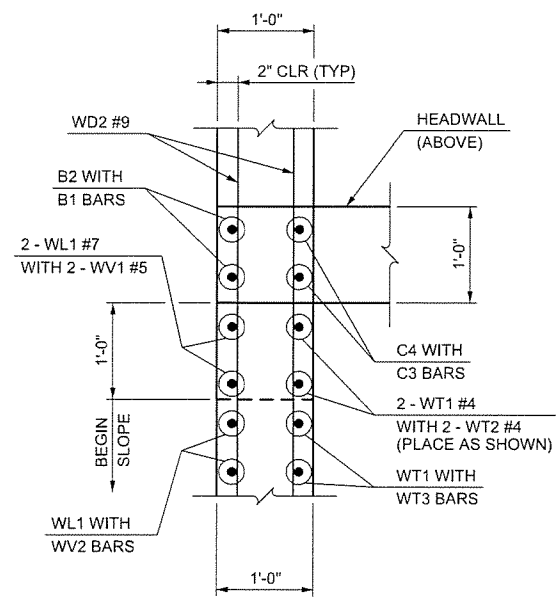


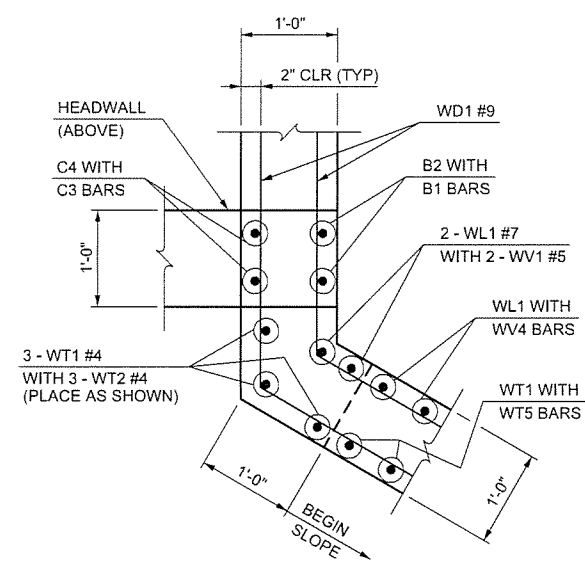
END SECTION PLAN



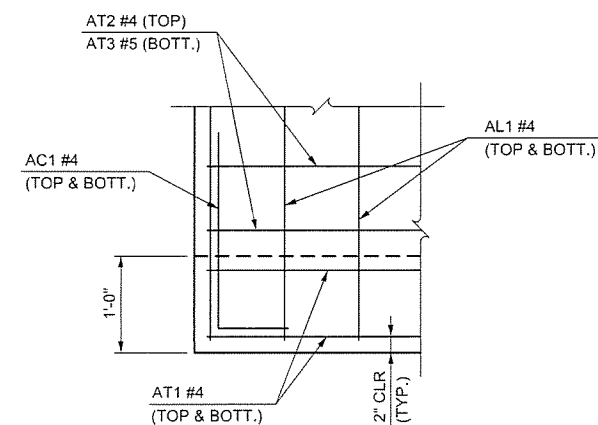
APRON REINFORCING



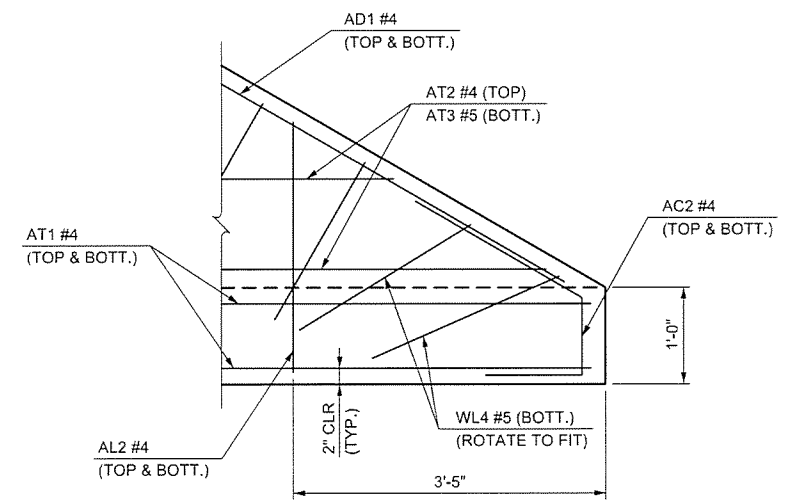
PLAN OF SHORT WING AT BARREL



PLAN OF LONG WING AT BARREL



DETAIL A



DETAIL B

6/16/2016 End_Section I.4.dgn

PREPARED BY:
THE SCHEMMER ASSOCIATES
FIRM C. A. 5964

STEPHEN D. KATHOL, P.E.
OKLA. REG. NO. 24623

DATE

REGISTERED PROFESSIONAL ENGINEER
STEPHEN D. KATHOL
24623
C.E. 11/19/87

DESIGN	MKR	I-16	S.H.-16 OVER CHICKEN CREEK
DRAWN	MKR	I-16	BRIDGE "A"
CHECKED	DGB	I-16	RIGHT END SECTION DETAILS
APPROVED			(SHEET 1 OF 4)
SQUAD	SCHEMMER		STATE JOB NO. 28858(04) SHEET NO. 48
			CREEK COUNTY SH-16