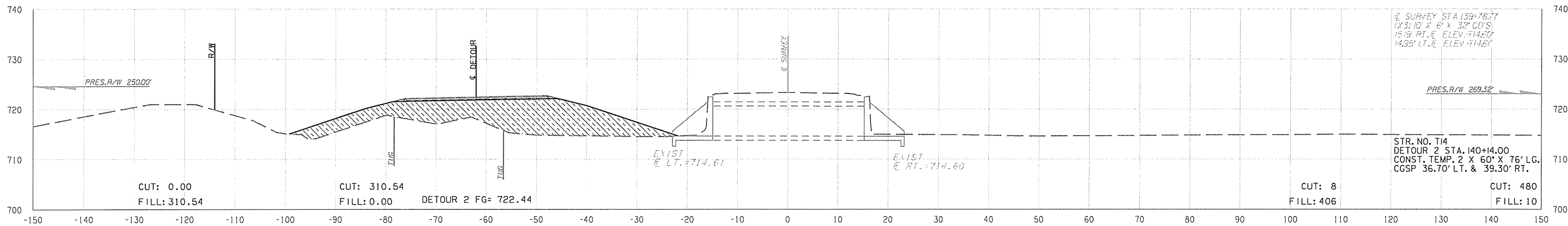


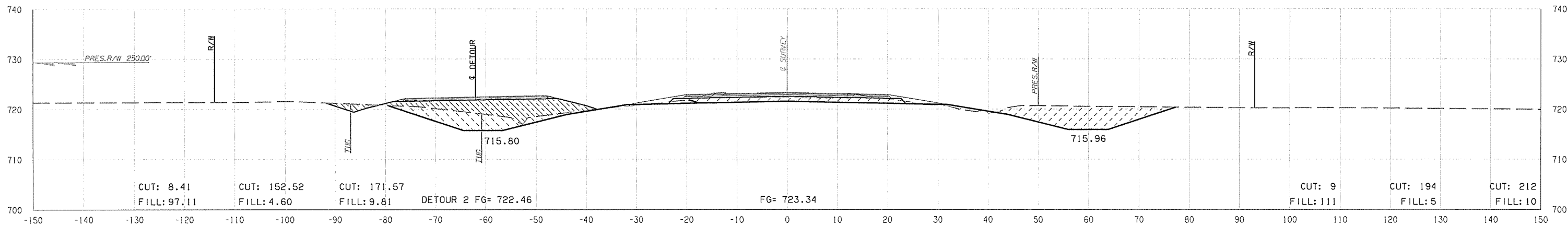
END AREAS (SF)

VOLUMES (CY)

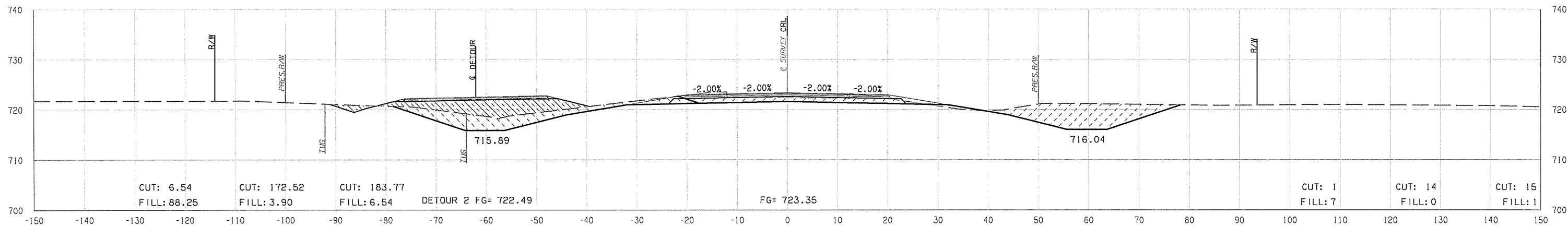
PHASE 1 PHASE 2 PHASE 3 PHASE 4 PHASE 1 PHASE 2 PHASE 3 PHASE 4



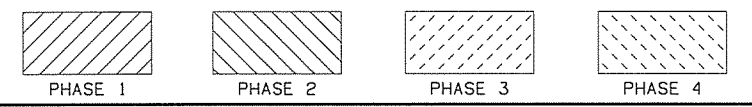
139 + 78.77



END PROJECT AND BEGIN INCIDENTAL CONSTRUCTION
139 + 25.00



END SUPERELEVATION STATION
139 + 02.26



Y:\Division 8\JP27075 (04) CreekIDGN\PROJECT DGNs\27075 (04) Xsecs.dgn 05-03-16