

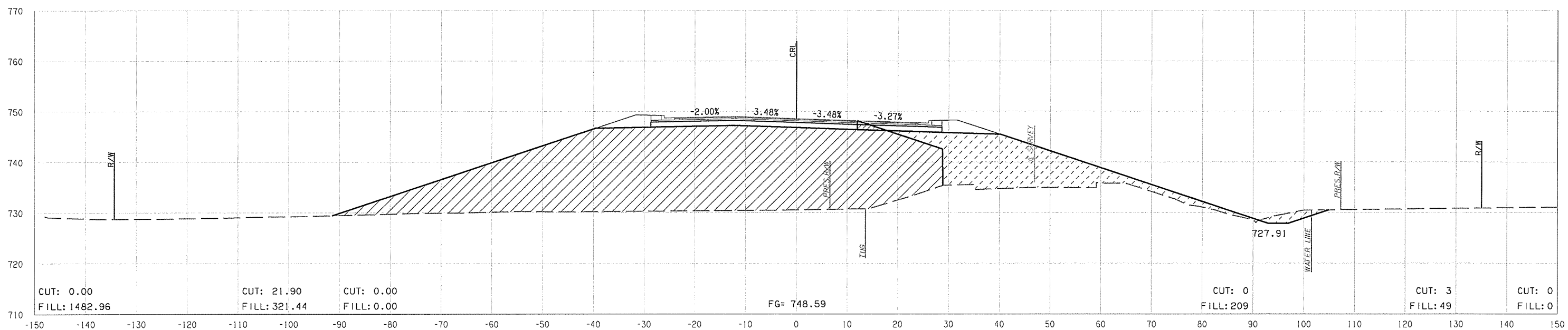
OKLAHOMA DEPARTMENT OF TRANSPORTATION					
FED. ROAD DIST. NO.	STATE	JOB PIECE NO.	FISCAL YEAR	SHEET NO.	TOTAL SHEETS
6	OKLA.				
DESCRIPTION		REVISIONS		DATE	

END AREAS (SF)

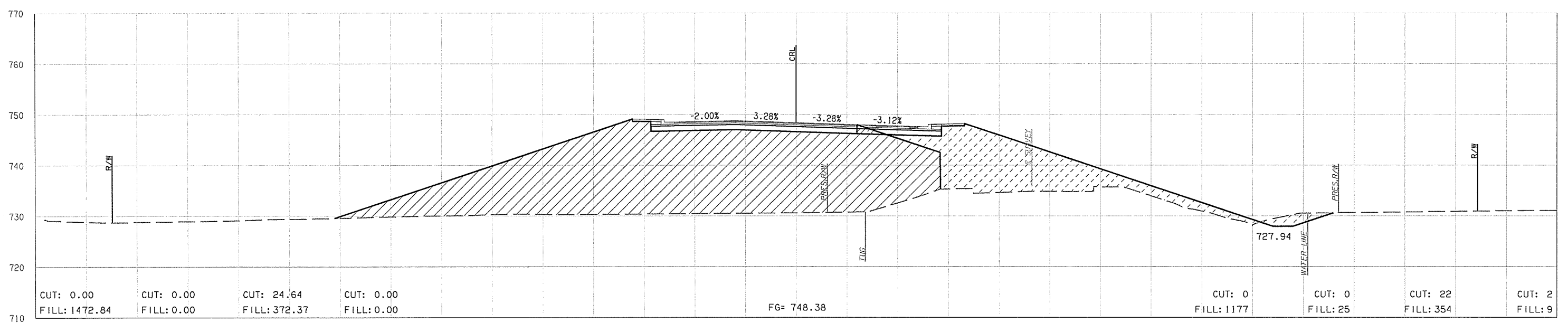
PHASE 1      PHASE 2      PHASE 3      PHASE 4

VOLUMES (CY)

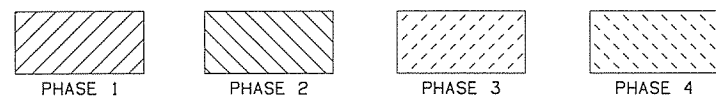
PHASE 1      PHASE 2      PHASE 3      PHASE 4



110+00.00



END DETOUR 1  
109+96.19



STATE JOB NO. 27075(04)  
CREEK COUNTY SHEET NO. X14

Y:\Division 8\JP27075 (04) Creek\DWG\PROJECT DGN's\27075 (04) Xsecs.dgn

05-03-16