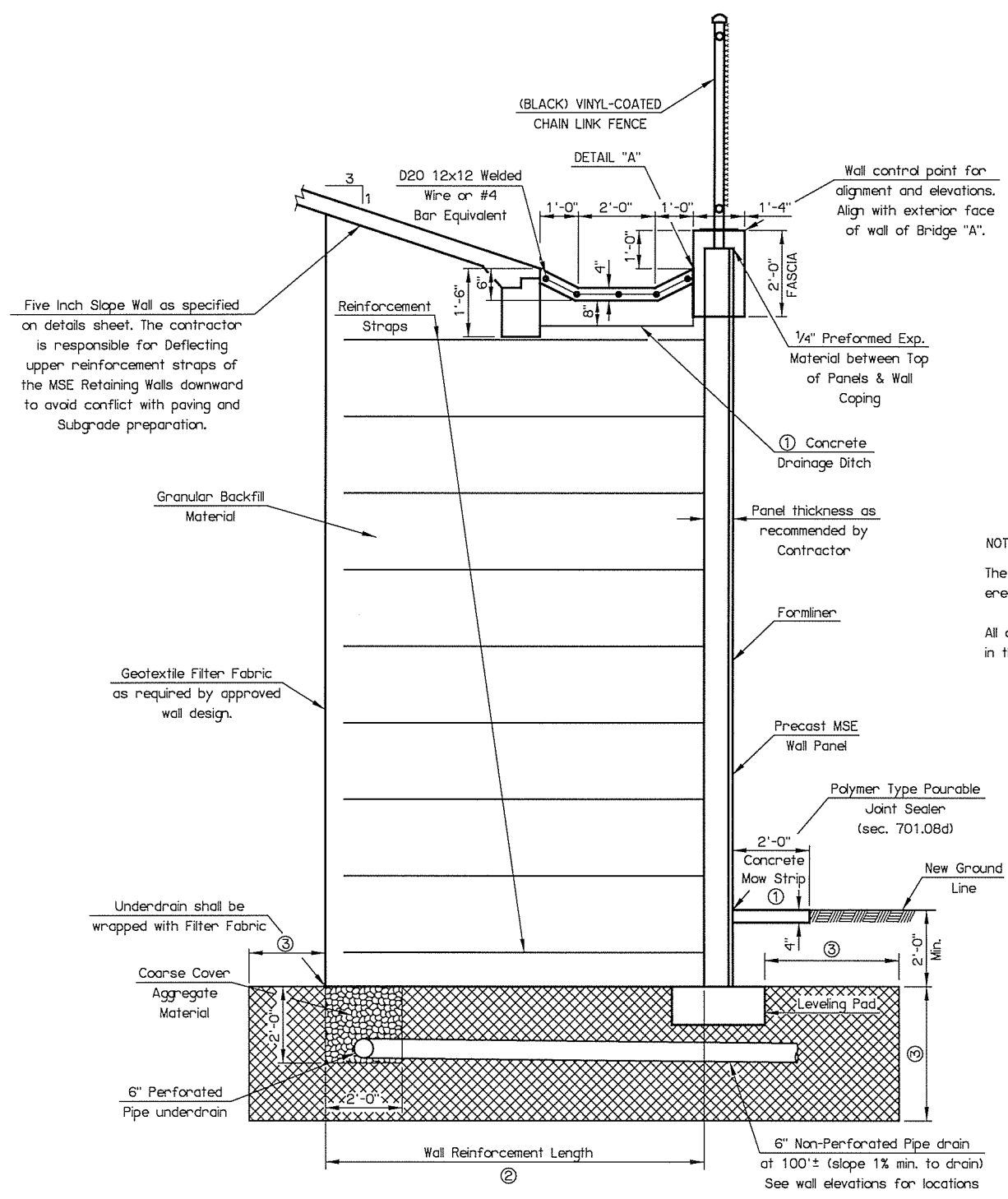
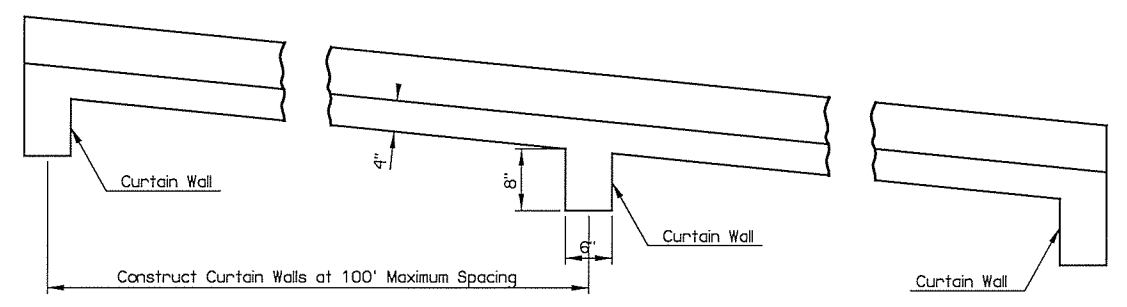
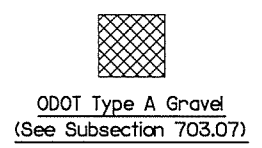


REV. NO.	DESCRIPTION	REVISIONS	DATE

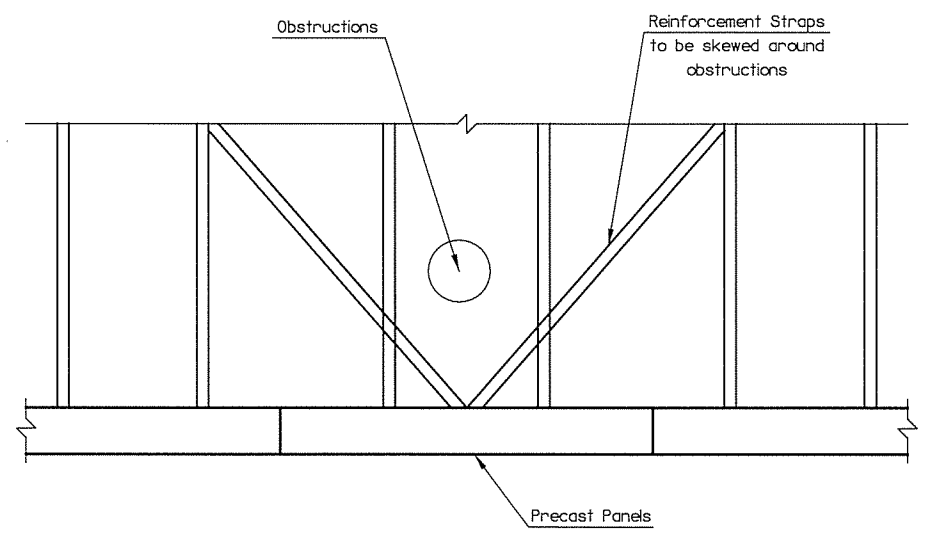


MSE WALL DETAIL

- ① Provide contraction joints every 6ft and expansion joints every 100ft.
- ② South Wall Reinforcement length = 1.7 times height or 8'-0", whichever is greater
North Wall Reinforcement length = 0.9 times height or 8'-0", whichever is greater
- ③ South Wall Minimum Embedment from Existing Grade = 3'-0"
North Wall Minimum Embedment from Existing Grade = 2'-0"

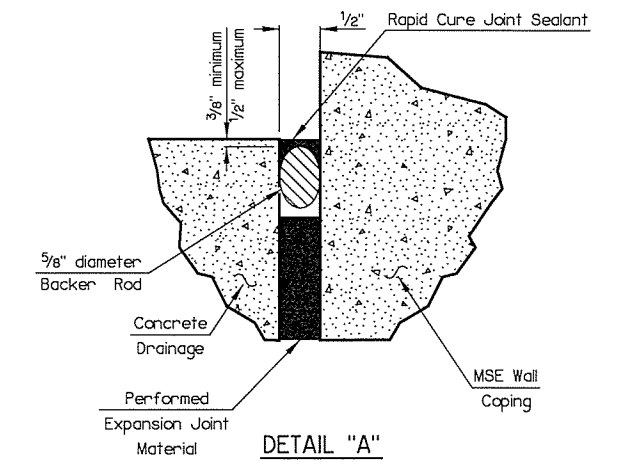


NOTE:
 The MSE wall panels shall be stacked and may be erected in a staggered horizontal joint pattern.
 All costs for wall drainage system shall be included in the unit price bid per square yard for "(PL) MSE RETAINING WALL".



STRAP SKEWING DETAIL AT OBSTRUCTIONS

NOTE: If barmat or wire mesh soil reinforcement is used, then a structural yoke system must be attached to the obstructed panel(s), and the obstructed sections of soil reinforcements must be attached to the yoke on the backside of the obstruction.



US 75A OVER BNSF RR BRIDGE 'A'	CREEK COUNTY	Design	N/A	N/A
MSE WALL DETAILS		Detail	RLA	4/16
		Check	KMS	4/16
STATE OF OKLAHOMA		Squad	MAYFIELD	Eng. ELYAZGI
DEPARTMENT OF TRANSPORTATION		JOB PIECE NO.	27075(04)	SHEET NO. 85