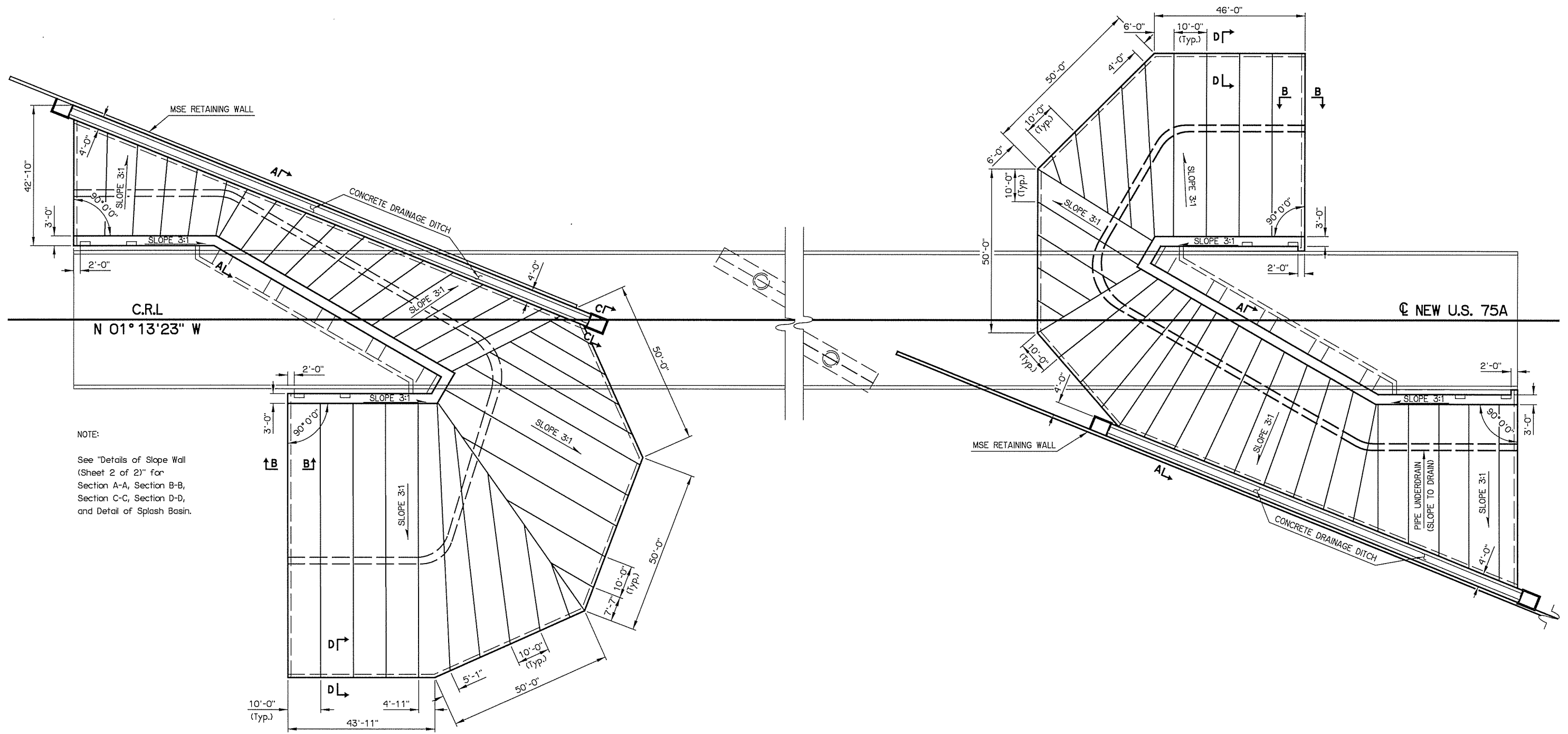


REV. NO.	DESCRIPTION	REVISIONS	DATE



NOTE:
See "Details of Slope Wall (Sheet 2 of 2)" for Section A-A, Section B-B, Section C-C, Section D-D, and Detail of Splash Basin.

US 75A OVER BNSF RR BRIDGE 'A'	CREEK COUNTY	Design	N/A	N/A
DETAILS OF SLOPE WALL (SHEET 1 OF 2)		Detail	RLA	4/16
		Check	KMS	4/16
STATE OF OKLAHOMA		Squad	MAYFIELD	
DEPARTMENT OF TRANSPORTATION		Engr.	ELYAZGI	
JOB PIECE NO. 27075(04)		SHEET NO.		73