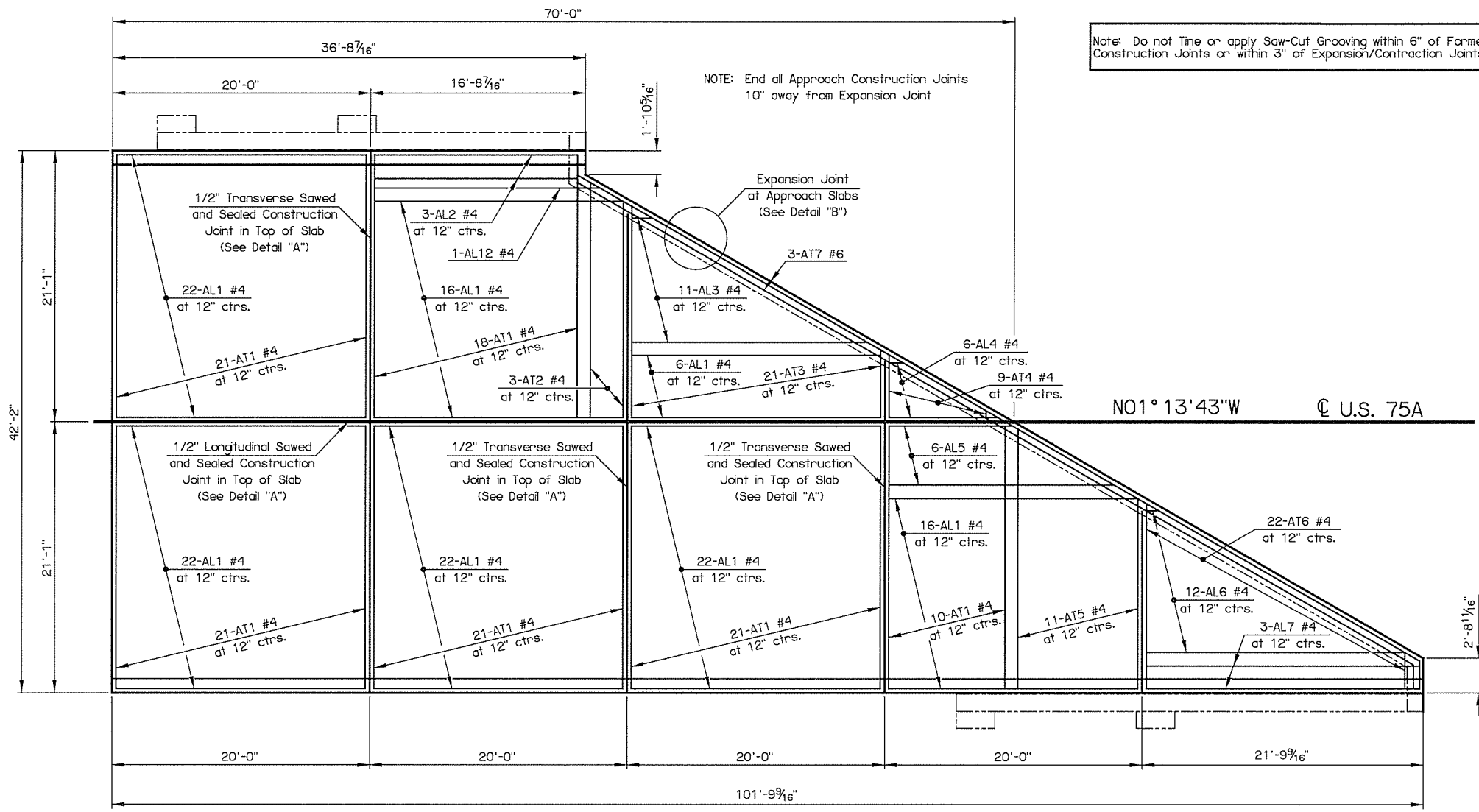
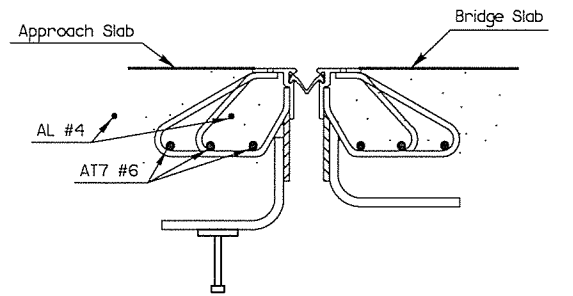
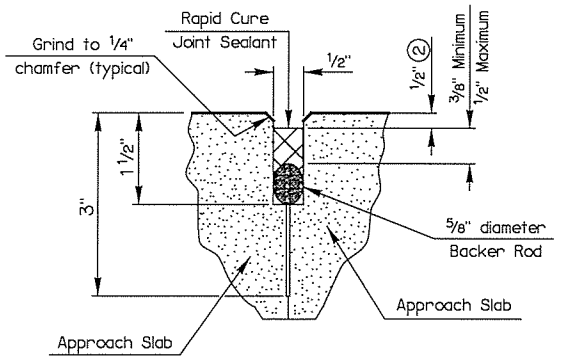


REV. NO.	DESCRIPTION	REVISIONS	DATE

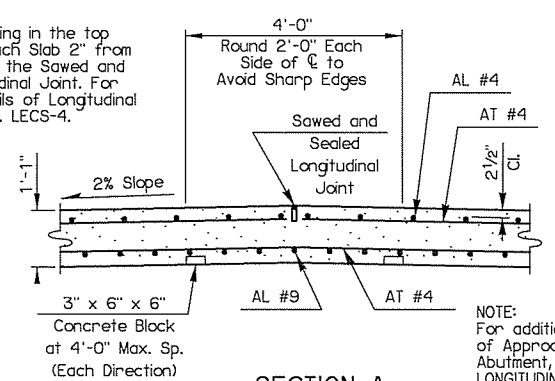


Note: Do not Tine or apply Saw-Cut Grooving within 6" of Formed/Sawed Construction Joints or within 3" of Expansion/Contraction Joints.



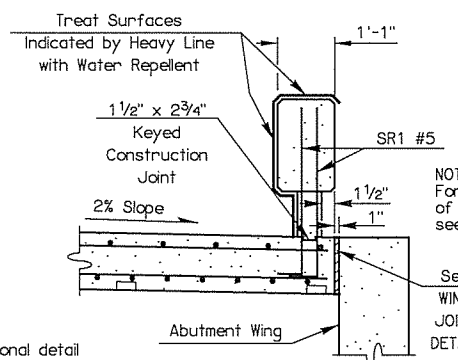
APPROACH SLAB 1 PLAN

NOTE: Place Reinforcing in the top of the Approach Slab 2" from either side of the Sawed and Sealed Longitudinal Joint. For additional details of Longitudinal Joint, see Std. LECS-4.

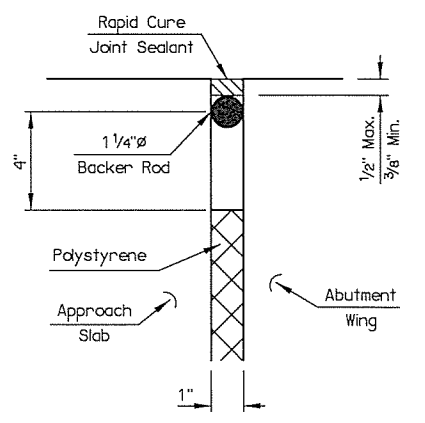


SECTION A

NOTE: For additional detail of Approach Slab at Abutment, see LONGITUDINAL SECTION and DIAPHRAGM DETAILS.



SECTION B



WING JOINT DETAIL

US 75A OVER BNSF RR BRIDGE 'A'	CREEK COUNTY	Design	KAB	12/15
APPROACH SLAB DETAILS (SHEET 1 OF 2)		Detail	RLA	12/15
		Check	KMS	2/16
STATE OF OKLAHOMA		DEPARTMENT OF TRANSPORTATION	Specialist	MAYFIELD
JOB PECE NO. 27075(04)		Eng.	ELYAZGI	SHEET NO. 70