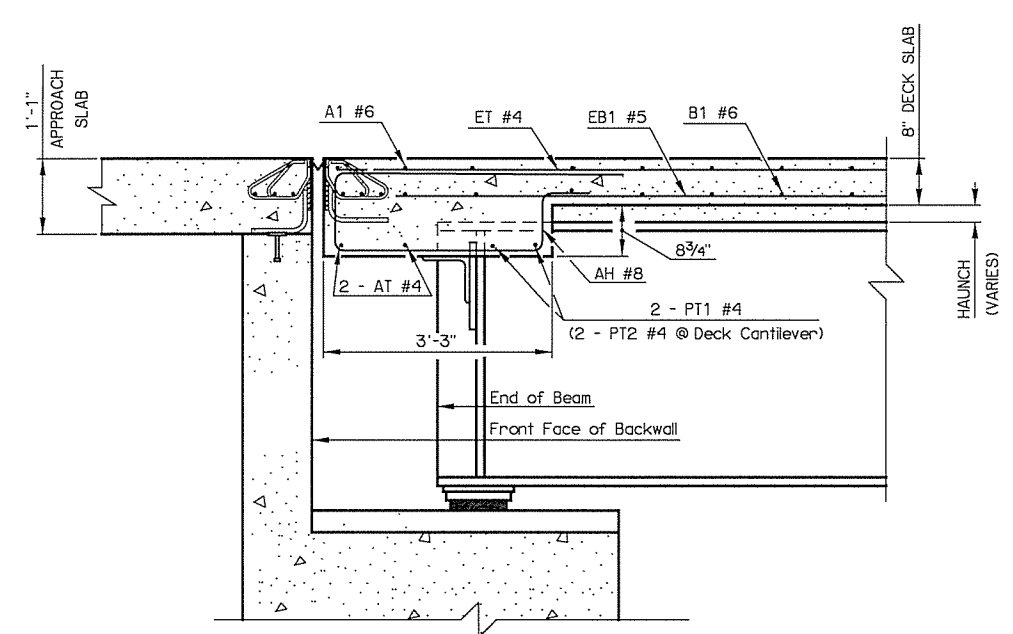
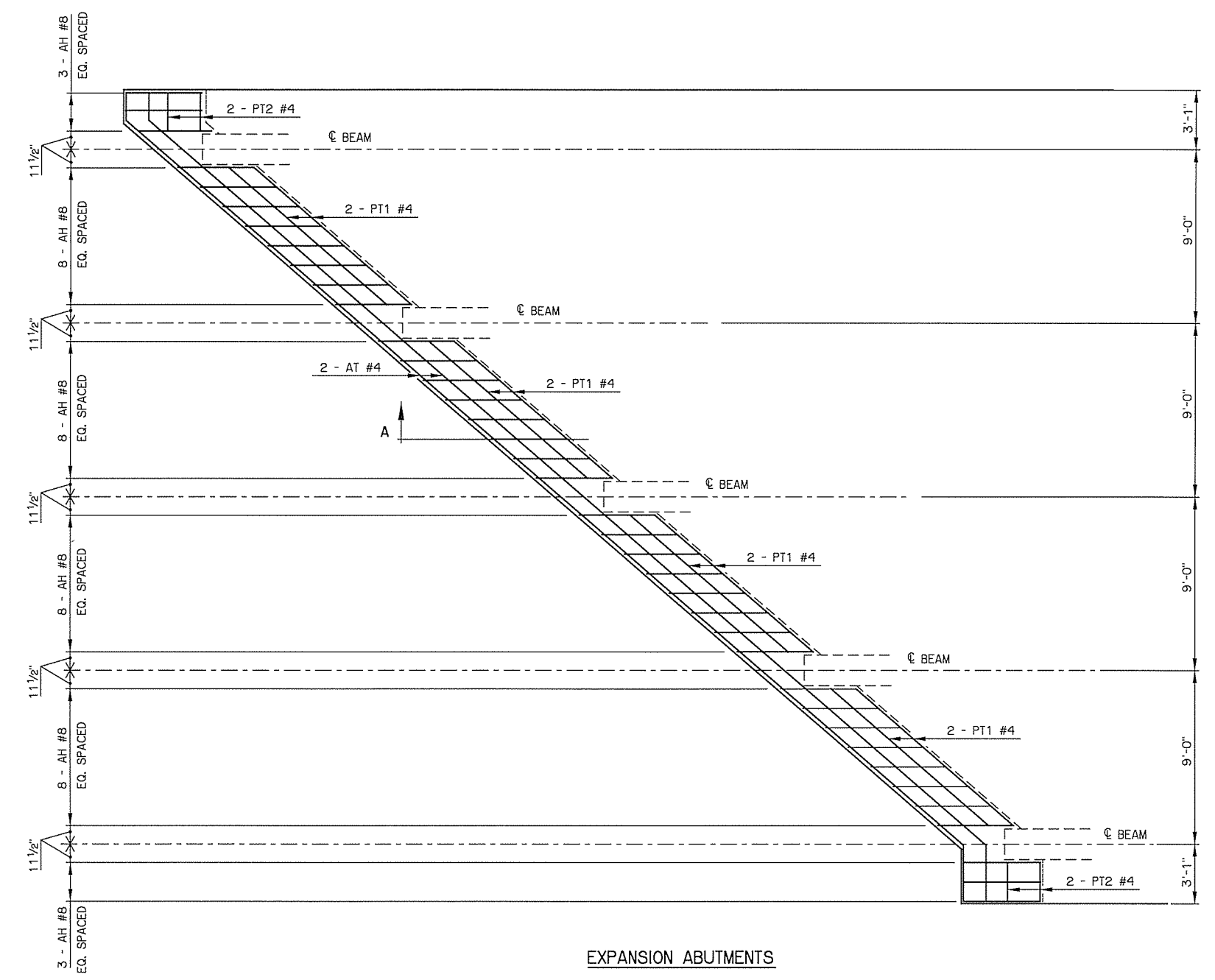


REV. NO.	DESCRIPTION	REVISIONS	DATE



SECTION 'A'

NOTE: See "DETAILS OF SUPERSTRUCTURE (DECK LAYOUT)" for details of bar lengths and quantities.



EXPANSION ABUTMENTS

NOTE: Stagger laps on AT bars.

US 75A OVER BNSF BRIDGE 'A'	CREEK COUNTY	Design	N/A	N/A
DETAILS OF END DIAPHRAGMS (SHEET 2 OF 2)		Detail	RWM	02/16
		Check	KMS	02/16
STATE OF OKLAHOMA		Squad	MAYFIELD	
DEPARTMENT OF TRANSPORTATION		Eng.	ELYAZGI	
JOB PIECE NO. 27075(04)		SHEET NO.		68