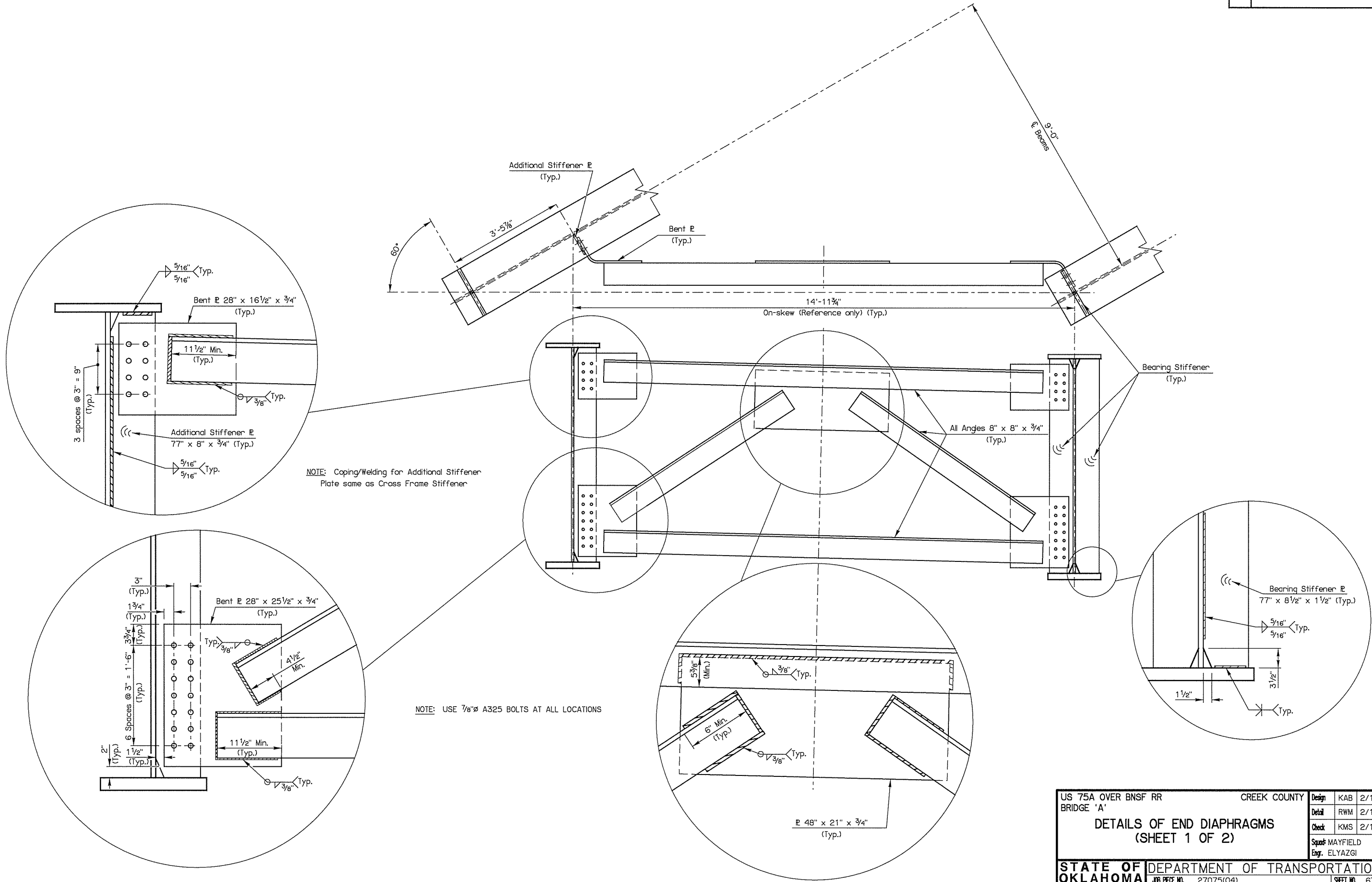


REV. NO.	DESCRIPTION	REVISIONS	DATE



NOTE: Coping/Welding for Additional Stiffener Plate same as Cross Frame Stiffener

NOTE: USE 7/8" A325 BOLTS AT ALL LOCATIONS

US 75A OVER BNSF RR BRIDGE 'A'	CREEK COUNTY	Design	KAB	2/16
DETAILS OF END DIAPHRAGMS (SHEET 1 OF 2)		Detail	RWM	2/16
		Check	KMS	2/16
STATE OF OKLAHOMA		Squad	MAYFIELD	
DEPARTMENT OF TRANSPORTATION		Eng.	ELYAZGI	
JOB PECE NO. 27075(04)		SHEET NO.	67	