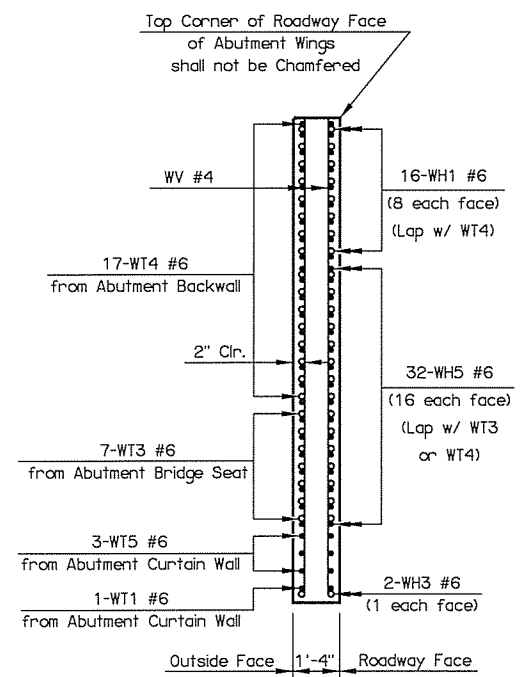
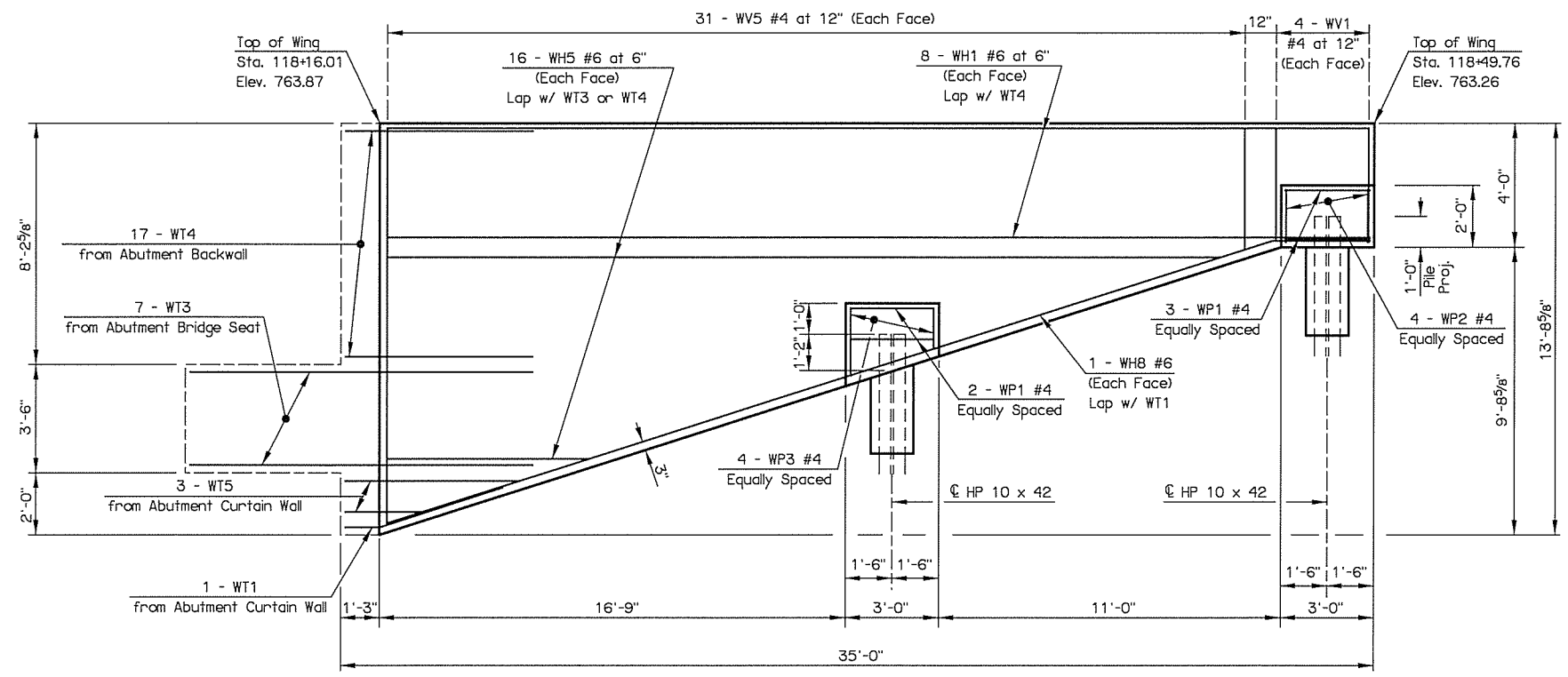


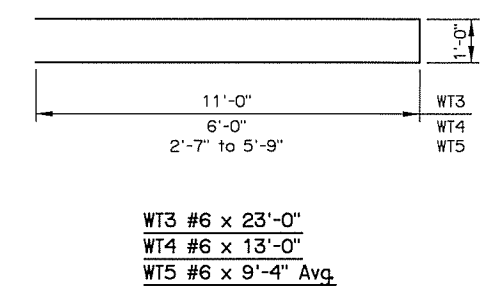
REV. NO.	DESCRIPTION	REVISIONS	DATE



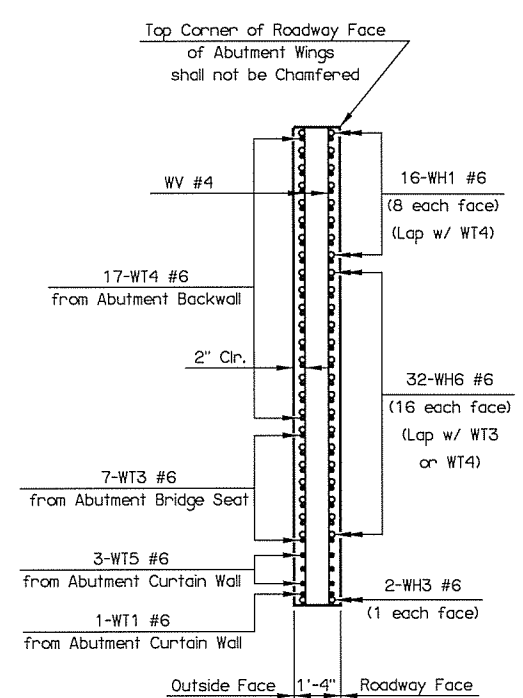
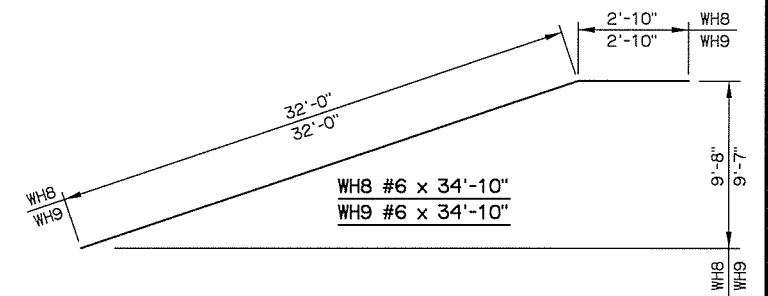
SECTION THRU WEST WING



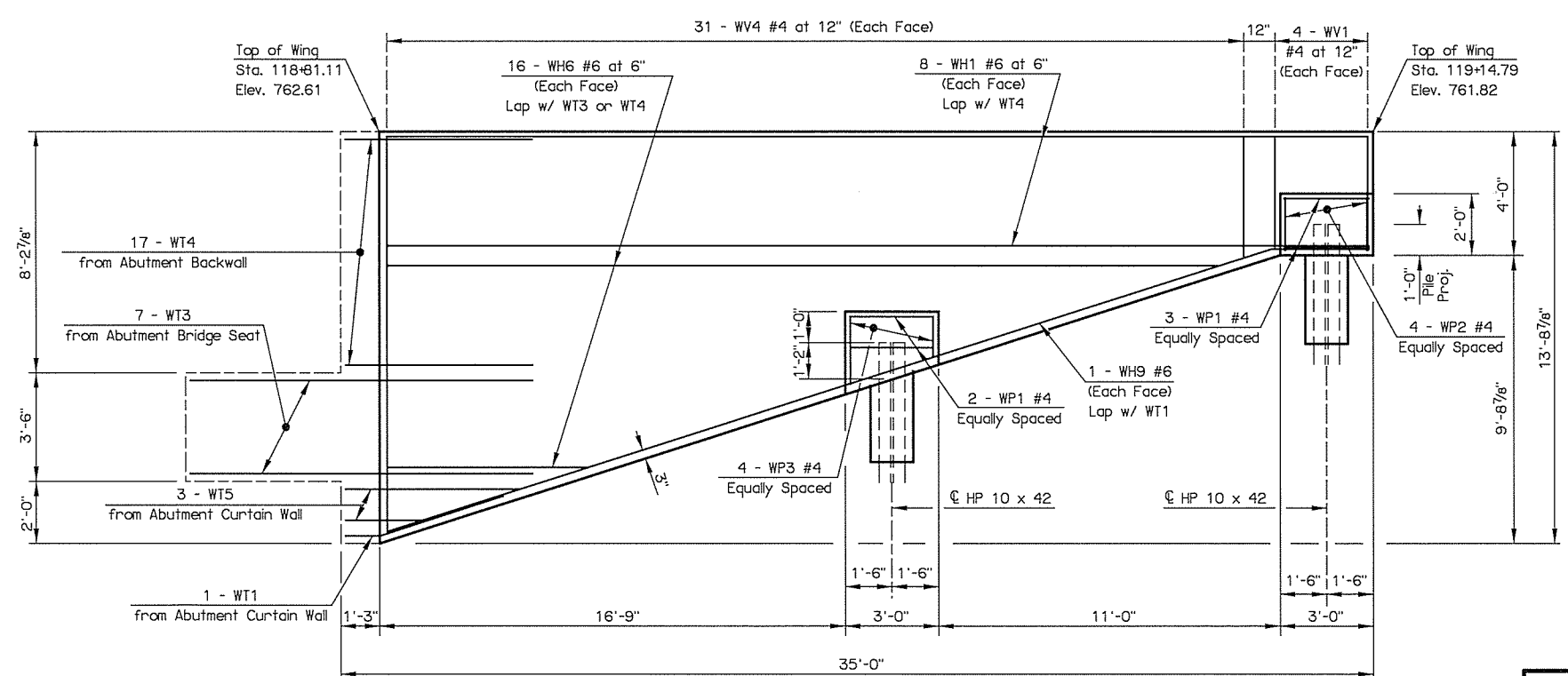
WEST WING ELEVATION



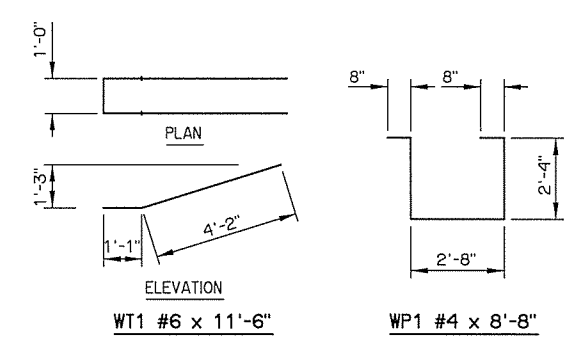
WT3 #6 x 23'-0"
 WT4 #6 x 13'-0"
 WT5 #6 x 9'-4" Avg.



SECTION THRU EAST WING



EAST WING ELEVATION



US 75A OVER BNSF RR BRIDGE 'A'	CREEK COUNTY	Design	KAB	12/15
		Detail	RLA	1/16
		Check	KMS	3/16
		Squad	MAYFIELD	
		Engr.	ELYAZGI	
STATE OF OKLAHOMA		DEPARTMENT OF TRANSPORTATION		
JOB PIECE NO. 27075(04)		SHEET NO. 58		