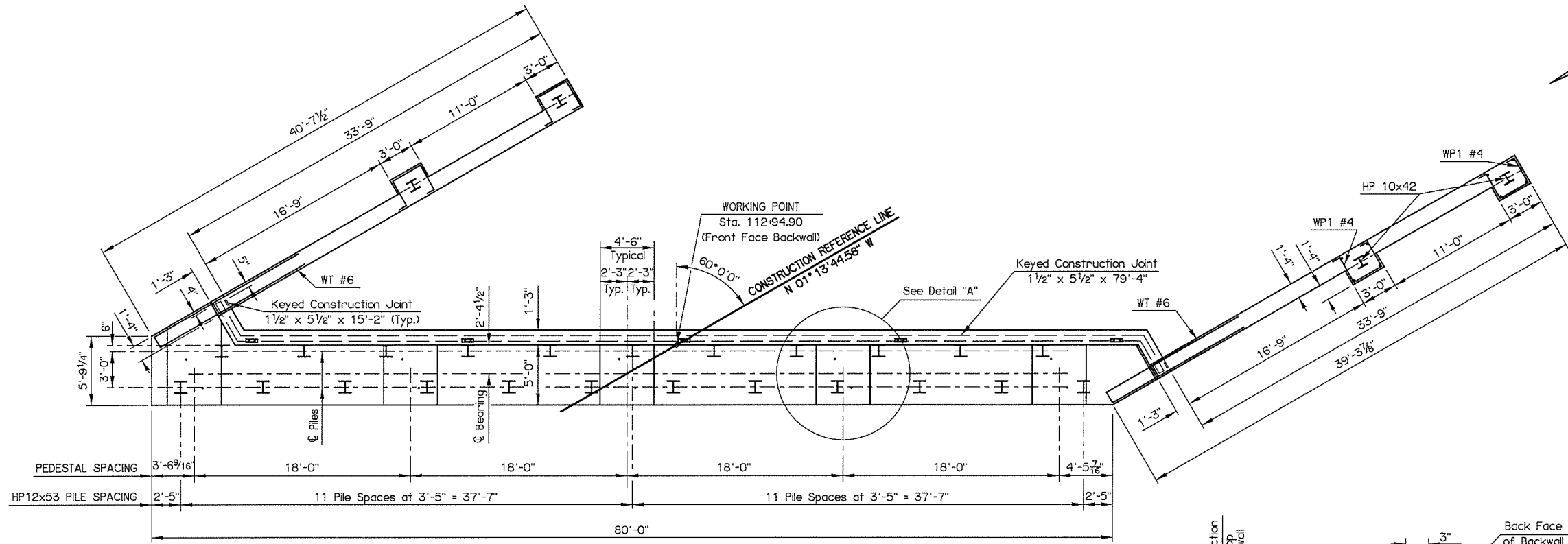
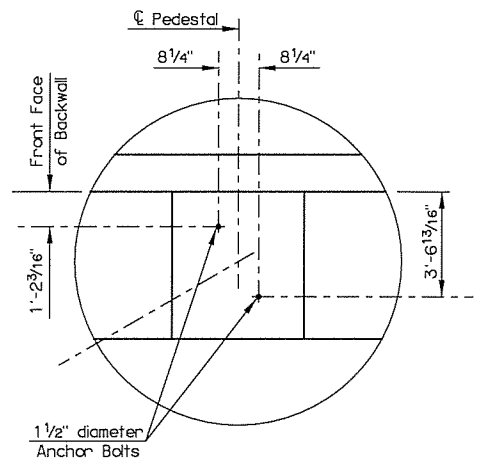


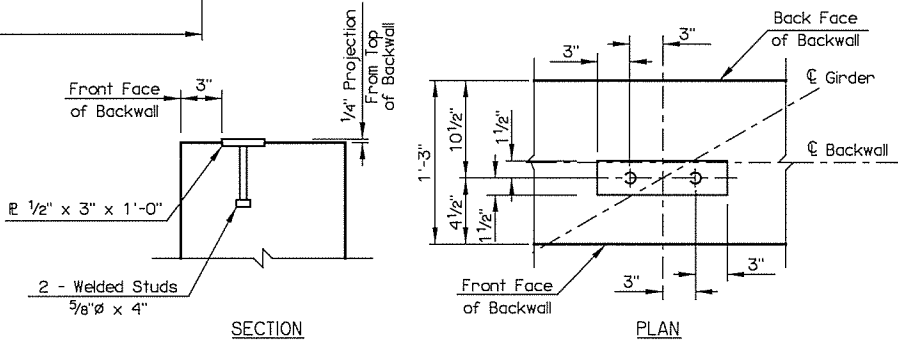
REV. NO.	DESCRIPTION	REVISIONS	DATE



PLAN



DETAIL "A"  
TYPICAL ANCHOR BOLT LAYOUT

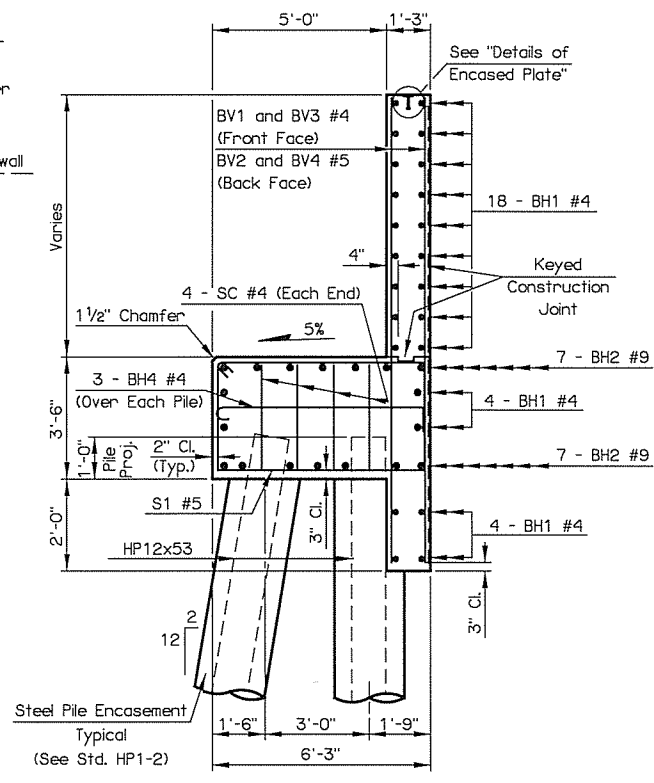


SECTION

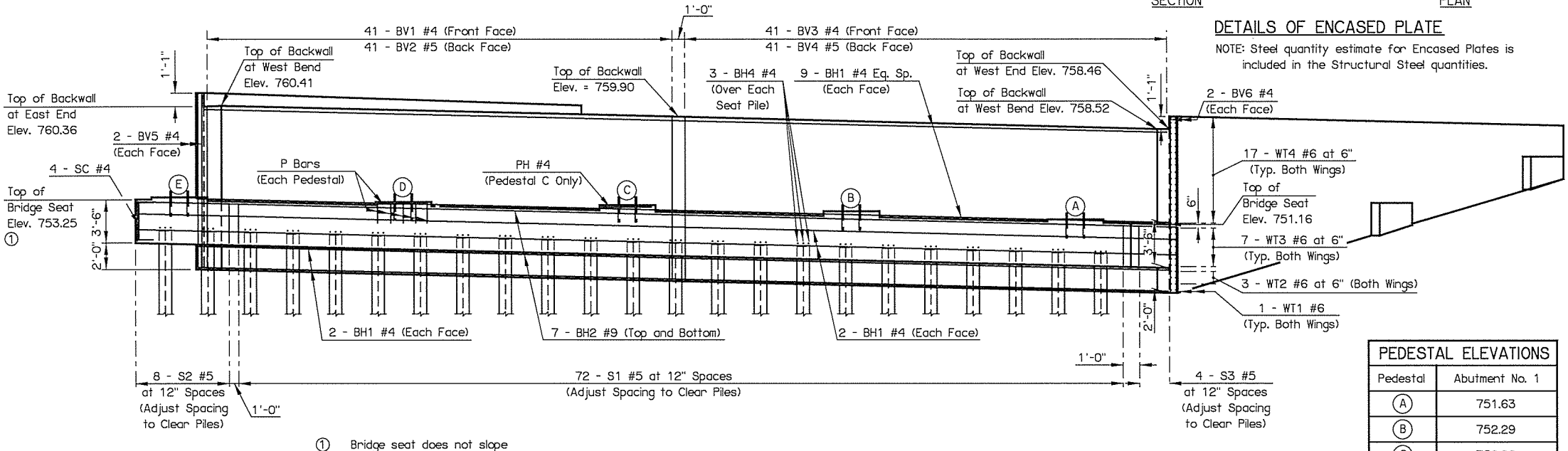
PLAN

DETAILS OF ENCASED PLATE

NOTE: Steel quantity estimate for Encased Plates is included in the Structural Steel quantities.



TYPICAL SECTION THRU SEAT



ELEVATION

PEDESTAL ELEVATIONS	
Pedestal	Abutment No. 1
(A)	751.63
(B)	752.29
(C)	752.92
(D)	753.18
(E)	753.42

① Bridge seat does not slope from Top of Bridge Seat East to Pedestal "E"

US 75A OVER BNSF RR CREEK COUNTY

BRIDGE 'A' DETAILS OF ABUTMENT (SHEET 1 OF 3) (ABUTMENT NO. 1)

Design	KAB	12/15
Detail	RLA	1/16
Check	KMS	3/16
Survey	MAYFIELD	
Eng.	ELYAZGI	

STATE OF OKLAHOMA DEPARTMENT OF TRANSPORTATION

JOB FILE NO. 27075(04) SHEET NO. 54