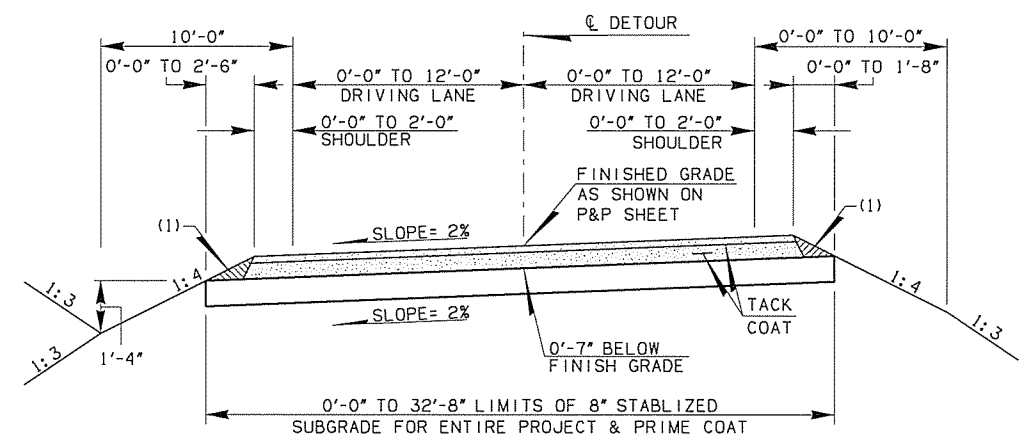


US-75A TYPICAL NO. 3
CRL STA. 119+06.06 TO CRL STA. 139+25.00

PAVEMENT REQUIREMENT			
9" PAVT. STRUCTURE	12'-0" DRIVING LANES		8'-0" PAVED SHOULDERS
SURFACE COURSE	2" SUPERPAVE TYPE S4 (PG 70-28 OK)		2" SUPERPAVE TYPE S4 (PG 64-22 OK) (3)
BASE COURSE	3" SUPERPAVE TYPE S3 (PG 70-28 OK)		3" SUPERPAVE TYPE S3 (PG 64-22 OK) (3)
	4" SUPERPAVE TYPE S3 (PG 64-22 OK) (3)		4" SUPERPAVE TYPE S3 (PG 64-22 OK) (3)



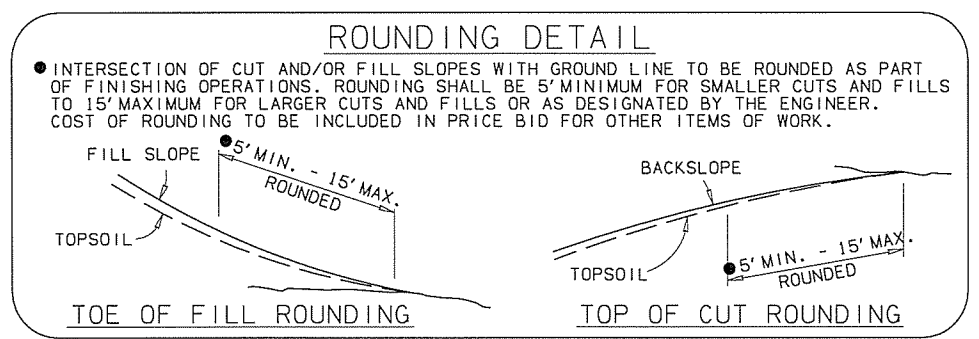
DETOUR NO. 1
DETOUR 1 STA. 104+00.00 TO DETOUR 1 STA. 109+94.59

DETOUR NO. 2
DETOUR 2 STA. 125+92.88 TO DETOUR 2 STA. 146+16.22

PAVEMENT REQUIREMENT			
7" PAVT. STRUCTURE	12'-0" DRIVING LANES		8'-0" PAVED SHOULDERS
SURFACE COURSE	2.5" SUPERPAVE TYPE S4 (PG 64-22 OK) (3)		2.5" SUPERPAVE TYPE S4 (PG 64-22 OK) (3)
BASE COURSE	2.5" SUPERPAVE TYPE S3 (PG 64-22 OK) (3)		2.5" SUPERPAVE TYPE S3 (PG 64-22 OK) (3)

- (1) TO BE BACKFILLED AND COMPACTED AS PART OF THE FINISHING OPERATIONS. COST TO BE INCLUDED IN UNCLASSIFIED BORROW.
- (2) THE CONTRACTOR SHALL STRIP ALL OF THE AVAILABLE TOPSOIL, STOCKPILE IT, AND PLACE IT BACK ON THE SECTION IN ACCORDANCE WITH SECTION 205 OF THE STANDARD SPECIFICATIONS. RESERVED TOPSOIL SHALL BE SPREAD FIRST ON THE COMPLETED SLOPES OF THE CUT SECTIONS AND THE REMAINDER ON COMPLETED FILL SLOPES OR OTHER PRIORITY AREAS LOCATED BY THE ENGINEER. ALL ADDITIONAL COSTS ASSOCIATED WITH OPERATIONS SHALL BE INCLUDED IN THE PAY ITEM SALVAGED TOPSOIL, LUMP SUM.

THE GRADING LINE AS SHOWN ON THE TYPICAL AND CROSS SECTIONS IS TO THE TOP OF THE TOPSOIL. EARTHWORK QUANTITIES WERE NOT ADJUSTED FOR SALVAGE AND THE TOPSOIL QUANTITY IS INCLUDED IN THE MASS LINE BALANCE.
- (3) CONTRACTOR MAY USE (PG 70-28 OK) IN LIEU OF (PG 64-22 OK) AT NO ADDITIONAL COST TO THE STATE.
- (4) PRIME COAT ON TOP OF AGGREGATE BASE.
- (5) TO BE BACKFILLED AS PART OF THE FINISHING OPERATIONS. COST TO BE INCLUDED IN TBSC TYPE E.
- (6) DISTANCE MEASURED VERTICALLY FROM EDGE OF FINISHED GRADE SHOULDER.



DESIGN	KDL	SCM	OKLAHOMA DEPARTMENT OF TRANSPORTATION ROADWAY DESIGN DIVISION
DRAWN	KDL	SCM	
CHECKED			
APPROVED			
SQUAD	HAMILTON		
COUNTY	CREEK	HIGHWAY US-75A STATE JOB NO. 27075(04)	SHEET NO. 3

TYPICAL SECTION

Y:\Division 8\UP27075 (04) Creek\IGN\PROJECT DGN\27075 (04) Typical.dgn 05-03-16