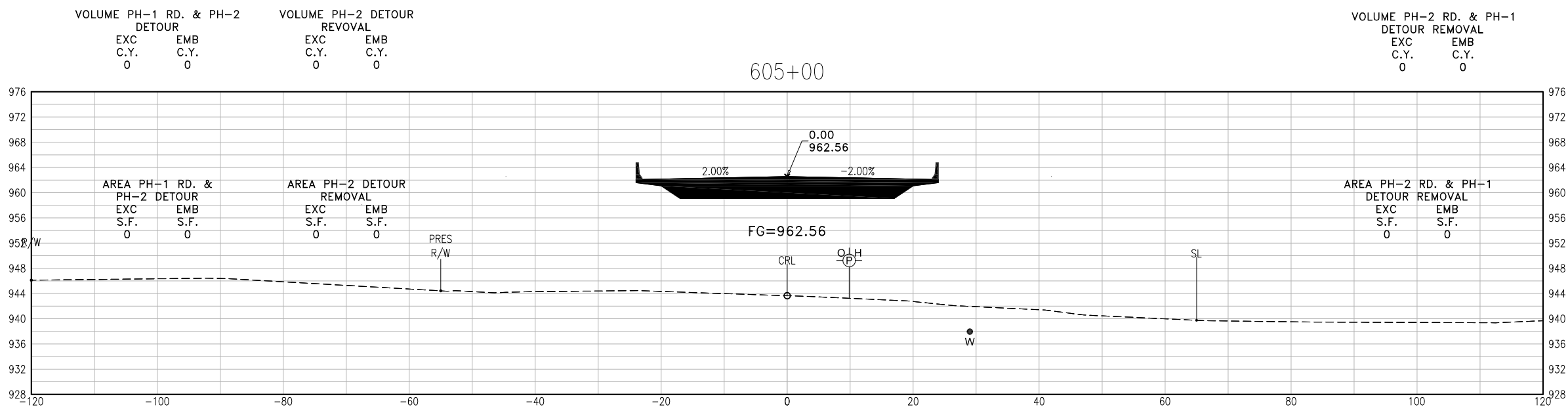
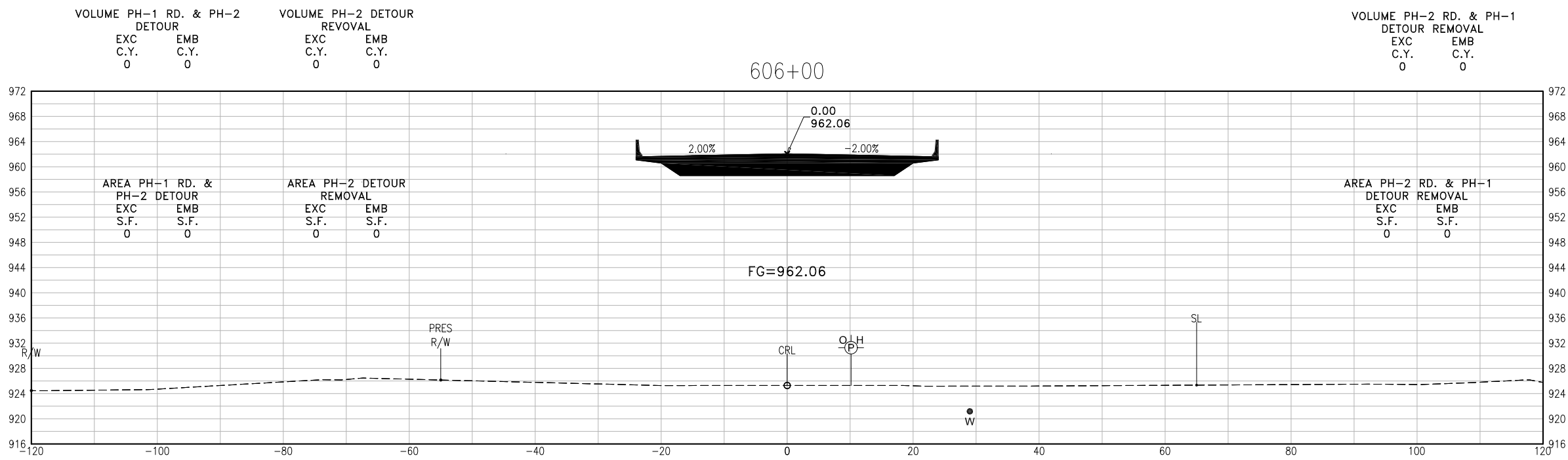


SCALE
Horizontal = 1" = 10'
Vertical = 1" = 10'



US-277