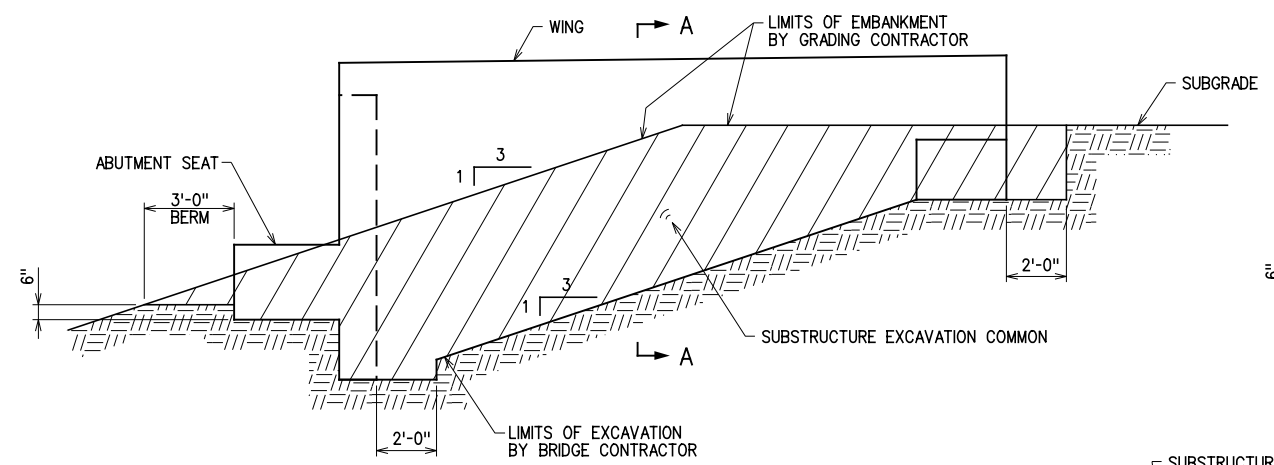
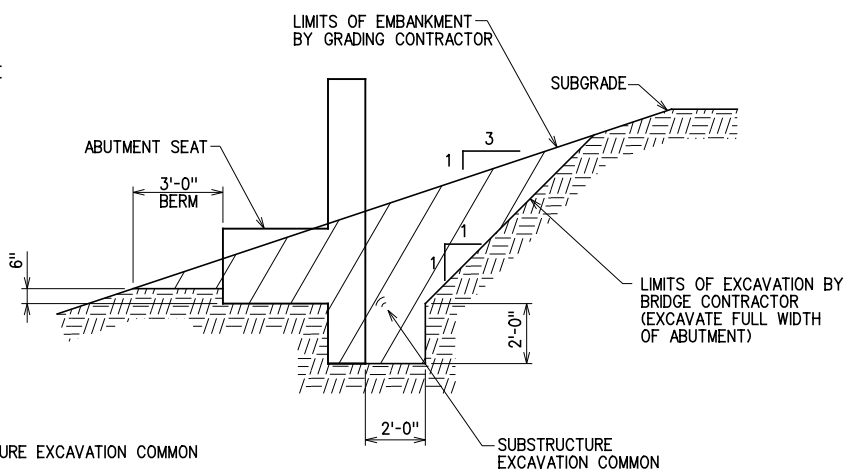


PLAN

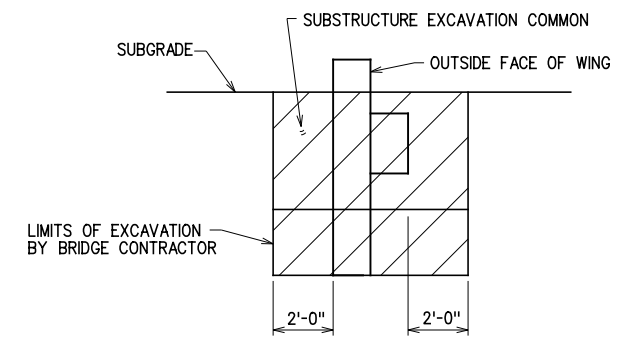
NOTE:
 THE CONTRACTOR MAY EXCAVATE TO THE NEAT LINES OF THE ABUTMENT, AND IF IN SATISFACTORY CONDITION TO THE ENGINEER, HE MAY POUR THE CONCRETE AGAINST THE COMPACTED FILL. IF NECESSARY, THE CONTRACTOR SHALL USE FORMS ON THE BACK VERTICAL FACE OF THE ABUTMENT AND REMOVE THE SAME AFTER CONCRETE IS SET. BACKFILLING SHALL BE COMPACTED IN ACCORDANCE WITH SECTION 501 OF THE 2009 STANDARD SPECIFICATIONS. IF THE CONTRACTOR CHOOSES TO PLACE CONCRETE AGAINST THE SOIL, THE DEPARTMENT WILL PAY FOR "SUBSTRUCTURE EXCAVATION COMMON" AT ABUTMENTS IN ACCORDANCE WITH THE DIAGRAM SHOWN ON THE PLANS.



WING ELEVATION
(DIMENSIONS ARE ALONG FACE OF WING)

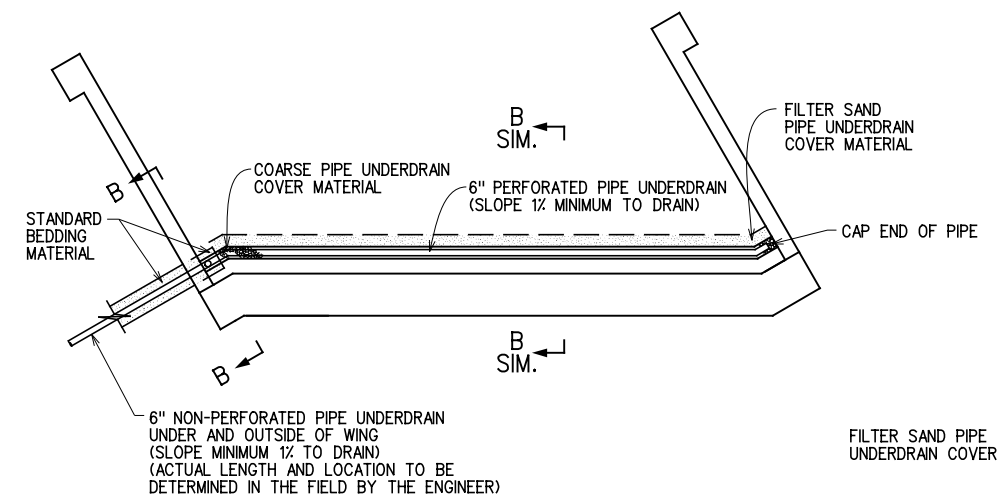


SECTION THRU BRIDGE SEAT
(DIMENSIONS ARE PERPENDICULAR TO BRIDGE SEAT)



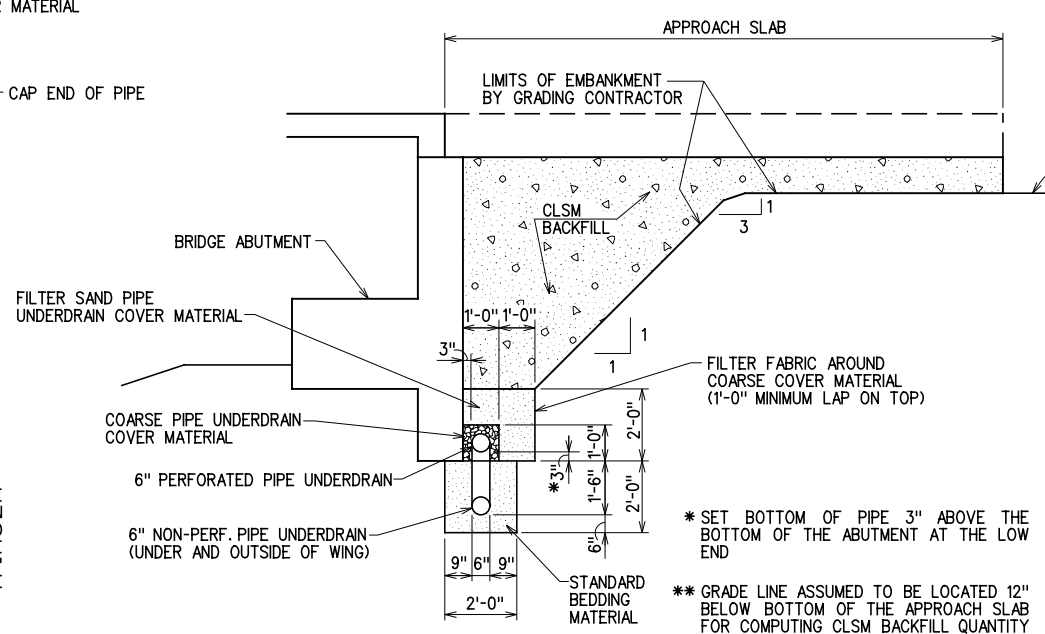
SECTION A-A

SUBSTRUCTURE EXCAVATION DIAGRAM



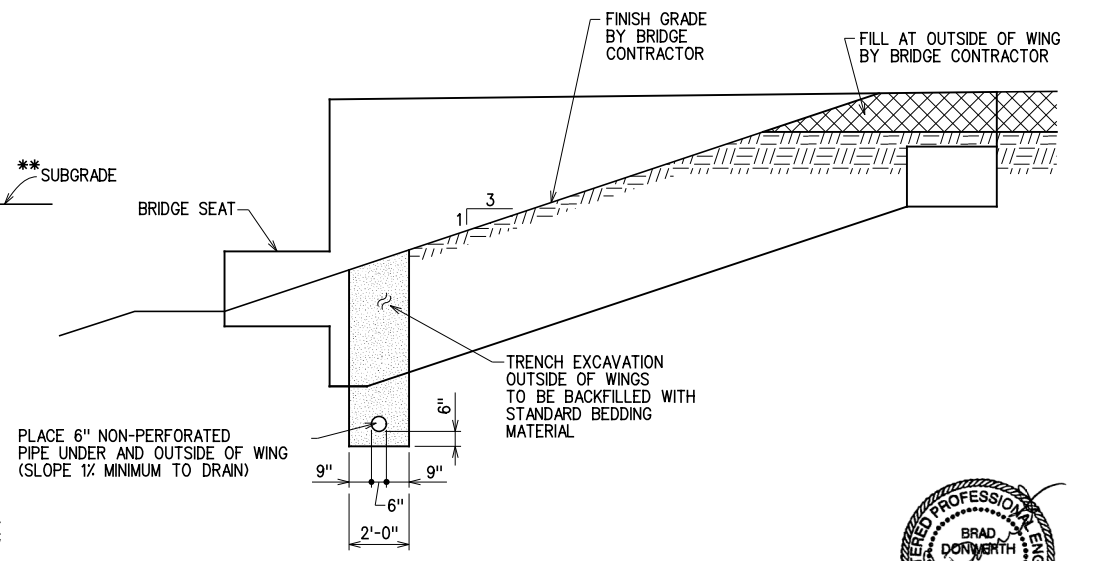
PLAN OF PIPE UNDERDRAIN

NOTE:
 EXTENT, LOCATION AND DEPTH OF 6" NON-PERFORATED PIPE UNDERDRAIN MAY BE ADJUSTED BY THE ENGINEER DURING CONSTRUCTION. ALL COST OF PIPE UNDERDRAIN COVER MATERIAL (BOTH FINE AND COARSE), FILTER FABRIC, TRENCH EXCAVATION, STANDARD BEDDING MATERIAL AND EQUIPMENT AND LABOR FOR THEIR INSTALLATION SHALL BE INCLUDED IN THE CONTRACT UNIT PRICE OF "6" PERFORATED PIPE UNDERDRAIN ROUND" AND "6" NON-PERF. PIPE UNDERDRAIN RND." INSTALLATION SHALL BE AS SHOWN ON THE PLANS AND ON STD. PUD-3.



SECTION B-B

NOTE:
 CLSM BACKFILL SHALL NOT BE PLACED UNTIL SUPERSTRUCTURE IS IN PLACE AND THE ABUTMENT WINGS HAVE ATTAINED A STRENGTH OF 3,000 P.S.I.



DETAIL OF TRENCH EXCAVATION
(DIMENSIONS ARE PERPENDICULAR TO BRIDGE SEAT)

* SET BOTTOM OF PIPE 3" ABOVE THE BOTTOM OF THE ABUTMENT AT THE LOW END
 ** GRADE LINE ASSUMED TO BE LOCATED 12" BELOW BOTTOM OF THE APPROACH SLAB FOR COMPUTING CLSM BACKFILL QUANTITY SHOWN ON PLANS. THE DEPARTMENT WILL PAY FOR CLSM BACKFILL IN ACCORDANCE WITH THE PLAN QUANTITY AND NO ADJUSTMENT WILL BE MADE FOR ACTUAL LOCATION OF GRADE LINE.



GROSSMAN & KEITH
 ENGINEERING COMPANY
 10408 GREENBRIAR PL., OKLA. CITY OK. 73159
 PH. 691-3213 FAX 691-3214
 CA. #74 EXPIRES 06/30/2016

DESIGN		U.S. 277 OVER DEEP RED CREEK OVERFLOW COTTON COUNTY BRIDGE "C" SUBSTRUCTURE EXCAVATION AND PIPE UNDERDRAIN DETAILS
DRAWN		
CHECKED		
APPROVED		
SQUAD	G/K ENGR.	
JOB PIECE NO. 28036(04)		SHEET NO. 81

X:\guernsey\EC-1360\Struc\Bridge_C\ABUTDET.dgn

6/2/2016