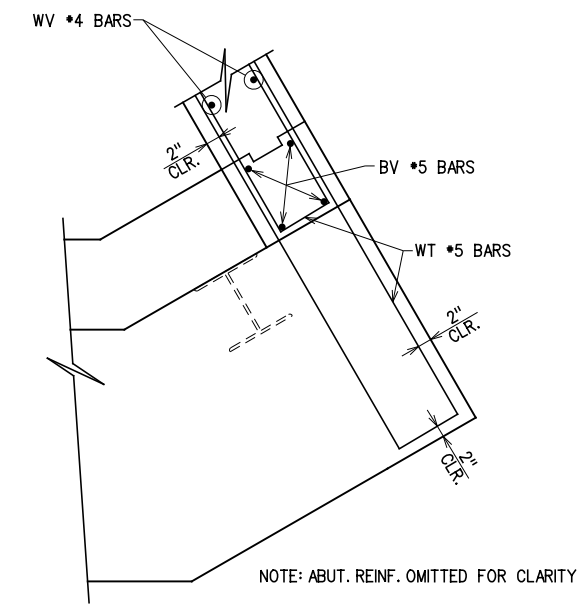


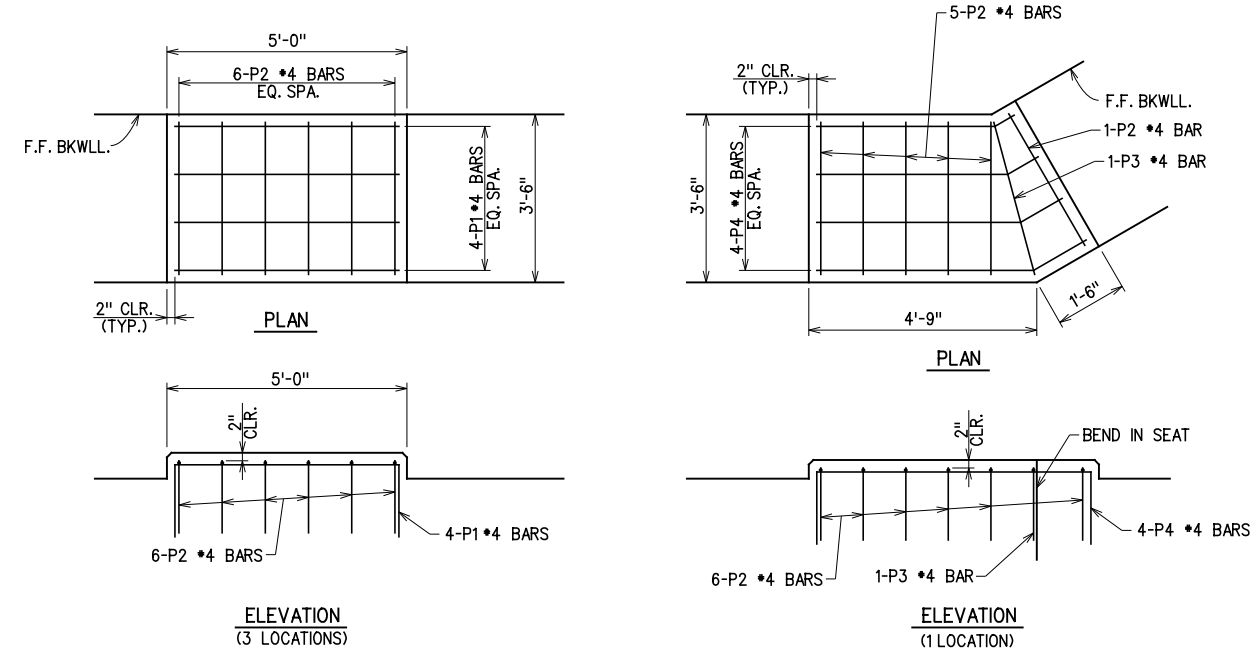
NOTE: PILE ENCASEMENTS NOT SHOWN FOR CLARITY.

ABUTMENT REINFORCING PLAN

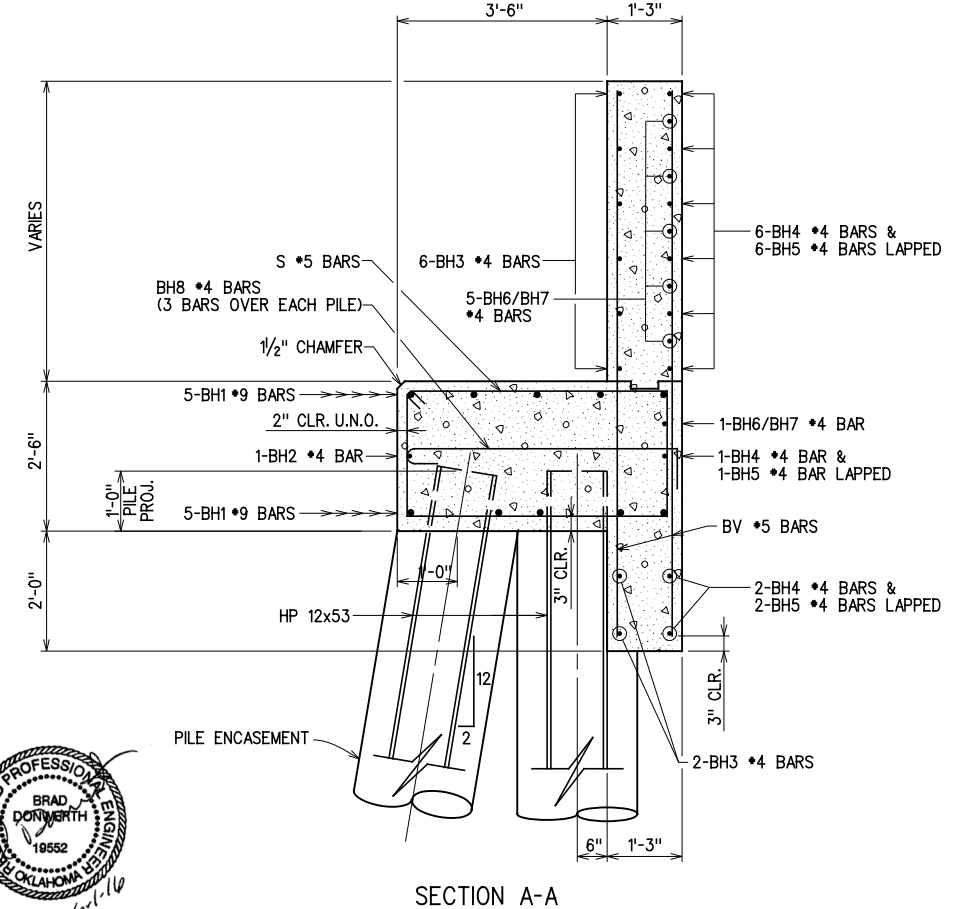


NOTE: ABUT. REINF. OMITTED FOR CLARITY

WING REINFORCING DETAIL



PEDESTAL DETAILS



SECTION A-A



X:\guernsey\EC-1360\Struc\Bridge_C\ABUT2-2.dgn 6/2/2016

GROSSMAN & KEITH
ENGINEERING COMPANY
10408 GREENBRIAR PL., OKLA. CITY OK. 73159
PH. 691-3213 FAX 691-3214
CA. *74 EXPIRES 06/30/2016

DESIGN		U.S. 277 OVER DEEP RED CREEK OVERFLOW		COTTON COUNTY	
DESIGN		BRIDGE "C"		ABUTMENT DETAILS (6 OF 8)	
DRAWN					
CHECKED					
APPROVED					
SQUAD	G/K ENGR.	JOB PIECE NO.	28036(04)	SHEET NO.	78