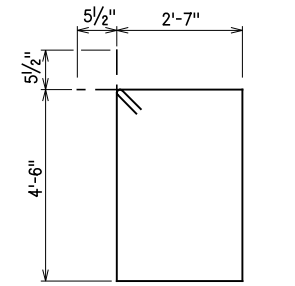
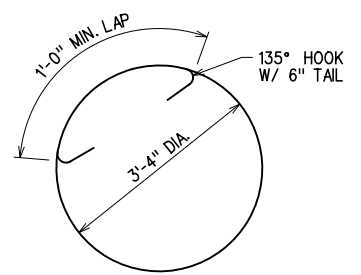


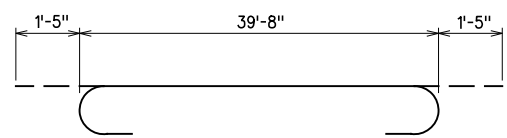
P1 - #4 BAR x 7'-8"
P2 - #4 BAR x 6'-11"
BH4 - #4 BAR x 5'-10"



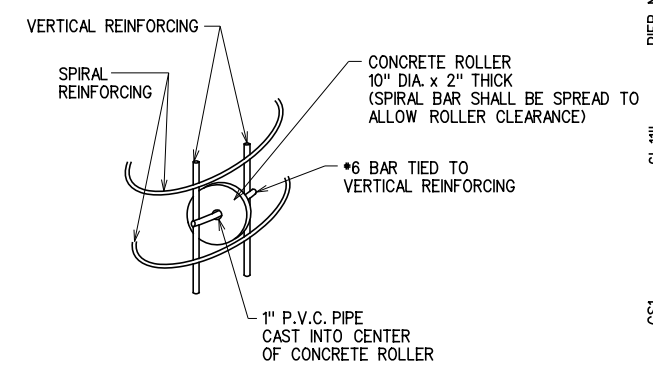
S1 - #5 BAR x 15'-1"



CT1 - #4 BAR x 12'-6"

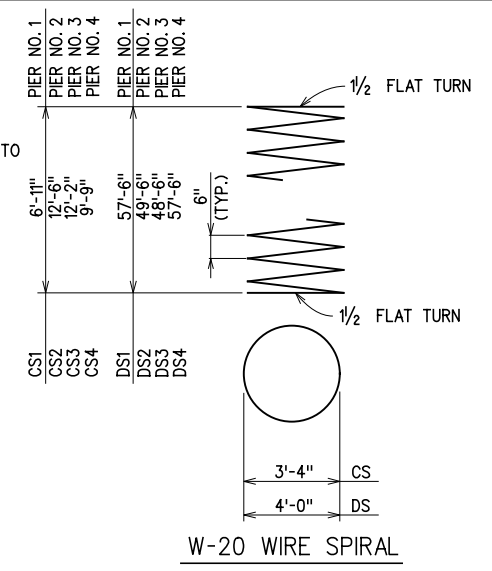


BH1 - #10 BAR x 42'-6"



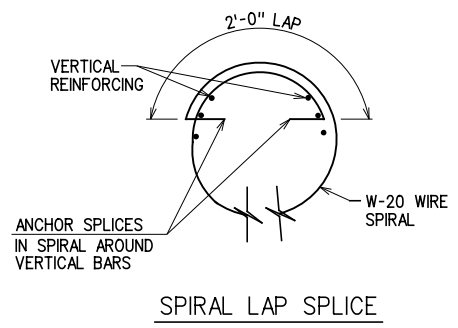
DETAIL OF ROLLER INSTALLATION

NOTE:
CONCRETE ROLLERS AND 3/4" BAR, INCLUDING LABOR, EQUIPMENT AND MATERIALS SHALL BE INCLUDED IN PRICE BID PER L.F. OF 60" DIA. DRILLED SHAFT.
CONCRETE USED IN THE CONCRETE ROLLERS SHALL HAVE A MINIMUM 28 DAY COMPRESSIVE STRENGTH OF 4,000 psi.

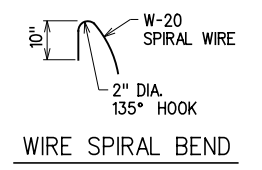


W-20 WIRE SPIRAL

NOTE:
SPIRAL BARS SHALL CONFORM TO AASHTO M32. SPIRAL BAR LENGTH DOES NOT INCLUDE LAP. IF LAP IS REQUIRED, THE LENGTH OF THE LAP SHALL BE AS SHOWN.

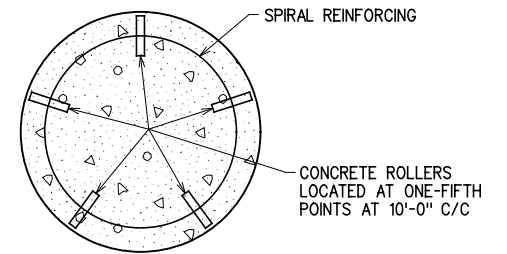


SPIRAL LAP SPLICE

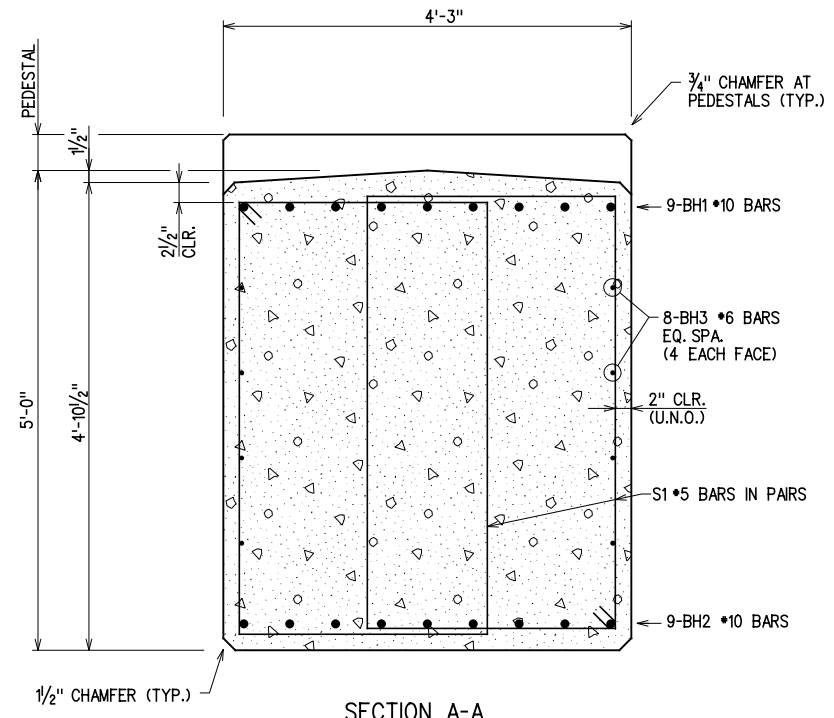


WIRE SPIRAL BEND

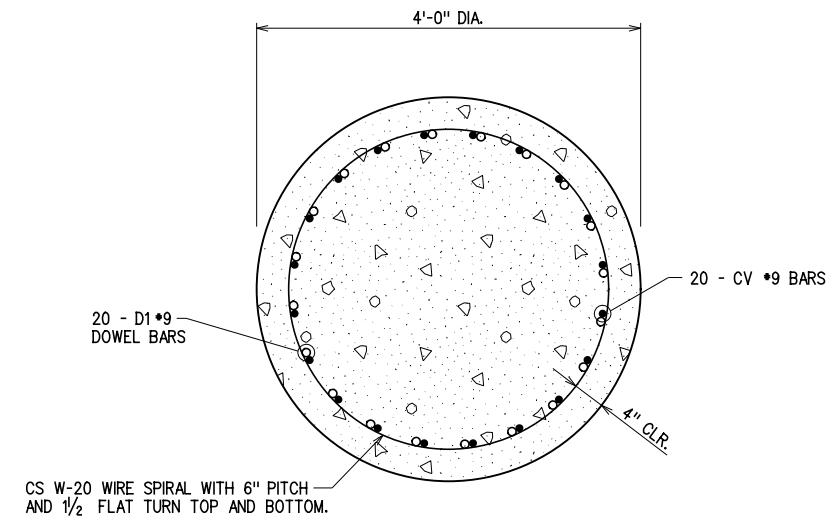
BAR BENDING DIAGRAMS
(ALL DIMENSIONS ARE OUT TO OUT)



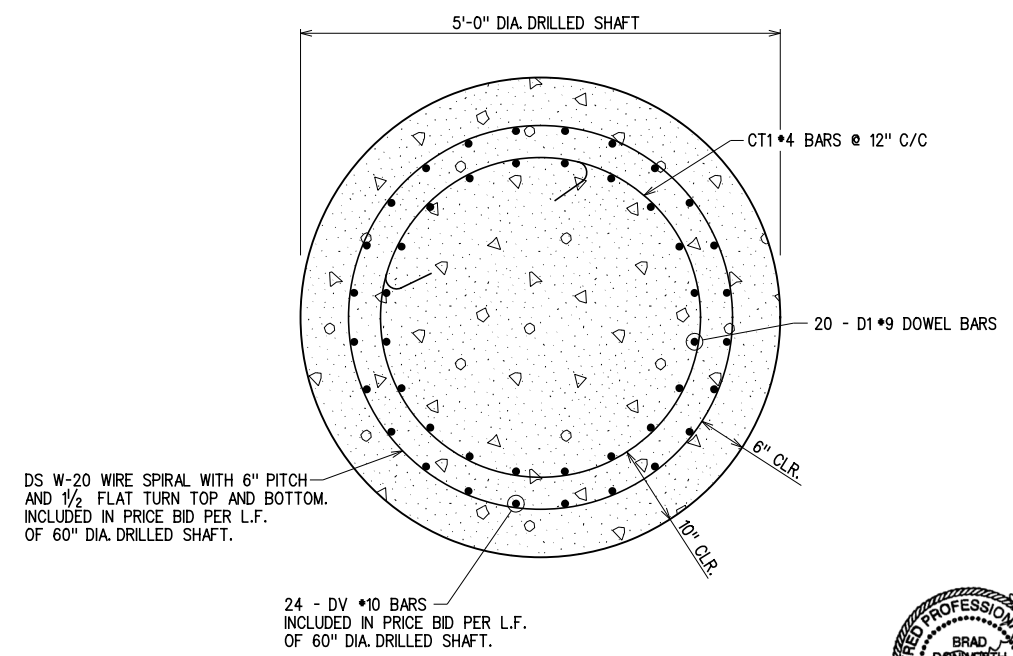
ROLLER PLACEMENT



SECTION A-A



SECTION B-B



SECTION C-C

- NOTES:**
- ALL PIER CAP EXPOSED EDGES SHALL BE CHAMFERED 1/2". ALL PEDESTAL EDGES SHALL BE CHAMFERED 3/4".
 - CONCRETE SURFACE UNDER SUPERSTRUCTURE BEAMS SHALL BE GROUND WITH A CARBORUNDUM BRICK BEFORE PLACEMENT OF BEARING PAD TO SECURE FULL BEARING ON CONCRETE.
 - PIER CONCRETE SHALL BE CLASS "A" HAVING A 28 DAY STRENGTH OF 3,000 psi.
 - DRILLED SHAFT CONCRETE SHALL BE CLASS "AA" HAVING A 28 DAY STRENGTH OF 4,000 psi.

GROSSMAN & KEITH
ENGINEERING COMPANY
10408 GREENBRIAR PL., OKLA. CITY OK. 73159
PH. 691-3213 FAX 691-3214
CA. #74 EXPIRES 06/30/2016

DESIGN		U.S. 277 OVER DEEP RED CREEK	COTTON COUNTY
DRAWN		BRIDGE "B"	
CHECKED		PIER DETAILS (2 OF 2)	
APPROVED		JOB PIECE NO. 28036(04)	SHEET NO. 62
SQUAD	G/K ENGR.		



X:\guernsey\EC-1360\Struc\Bridge_B\PIERDET.dgn 6/2/2016