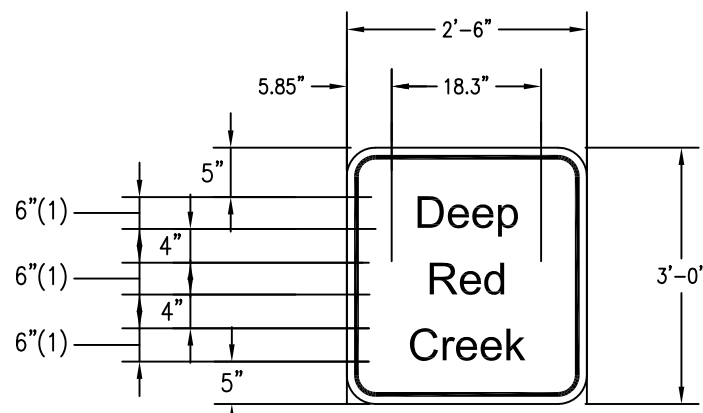
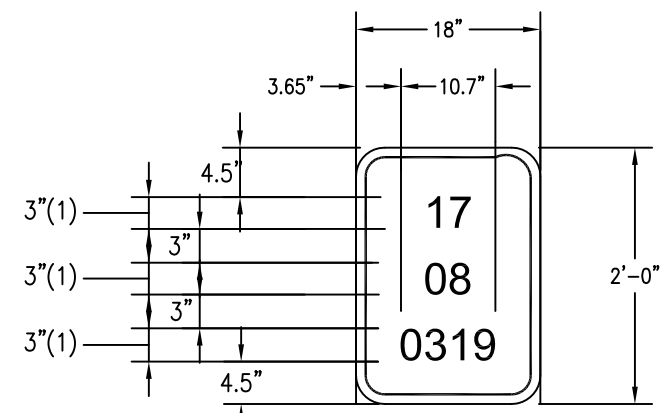


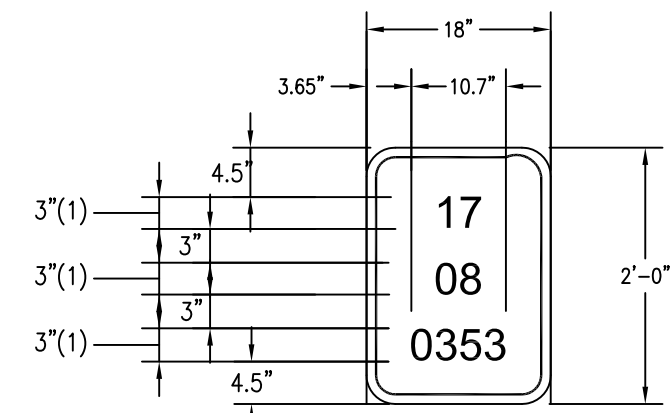
(1) 3" Font ClearviewHwy 4W
 BORDER AND LEGEND WHITE ON GREEN BACKGROUND
 R = 1 1/2"
 TH = 1/2" **SPECIAL SIGN No. 1**
 3.00 S.F.



(1) 4" Font ClearviewHwy 4W
 BORDER AND LEGEND WHITE ON GREEN BACKGROUND
 R = 3"
 TH = 1" **SPECIAL SIGN No. 2**
 7.50 S.F.



(1) 3" Font ClearviewHwy 4W
 BORDER AND LEGEND WHITE ON GREEN BACKGROUND
 R = 1 1/2"
 TH = 1/2" **SPECIAL SIGN No. 3**
 3.00 S.F.



(1) 3" Font ClearviewHwy 4W
 BORDER AND LEGEND WHITE ON GREEN BACKGROUND
 R = 1 1/2"
 TH = 1/2" **SPECIAL SIGN No. 4**
 3.00 S.F.

Design	
Drawn	
Checked	
Approved	
Squad	GUERNSEY

SIGNING AND STRIPING