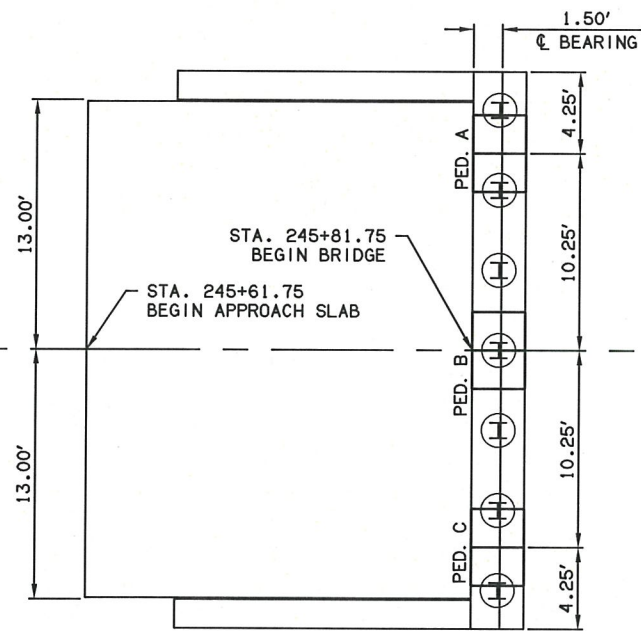
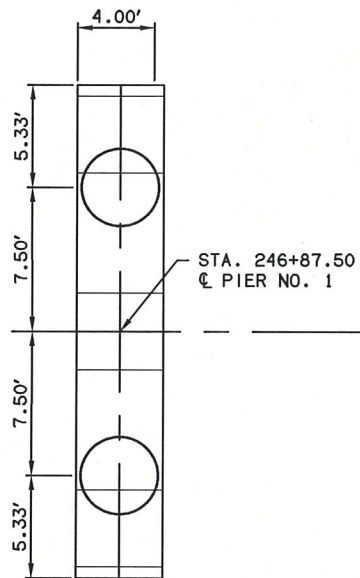


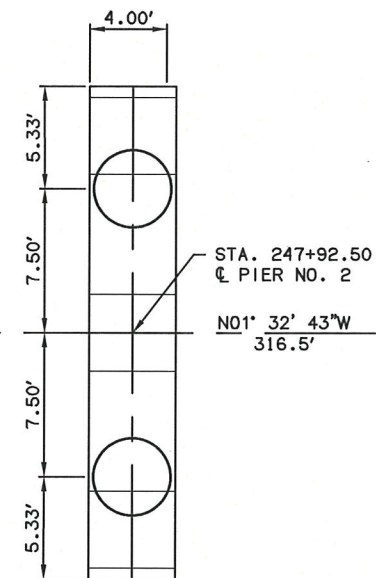
DESCRIPTION	REVISIONS	DATE
-------------	-----------	------



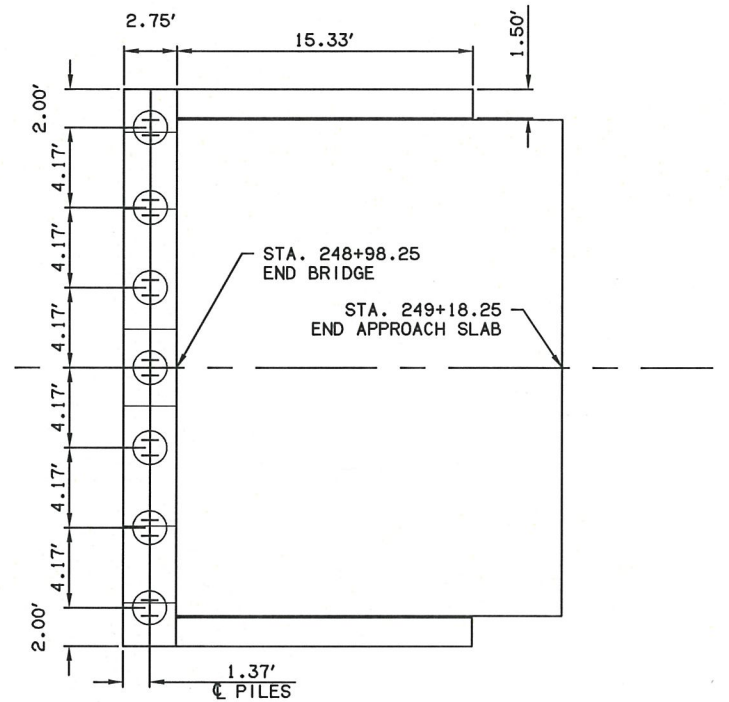
**ABUT. NO. 1**  
CB26-1-SK0-ABUT-PC4



**PIER NO. 1**



**PIER NO. 2**



**ABUT. NO. 2**  
CB26-1-SK0-ABUT-PC4

**STAKING DIAGRAM**  
*Not to Scale*

PEDESTAL HEIGHTS								
	BRIDGE SEAT	LOW CHORD	PEDESTAL A		PEDESTAL B		PEDESTAL C	
			ELEV. (ft)	HEIGHT (ft)	ELEV. (ft)	HEIGHT (ft)	ELEV. (ft)	HEIGHT (ft)
ABUTMENT 1	647.73	647.98	647.89	0.17	648.09	0.37	647.89	0.17
ABUTMENT 2	646.16	646.41	646.33	0.17	646.53	0.37	646.33	0.17

Wednesday, December 02, 2015 2:41:02 PM V:\13-828E Berrington Hollow Br 22 & LWC-Cherokee 2-CED2\CIV3D\PLANS\828-SUBSTRUCTURE STAKING BRIDGE B.dwg

DESIGN	RAA	12/15	<b>OKLAHOMA DEPARTMENT OF TRANSPORTATION</b> <b>GUY ENGINEERING SERVICES, INC.</b> <b>SUBSTRUCTURE STAKING</b> <b>BRIDGE 'B'</b> STATE JOB NO. 29394(04) SHEET NO. 31 CHEROKEE COUNTY BARRINGTON HOLLOW BR 22 & LWC
DRAWN	ALM	12/15	
CHECKED	RAP	12/15	
APPROVED	RAA	12/15	
SQUAD			