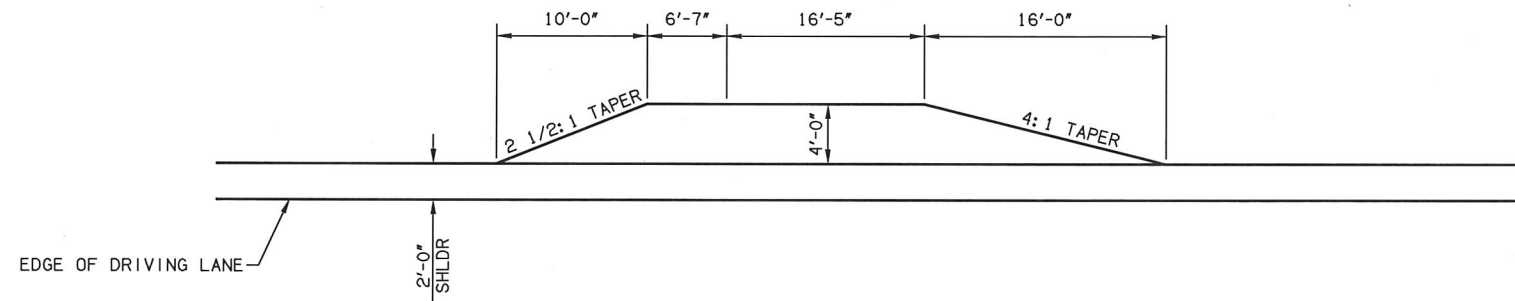


DESCRIPTION	REVISIONS	DATE

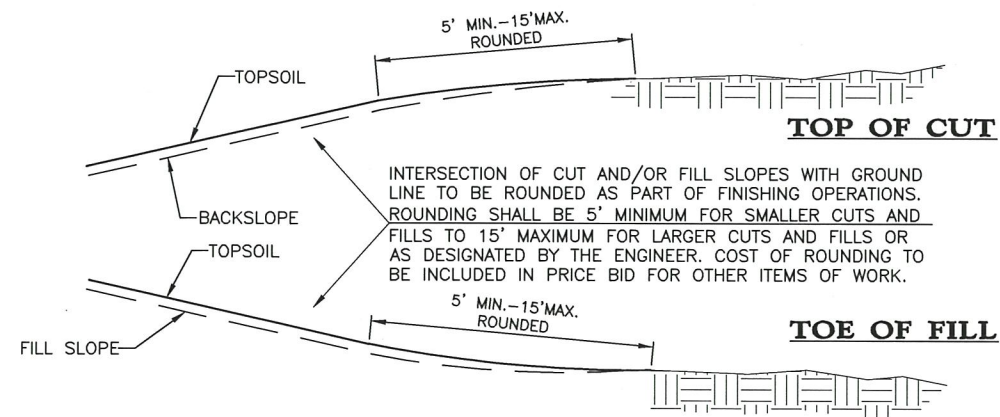


**MAILBOX RETURN INSTALLATION**

SEE SHEET 8 FOR SUMMARY

Not To Scale

NOTE:  
PAVEMENT WIDENING SHALL BE 3" T.B.S.C. TYPE E.



**ROUNDING DETAIL**

Not To Scale

DESIGN	RAA	12/15	<b>OKLAHOMA DEPARTMENT OF TRANSPORTATION</b> <b>GUY ENGINEERING SERVICES, INC.</b>  <b>TYPICAL SECTIONS (2)</b>  STATE JOB NO. 29394(04) SHEET NO. 3 CHEROKEE COUNTY BARRINGTON HOLLOW BR 22 & LWC
DRAWN	ALM	12/15	
CHECKED	RAP	12/15	
APPROVED	RAA	12/15	
SQUAD			