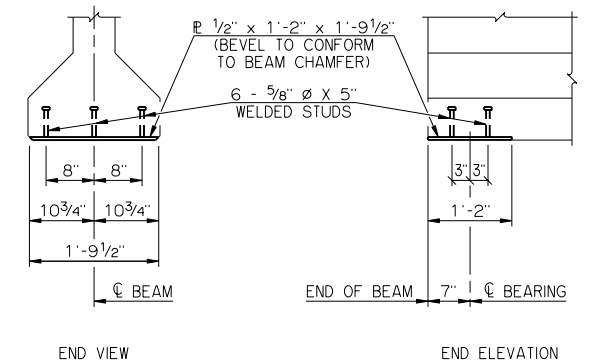
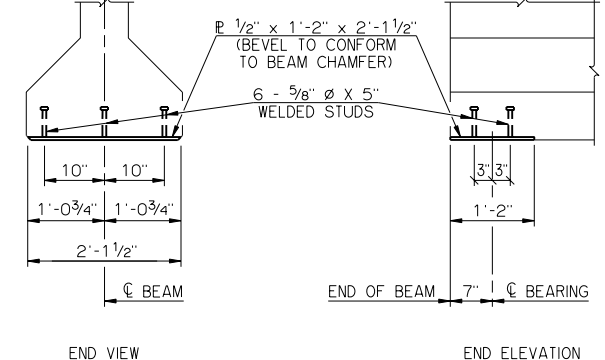


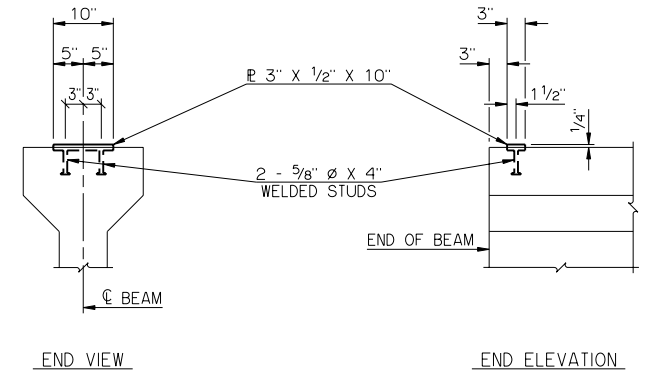
TYPE II AND TYPE B P.C. BEAMS



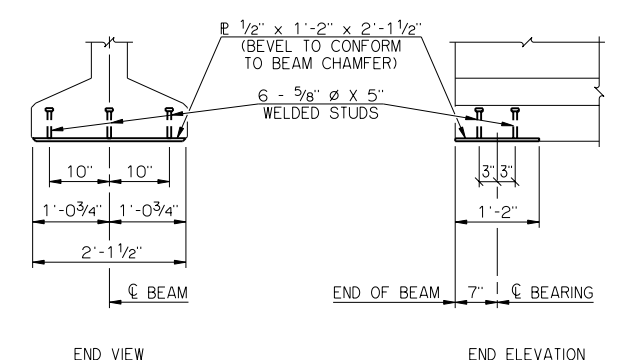
TYPE III AND TYPE C P.C. BEAMS



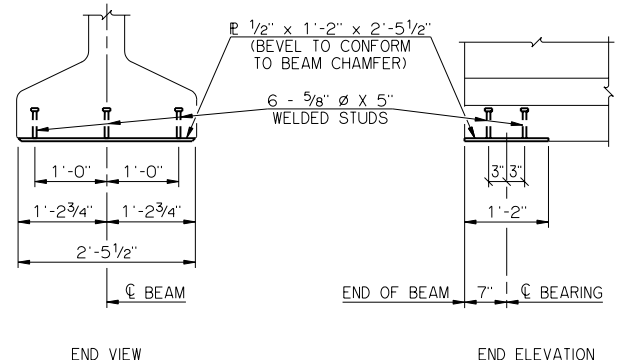
TYPE IV P.C. BEAMS



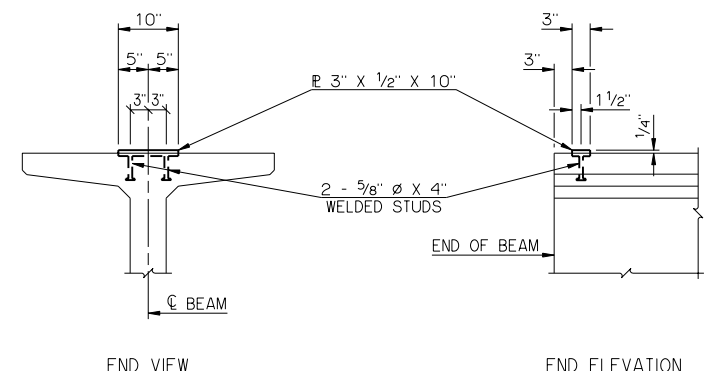
ENCASED BEAM PLATE DETAILS



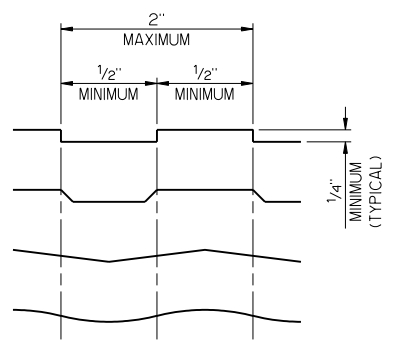
TYPE BT-72 P.C. BEAMS



TYPE J P.C. BEAMS



ENCASED SOLE PLATE DETAILS



INTENTIONALLY ROUGHENED SURFACE EXAMPLES

TOP SURFACE OF P.C. BEAMS SHALL BE INTENTIONALLY ROUGHENED TO A MINIMUM HEIGHT OF 1/4" OVER A MAXIMUM PITCH OF 2" MEASURED LONGITUDINALLY ALONG THE LENGTH OF THE BEAM. THE CREST AND TROUGH ASSOCIATED WITH THE HEIGHT SHALL NOT BE LESS THAN 1/2" AND SHALL EXTEND THE FULL WIDTH OF THE TOP FLANGE. ROUGHENED SURFACE MAY BE OBTAINED BY A SPECIAL TROWEL AS SHOWN IN THE EXAMPLES, BY CLEANING THE CONCRETE SURFACE WITH A STIFF WIRE BRUSH OR BLASTING TO THE EXTENT THAT AGGREGATE IS EXPOSED TO A HEIGHT OF 1/4", OR BY ANOTHER METHOD APPROVED BY THE ENGINEER.

APPROVED BY BRIDGE ENGINEER *Robert J. Rusk* DATE 10/16/05
 OKLAHOMA DEPARTMENT OF TRANSPORTATION
 COUNTY BRIDGE STANDARD (ENGLISH)
P.C. BEAM DETAILS
 TYPE II, B, III, C, IV, BT-72 AND J P.C. BEAMS
 (SHEET NO. 2 OF 2)
 26' AND 32' CLEAR ROADWAYS - CONVENTIONAL AND INTEGRAL - SKEWED 0° AND 30°
 1999 STANDARD SPECIFICATIONS CB26..32-C.I-SKO..30-PCB-DTL-2 OOE CB-959E