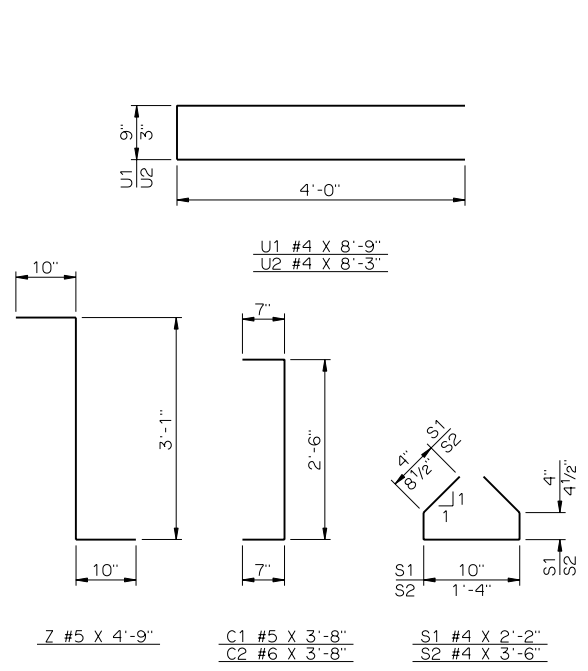
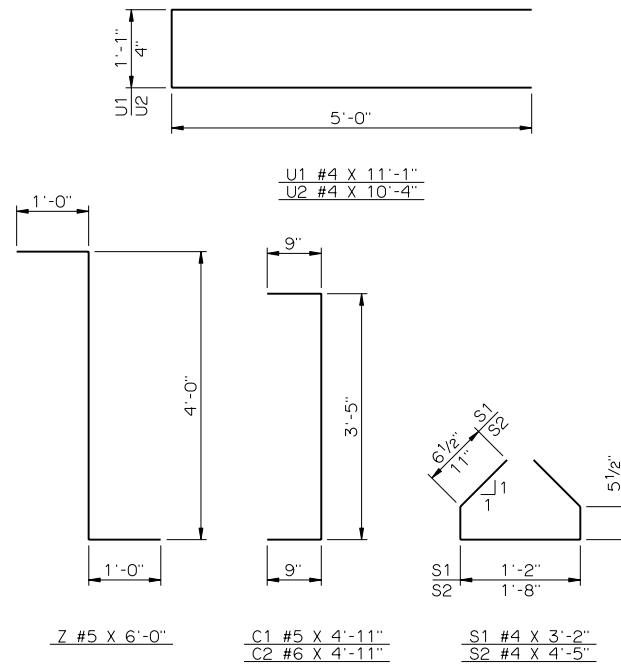


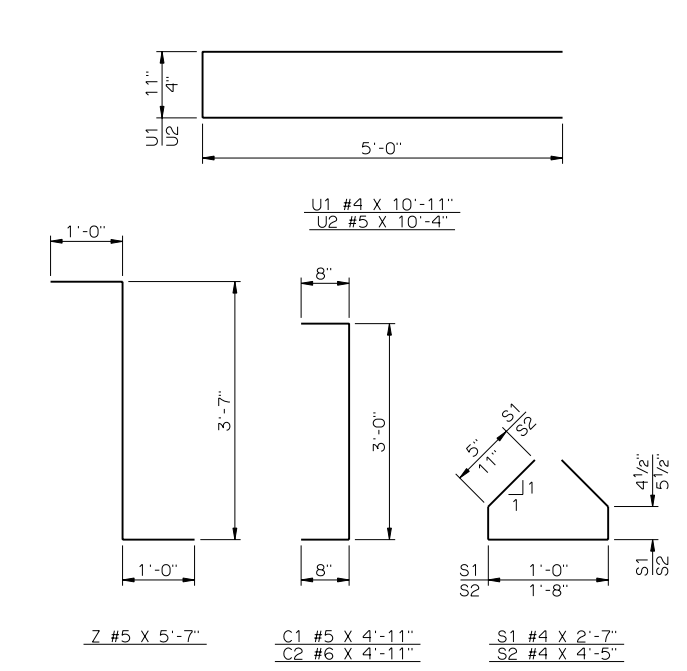
TYPE II P.C. BEAMS



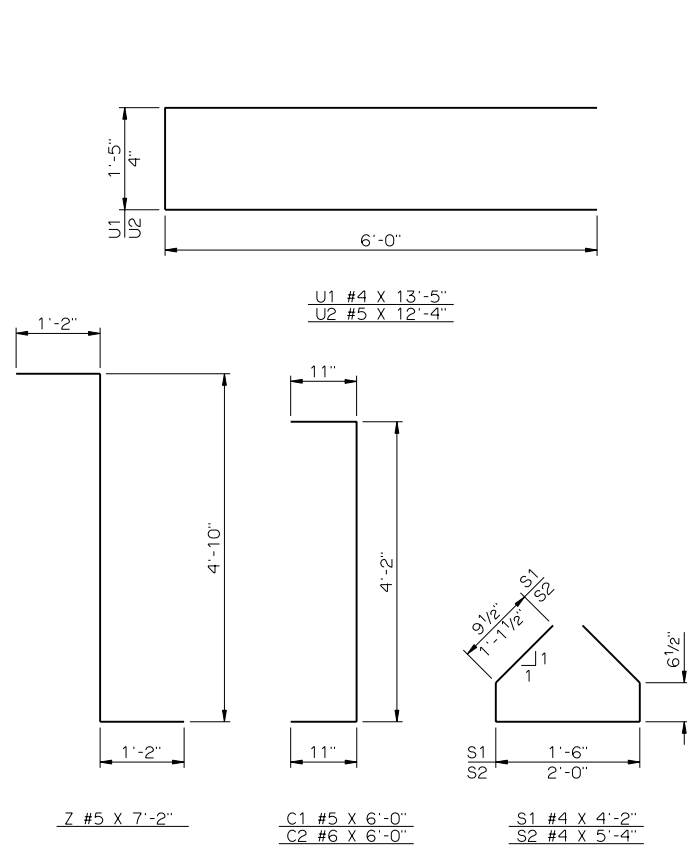
TYPE B P.C. BEAMS



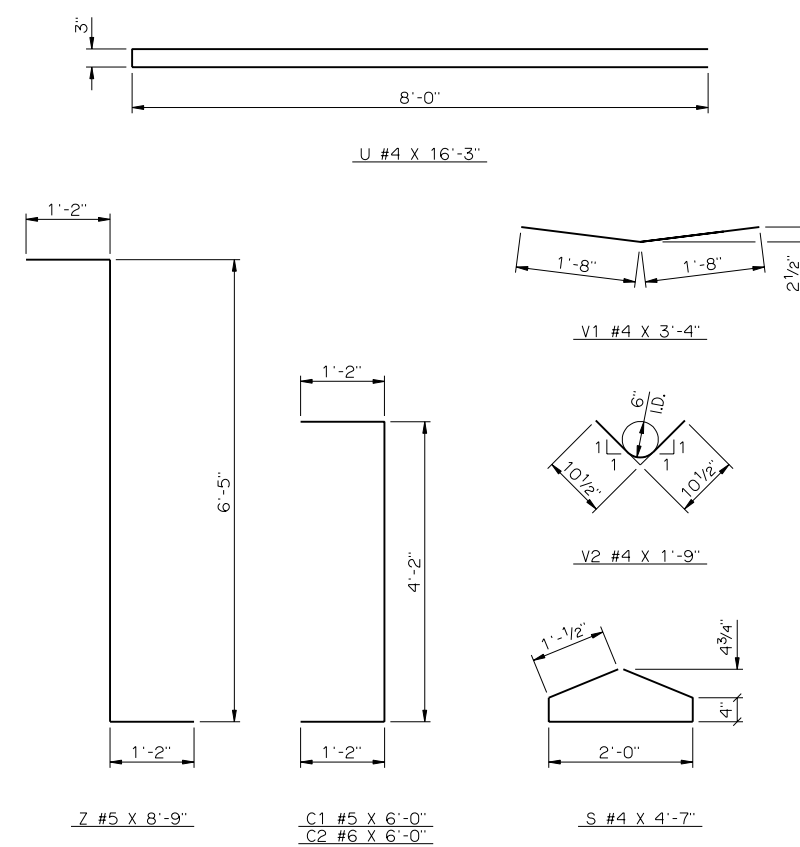
TYPE III P.C. BEAMS



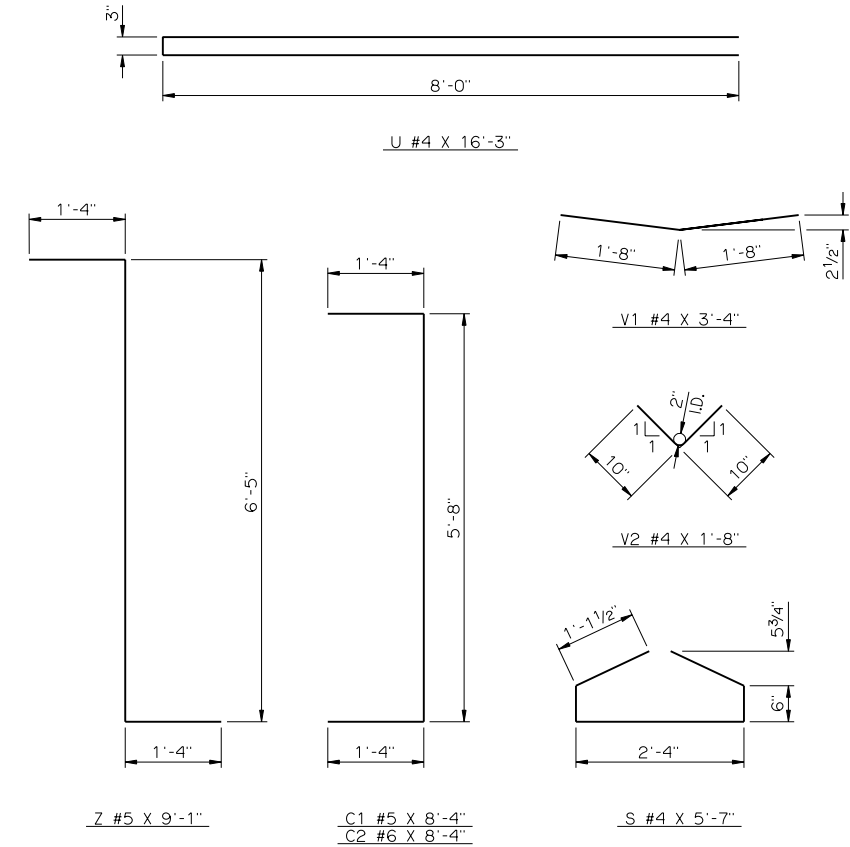
TYPE C P.C. BEAMS



TYPE IV P.C. BEAMS



TYPE BT-72 P.C. BEAMS



TYPE J P.C. BEAMS

DETAILS OF BENT REINFORCING STEEL

APPROVED BY BRIDGE ENGINEER *Robert J. Rusk* DATE 10/16/05

OKLAHOMA DEPARTMENT OF TRANSPORTATION  
COUNTY BRIDGE STANDARD (ENGLISH)

P.C. BEAM DETAILS  
TYPE II, B, III, C, IV, BT-72 AND J P.C. BEAMS  
(SHEET NO. 1 OF 2)

26' AND 32' CLEAR ROADWAYS - CONVENTIONAL AND INTEGRAL - SKEWED 0° AND 30°  
1999 STANDARD SPECIFICATIONS CB26..32-C.I-SKO.30-PCB-DTL-1 OOE  
CB-958E