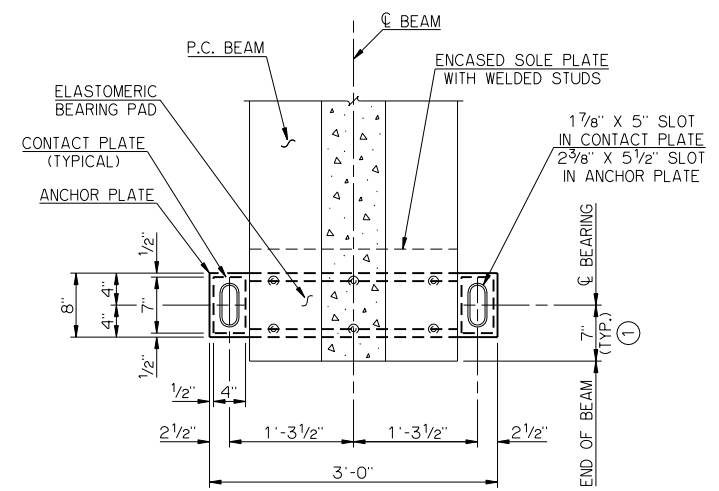
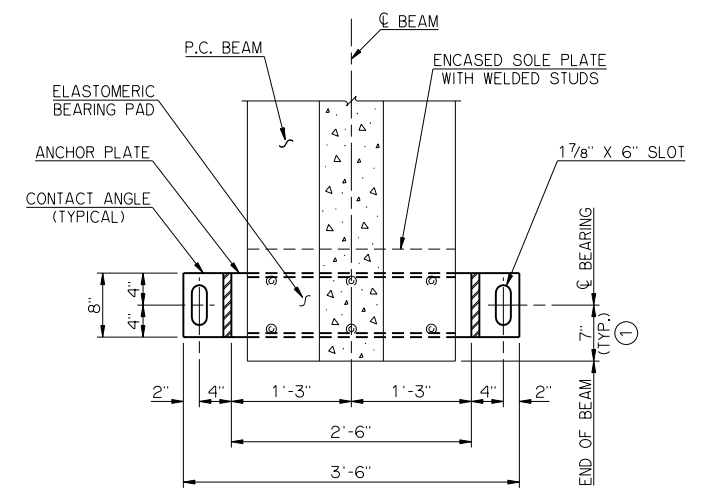


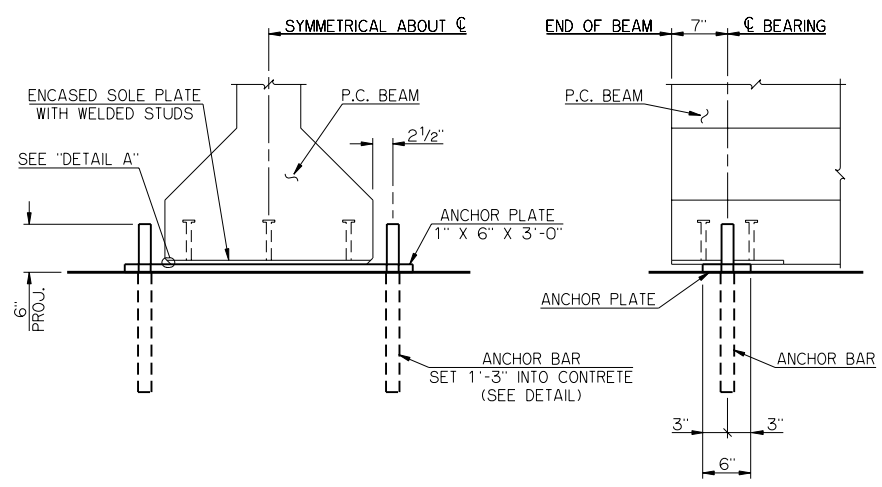
PLAN
ANCHOR BARS NOT SHOWN



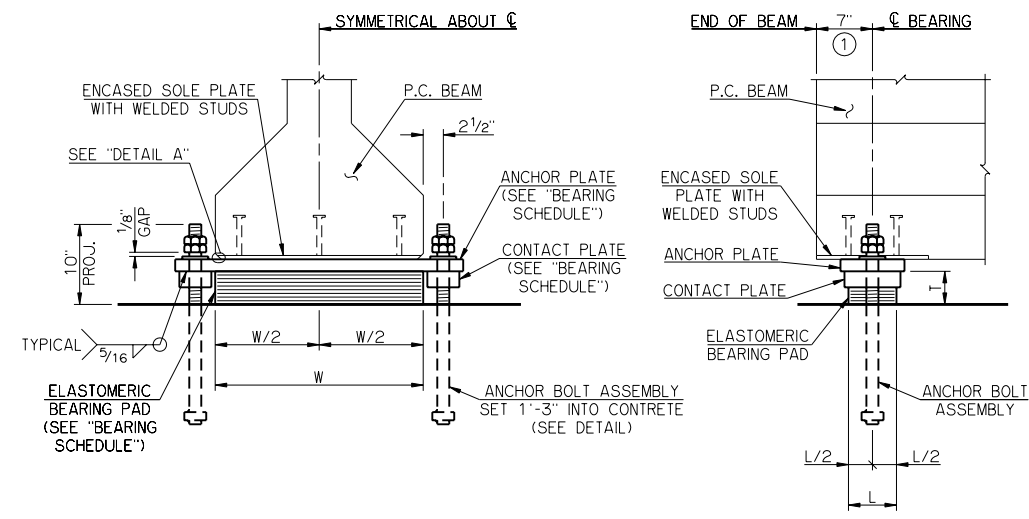
PLAN
ANCHOR BOLT ASSEMBLIES NOT SHOWN



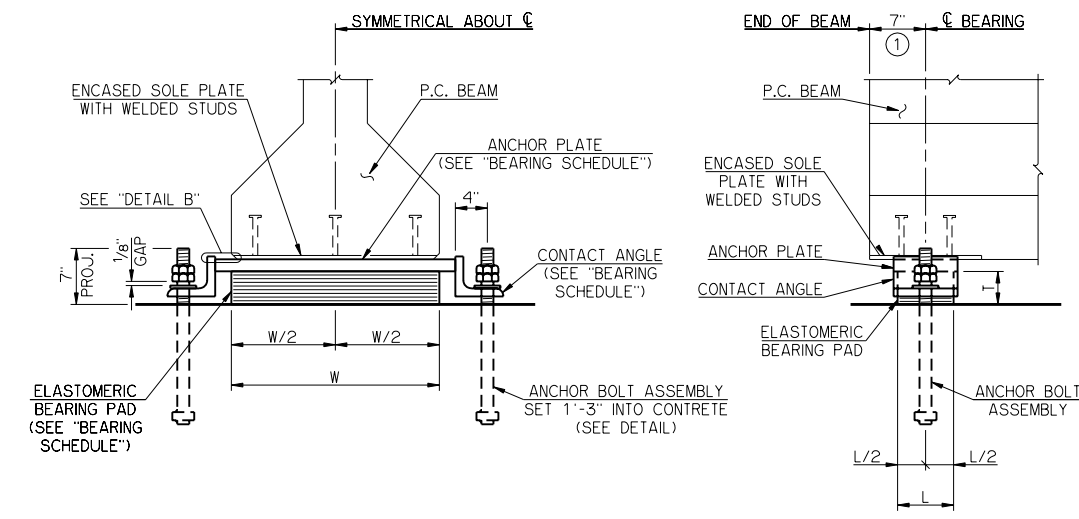
PLAN
ANCHOR BOLT ASSEMBLIES NOT SHOWN



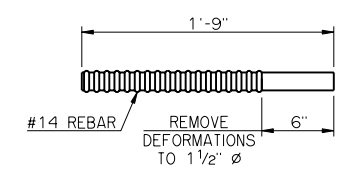
END VIEW
SIDE VIEW
ABUTMENT BEARING DETAILS



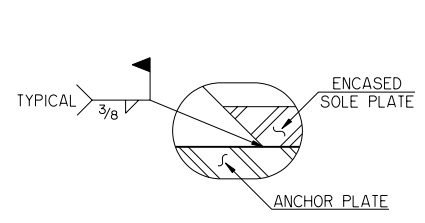
END VIEW
SIDE VIEW
PIER BEARING DETAILS
85' THRU 95' SPANS



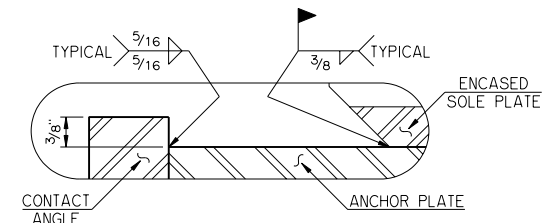
END VIEW
SIDE VIEW
PIER BEARING DETAILS
100' THRU 130' SPANS



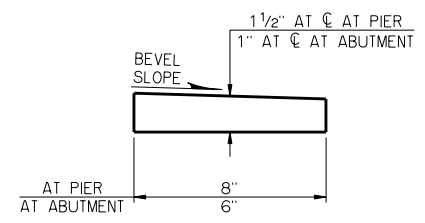
ANCHOR BAR DETAIL



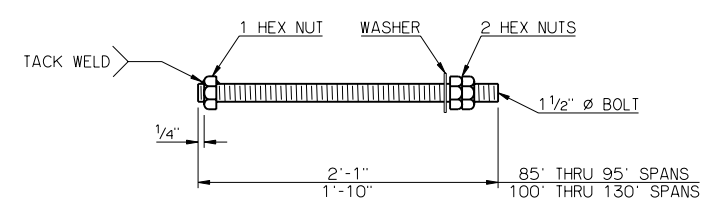
DETAIL A



DETAIL B



BEVELED ANCHOR PLATE DETAIL
BEVELED ANCHOR PLATE IS REQUIRED WHEN ANGLE BETWEEN UNDERSIDE OF BEAM AND HORIZONTAL EXCEEDS 1.0%. BEVEL SLOPE TO MATCH ANGLE BETWEEN BEAM AND HORIZONTAL. PAINT THICKER EDGE RED.



ANCHOR BOLT ASSEMBLY DETAIL

SPAN	ANCHOR PLATE	CONTACT PLATE OR CONTACT ANGLE (2)	60 DUROMETER ELASTOMERIC BEARING PAD			MAXIMUM EXPANSION LENGTH WITHOUT BONDING	
			SIZE (T X L X W)	COVER LAYER	INNER LAYER		
85'	1 1/2" X 8" X 3'-0"	PL 1 3/4" X 4" X 7"	4 1/8" X 6" X 2'-2"	2-1/4"	7-3/8"	8-1/8"	310'
90'	1 1/2" X 8" X 3'-0"	PL 2" X 4" X 7"	4 1/8" X 6" X 2'-2"	2-1/4"	7-3/8"	8-1/8"	310'
95'	1 1/2" X 8" X 3'-0"	PL 2" X 4" X 7"	4 1/8" X 6" X 2'-2"	2-1/4"	7-3/8"	8-1/8"	310'
100'	1 1/2" X 8" X 2'-6"	L 6 X 5 X 1 X 8"	4 1/8" X 6" X 2'-2"	2-1/4"	7-3/8"	8-1/8"	310'
105'	1 1/2" X 8" X 2'-6"	L 6 X 5 X 1 X 8"	4 1/8" X 6 1/2" X 2'-2"	2-1/4"	7-3/8"	8-1/8"	310'
110'	1 1/2" X 8" X 2'-6"	L 6 X 5 X 1 X 8"	4 1/8" X 6 1/2" X 2'-2"	2-1/4"	7-3/8"	8-1/8"	310'
115'	1 1/2" X 8" X 2'-6"	L 6 X 5 X 1 X 8"	4 1/8" X 6 1/2" X 2'-2"	2-1/4"	7-3/8"	8-1/8"	310'
120'	1 1/2" X 8" X 2'-6"	L 6 X 5 X 1 X 8"	4 1/8" X 6 1/2" X 2'-2"	2-1/4"	7-3/8"	8-1/8"	310'
125'	1 1/2" X 8" X 2'-6"	L 6 X 5 X 1 X 8"	4 1/8" X 7" X 2'-2"	2-1/4"	7-3/8"	8-1/8"	310'
130'	1 1/2" X 8" X 2'-6"	L 6 X 5 X 1 X 8"	4 1/8" X 7" X 2'-2"	2-1/4"	7-3/8"	8-1/8"	310'

① ANCHOR BOLTS SHALL BE CENTERED IN SLOTS DURING SETTING OF BEAMS. DIMENSION MAY VARY AT EXPANSION BEARING DEPENDING ON TEMPERATURE AT THE TIME OF BEAM SETTING.
② FABRICATE L 6 X 5 X 1 BY CUTTING 1" FROM VERTICAL LEG OF L 6 X 6 X 1.

APPROVED BY BRIDGE ENGINEER *Robert J. Rusch* DATE 10/16/05
OKLAHOMA DEPARTMENT OF TRANSPORTATION
COUNTY BRIDGE STANDARD (ENGLISH)
**BEARING DETAILS
TYPE IV AND TYPE BT-72 P.C. BEAMS**
32' CLEAR ROADWAY - INTEGRAL - SKEWED 0°
1999 STANDARD SPECIFICATIONS CB32-I-SKO-BRG-PC4 OOE CB-890E