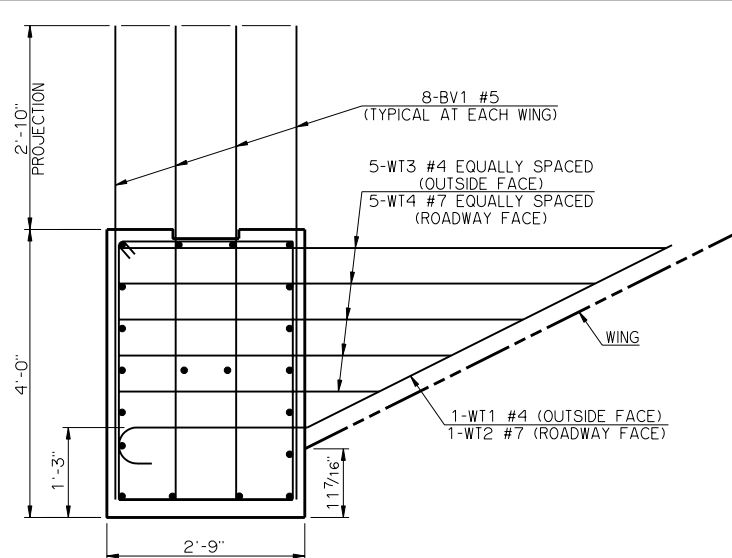


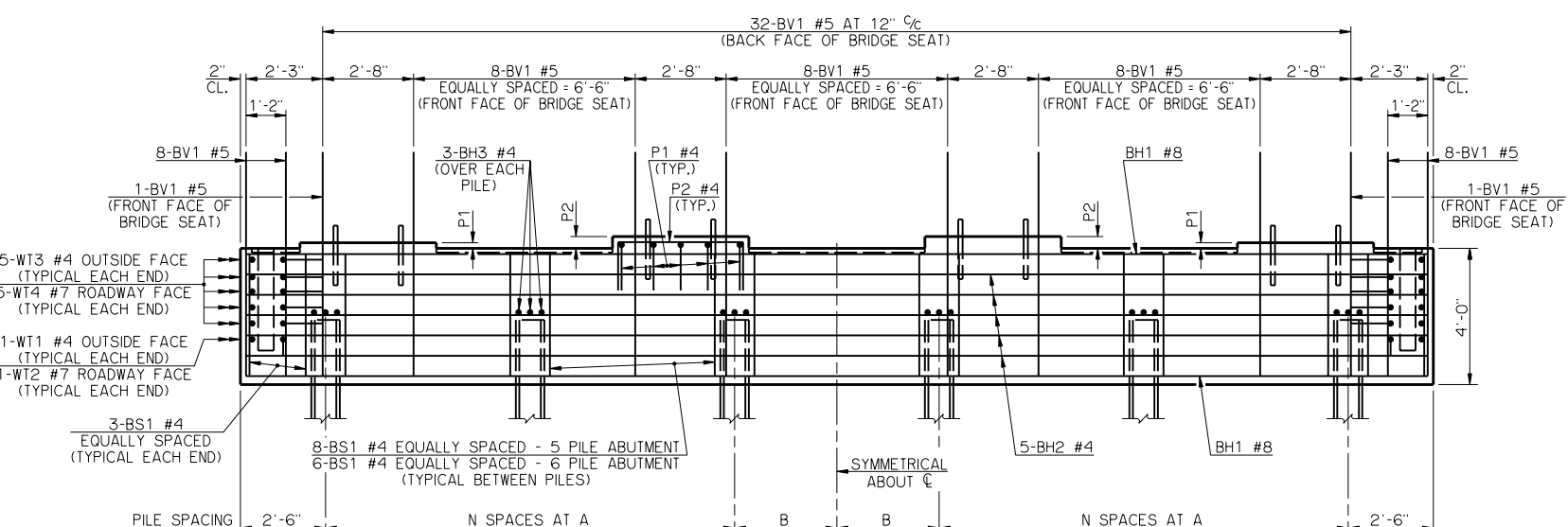
PLAN



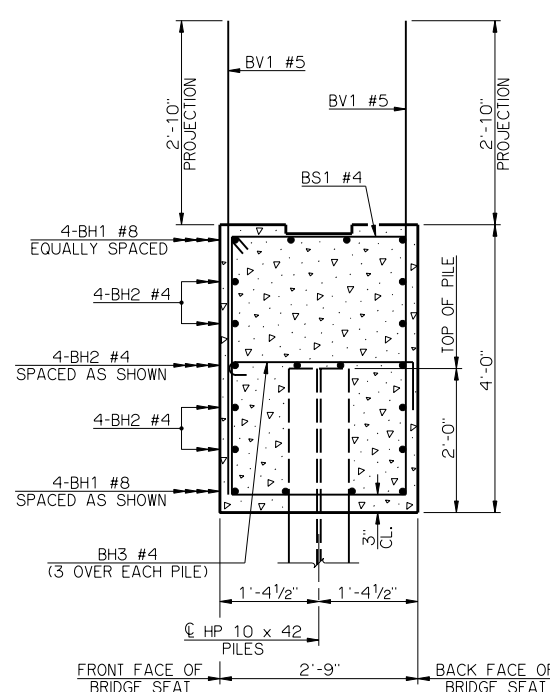
VIEW A-A

PEDESTAL DIMENSIONS		
BEAM TYPE	P1	P2
TYPE II	2"	4 3/16"
TYPE B	4"	6 3/16"

PILE SCHEDULE					
SPAN	TOTAL NUMBER OF PILES	N SPACES	A	B	MAXIMUM FACTORED PILE LOAD
30'	5	2	7'-6"	0'-0"	61.8 TON
35'	5	2	7'-6"	0'-0"	65.5 TON
40'	5	2	7'-6"	0'-0"	68.9 TON
45'	5	2	7'-6"	0'-0"	72.2 TON
50'	5	2	7'-6"	0'-0"	75.3 TON
55'	5	2	7'-6"	0'-0"	78.3 TON
60'	6	2	6'-0"	3'-0"	67.7 TON
65'	6	2	6'-0"	3'-0"	70.1 TON



ELEVATION



TYPICAL SECTION THRU BRIDGE SEAT

BAR LIST - ONE ABUTMENT					
MARK	NO.	SIZE	FORM	LENGTH	LENGTH VARIATION
BH1	8	#8	STR.	34'-8"	-
BH2	12	#4	STR.	34'-8"	-
BV1	74	#5	STR.	6'-7"	-
P1	20	#4	BNT.	5'-3"	-
P2	16	#4	BNT.	6'-6"	-
WT1	2	#4	BNT.	5'-2"	-
WT2	2	#7	BNT.	9'-1"	-
WT3	10	#4	STR.	5'-7 1/2" AVG.	3'-7" TO 7'-8"
WT4	10	#7	BNT.	6'-9 1/2" AVG.	4'-9" TO 8'-10"
ADDITIONAL BARS TO BE USED WITH 5 PILE ABUTMENTS					
BH3	15	#4	BNT.	3'-7"	-
BS1	38	#4	BNT.	12'-9"	-
ADDITIONAL BARS TO BE USED WITH 6 PILE ABUTMENTS					
BH3	18	#4	BNT.	3'-7"	-
BS1	36	#4	BNT.	12'-9"	-

① NO. INCLUDES TWO SETS OF 5 BARS

SUMMARY OF QUANTITIES - ONE ABUTMENT ②

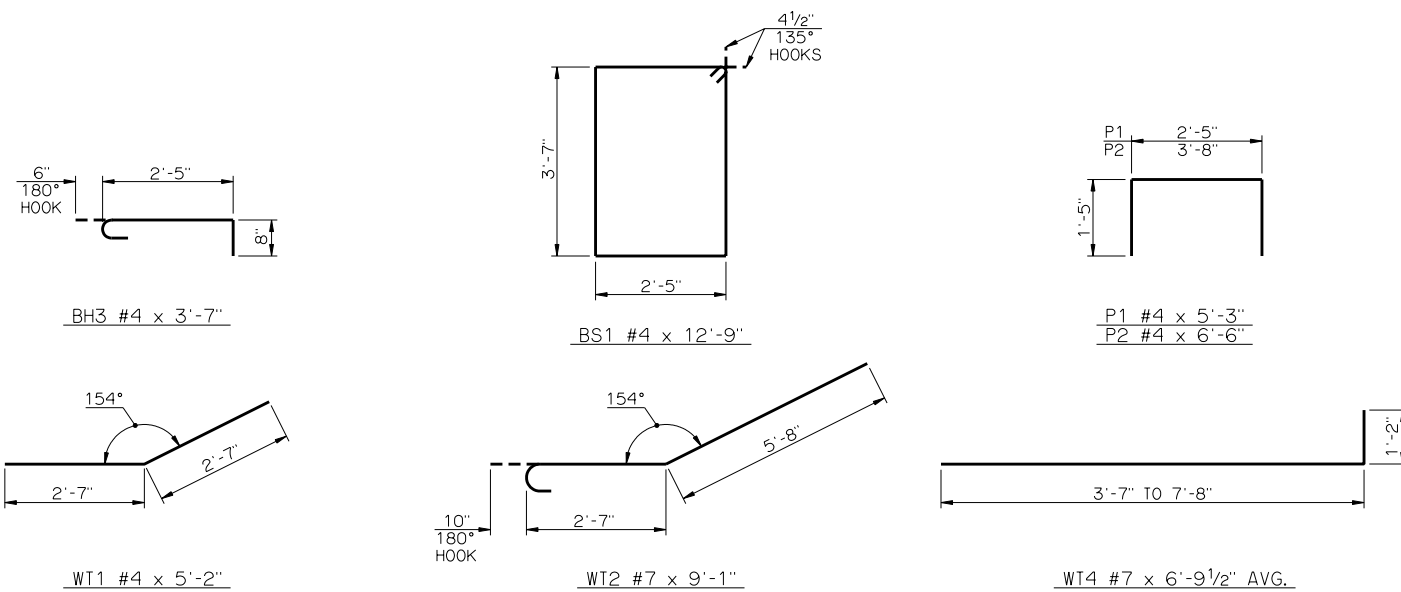
ITEM	UNIT	TOTAL
SUBSTRUCTURE EXCAVATION COMMON	CY	40.00
GRANULAR BACKFILL	CY	28.00
CLASS A CONCRETE	CY	14.80
REINFORCING STEEL	LB	2,250.00
PILES, FURNISHED (HP 10 x 42)	LF	-
PILES, DRIVEN (HP 10 x 42)	LF	-
6" PERFORATED PIPE UNDERDRAIN ROUND	LF	33.00
6" NON-PERF. PIPE UNDERDRAIN RND.	LF	-

② EXCLUDES WINGS

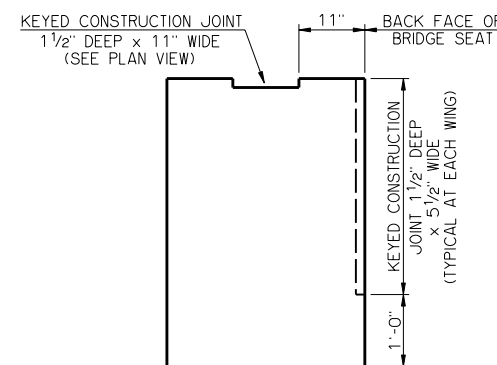
NOTES

ABUTMENT WING CONCRETE SHALL NOT BE POURED UNTIL THE ABUTMENT DIAPHRAGMS OF THE SUPERSTRUCTURE AND THE DECK SLAB CONCRETE HAVE ATTAINED A STRENGTH OF 3,000 PSI.

ALL WT WING REINFORCING STEEL TIED TO BRIDGE SEAT REINFORCING STEEL MUST BE IN PLACE PRIOR TO POURING THE BRIDGE SEAT CONCRETE.



DETAILS OF BENT REINFORCING STEEL



DETAIL OF CONSTRUCTION JOINTS

APPROVED BY BRIDGE ENGINEER *Robert J. Rusch* DATE 10/16/08

OKLAHOMA DEPARTMENT OF TRANSPORTATION
COUNTY BRIDGE STANDARD (ENGLISH)

ABUTMENT DETAILS
TYPE II AND TYPE B P.C. BEAMS

32' CLEAR ROADWAY - INTEGRAL - SKEWED 0°

1999 STANDARD SPECIFICATIONS CB32-I-SKO-ABUT-PC2 OOE CB-749E