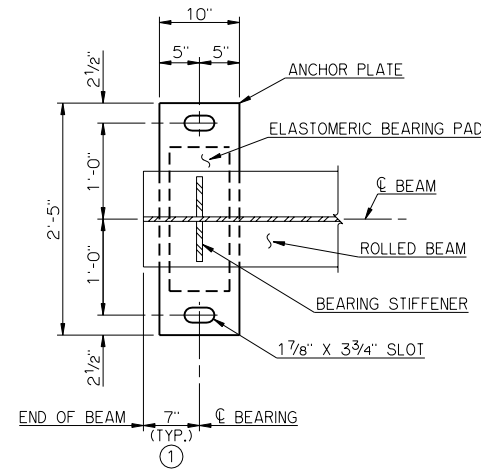
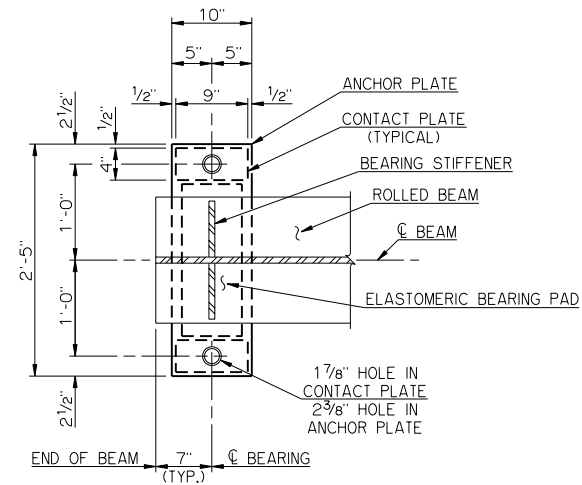


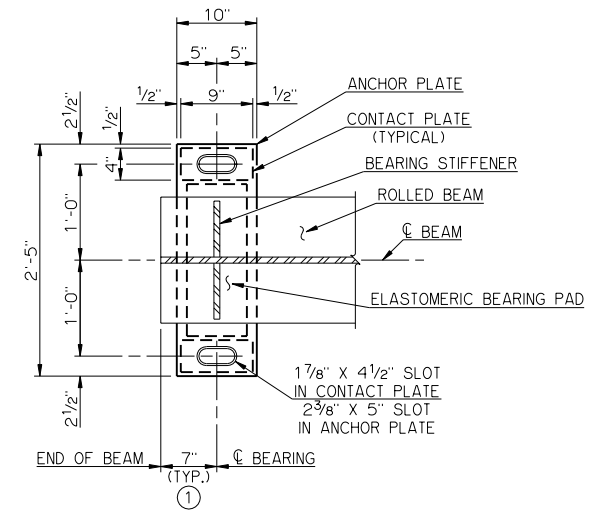
FIXED BEARING PLAN
ANCHOR BOLT ASSEMBLIES NOT SHOWN



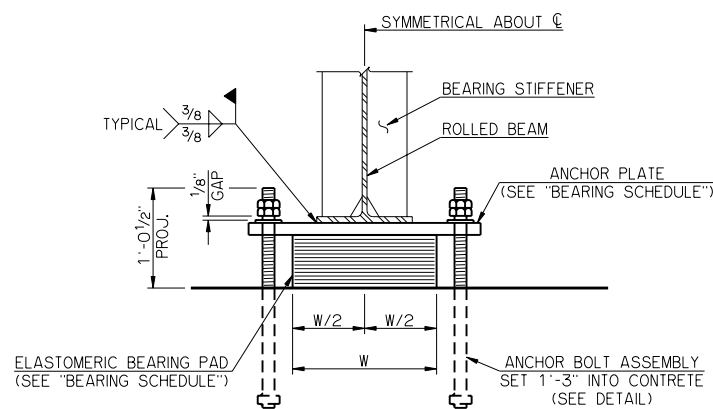
EXPANSION BEARING PLAN
ANCHOR BOLT ASSEMBLIES NOT SHOWN



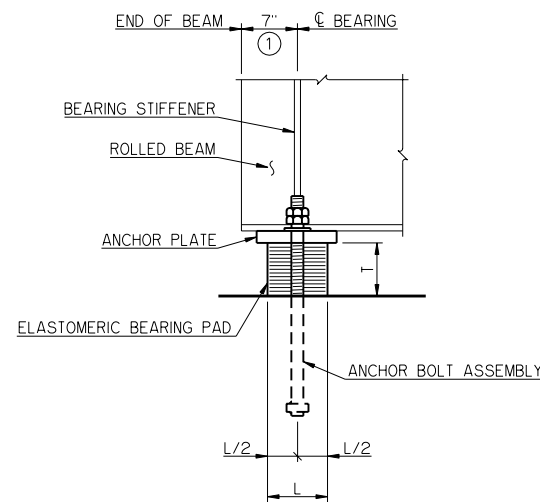
FIXED BEARING PLAN
ANCHOR BOLT ASSEMBLIES NOT SHOWN



EXPANSION BEARING PLAN
ANCHOR BOLT ASSEMBLIES NOT SHOWN

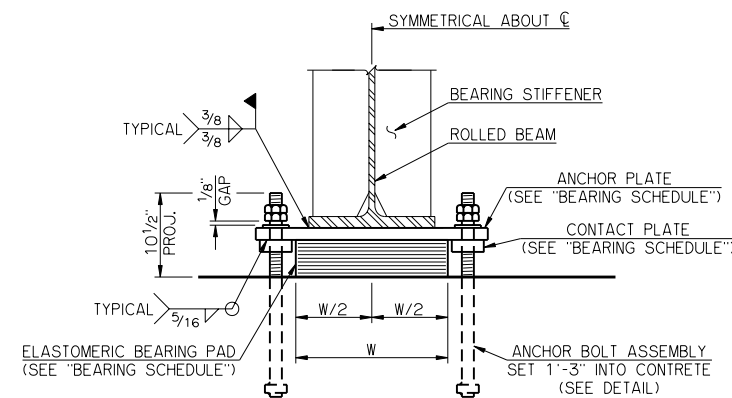


END VIEW

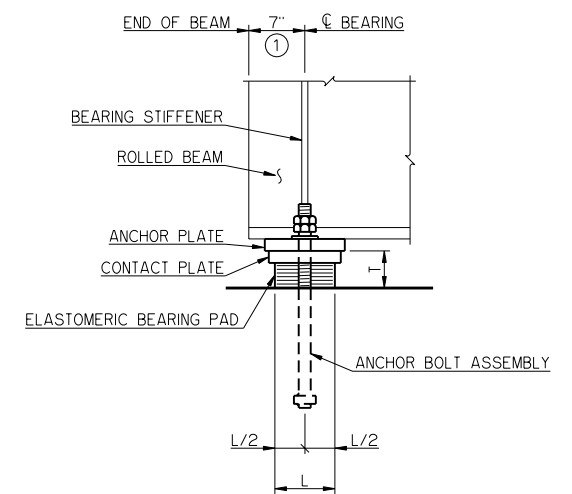


SIDE VIEW

BEARING DETAILS
30' THRU 65' SPANS

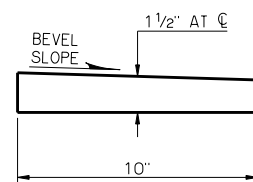


END VIEW



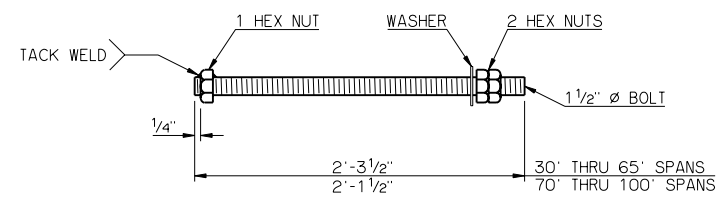
SIDE VIEW

BEARING DETAILS
70' THRU 100' SPANS



BEVELED ANCHOR PLATE DETAIL

BEVELED ANCHOR PLATE IS REQUIRED WHEN ANGLE BETWEEN UNDERSIDE OF BEAM AND HORIZONTAL EXCEEDS 1.0%. BEVEL SLOPE TO MATCH ANGLE BETWEEN BEAM AND HORIZONTAL. PAINT THICKER EDGE RED.



ANCHOR BOLT ASSEMBLY DETAIL

SPAN	ANCHOR PLATE	CONTACT PLATE	60 DUROMETER ELASTOMERIC BEARING PAD			MAXIMUM EXPANSION LENGTH WITHOUT BONDING
			SIZE (T X L X W)	COVER LAYER	INNER LAYER	
30'	1 1/2" X 10" X 2'-5"	---	6 3/8" x 6 1/2" x 1'-4"	2-1/4"	12-3/8"	80'
35'	1 1/2" X 10" X 2'-5"	---	6 5/8" x 6 3/4" x 1'-4"	2-1/4"	12-3/8"	95'
40'	1 1/2" X 10" X 2'-5"	---	6 5/8" x 7" x 1'-4"	2-1/4"	12-3/8"	105'
45'	1 1/2" X 10" X 2'-5"	---	6 1/8" x 7 1/4" x 1'-4"	2-1/4"	11-3/8"	105'
50'	1 1/2" X 10" X 2'-5"	---	5 5/8" x 7 1/4" x 1'-4"	2-1/4"	10-3/8"	110'
55'	1 1/2" X 10" X 2'-5"	---	5 5/8" x 7 1/2" x 1'-4"	2-1/4"	10-3/8"	115'
60'	1 1/2" X 10" X 2'-5"	---	5 1/8" x 7" x 1'-6"	2-1/4"	9-3/8"	115'
65'	1 1/2" X 10" X 2'-5"	---	4 5/8" x 7" x 1'-6"	2-1/4"	8-3/8"	115'
70'	1 1/2" X 10" X 2'-5"	1/2" x 4" x 9"	4 5/8" x 7 1/4" x 1'-6"	2-1/4"	8-3/8"	115'
75'	1 1/2" X 10" X 2'-5"	1/2" x 4" x 9"	4 1/8" x 7 1/4" x 1'-6"	2-1/4"	7-3/8"	115'
80'	1 1/2" X 10" X 2'-5"	1/2" x 4" x 9"	4 1/8" x 7" x 1'-7"	2-1/4"	7-3/8"	125'
85'	1 1/2" X 10" X 2'-5"	3/4" x 4" x 9"	4 1/8" x 7 1/4" x 1'-7"	2-1/4"	7-3/8"	130'
90'	1 1/2" X 10" X 2'-5"	1" x 4" x 9"	4 1/8" x 7 1/4" x 1'-7"	2-1/4"	7-3/8"	140'
95'	1 1/2" X 10" X 2'-5"	1 1/4" x 4" x 9"	4 1/8" x 7 1/4" x 1'-7"	2-1/4"	7-3/8"	150'
100'	1 1/2" X 10" X 2'-5"	1 1/2" x 4" x 9"	4 1/8" x 7 1/2" x 1'-7"	2-1/4"	7-3/8"	155'

① ANCHOR BOLTS SHALL BE CENTERED IN SLOTS DURING SETTING OF BEAMS. DIMENSION MAY VARY AT EXPANSION BEARING DEPENDING ON TEMPERATURE AT THE TIME OF BEAM SETTING.

APPROVED BY BRIDGE ENGINEER *Robert J. Rusch* DATE 10/16/06

OKLAHOMA DEPARTMENT OF TRANSPORTATION
COUNTY BRIDGE STANDARD (ENGLISH)

BEARING DETAILS
ROLLED BEAMS

32' CLEAR ROADWAY - CONVENTIONAL - SKEWED 0° AND 30°
1999 STANDARD SPECIFICATIONS CB32-C-SKO.30-BRG-RB OOE
CB-743E