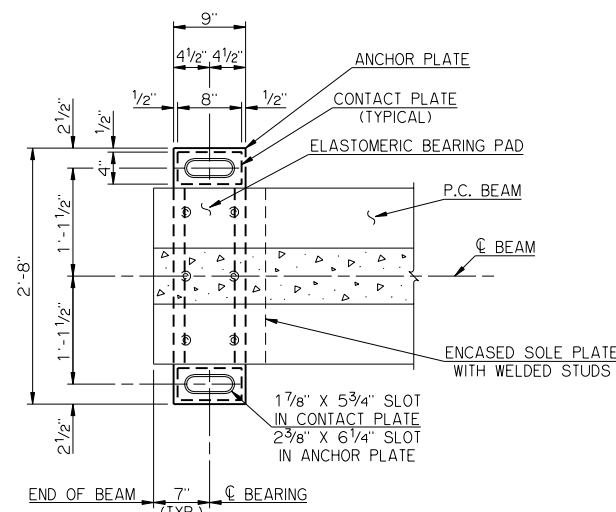
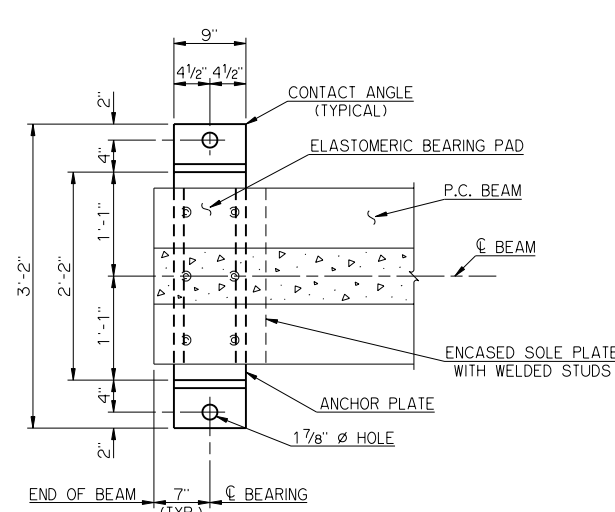


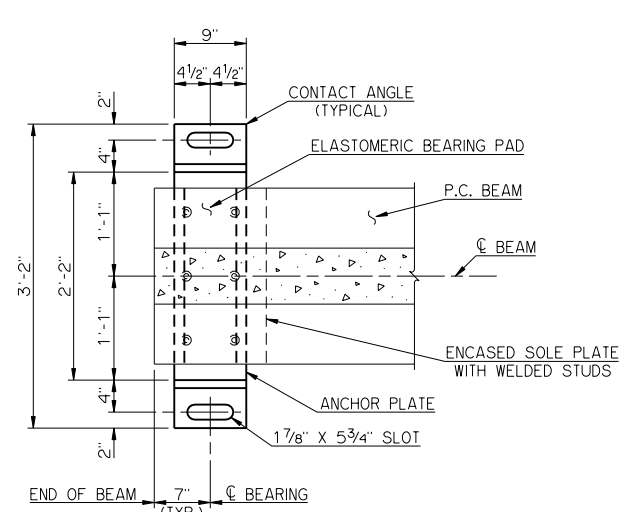
FIXED BEARING PLAN
ANCHOR BOLT ASSEMBLIES NOT SHOWN



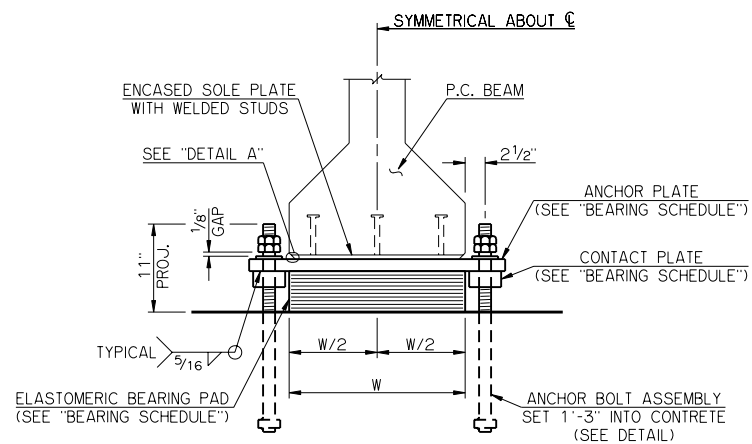
EXPANSION BEARING PLAN
ANCHOR BOLT ASSEMBLIES NOT SHOWN



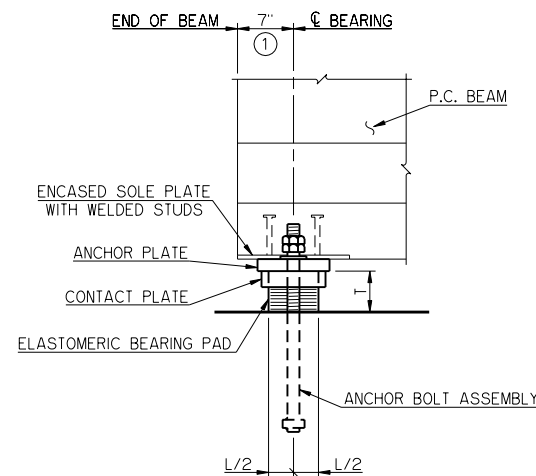
FIXED BEARING PLAN
ANCHOR BOLT ASSEMBLIES NOT SHOWN



EXPANSION BEARING PLAN
ANCHOR BOLT ASSEMBLIES NOT SHOWN

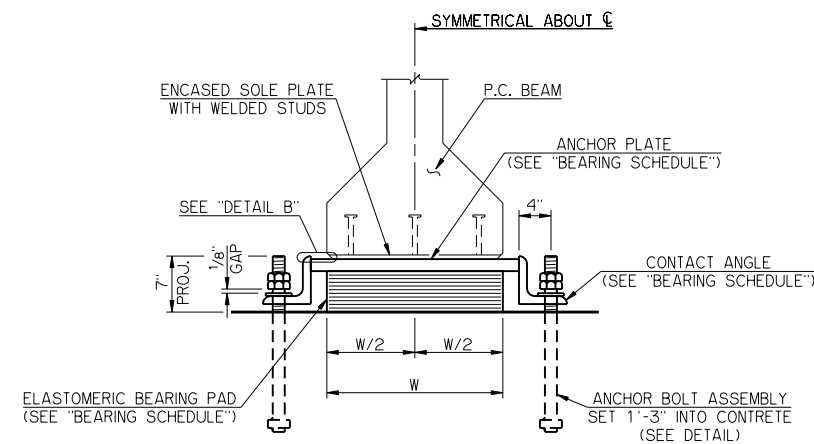


END VIEW

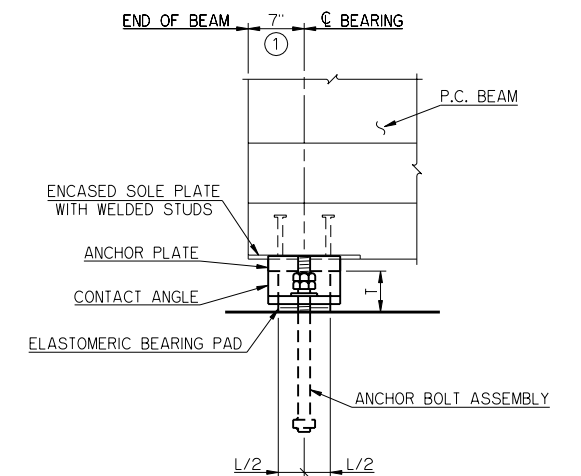


SIDE VIEW

BEARING DETAILS
60' THRU 75' SPANS

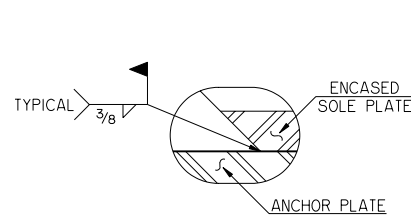


END VIEW

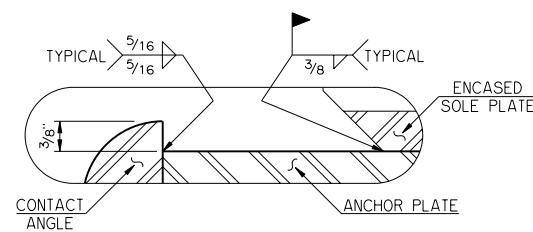


SIDE VIEW

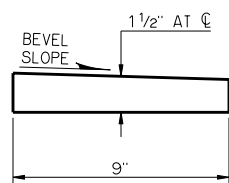
BEARING DETAILS
80' THRU 90' SPANS



DETAIL A

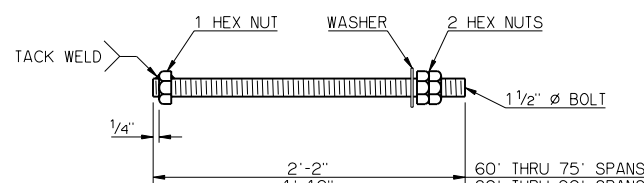


DETAIL B



BEVELED ANCHOR PLATE DETAIL

BEVELED ANCHOR PLATE IS REQUIRED WHEN ANGLE BETWEEN UNDERSIDE OF BEAM AND HORIZONTAL EXCEEDS 1.0%. BEVEL SLOPE TO MATCH ANGLE BETWEEN BEAM AND HORIZONTAL. PAINT THICKER EDGE RED.



ANCHOR BOLT ASSEMBLY DETAIL

SPAN	ANCHOR PLATE	CONTACT PLATE OR CONTACT ANGLE	60 DUROMETER ELASTOMERIC BEARING PAD			MAXIMUM EXPANSION LENGTH WITHOUT BONDING	
			SIZE (T X L X W)	COVER LAYER	INNER LAYER		
60'	1 1/2" X 9" X 2'-8"	R 1 1/4" X 4" X 8"	5 1/8" X 6" X 1'-10"	2-1/4"	9-3/8"	10-1/8"	280'
65'	1 1/2" X 9" X 2'-8"	R 1 1/2" X 4" X 8"	5 1/8" X 6" X 1'-10"	2-1/4"	9-3/8"	10-1/8"	305'
70'	1 1/2" X 9" X 2'-8"	R 1 3/4" X 4" X 8"	5 1/8" X 6 1/16" X 1'-10"	2-1/4"	9-3/8"	10-1/8"	320'
75'	1 1/2" X 9" X 2'-8"	R 2" X 4" X 8"	5 1/8" X 6 1/4" X 1'-10"	2-1/4"	9-3/8"	10-1/8"	335'
80'	1 1/2" X 9" X 2'-2"	L 6 X 6 X 1 X 9"	5 1/8" X 6 1/4" X 1'-10"	2-1/4"	9-3/8"	10-1/8"	360'
85'	1 1/2" X 9" X 2'-2"	L 6 X 6 X 1 X 9"	5 1/8" X 6 1/2" X 1'-10"	2-1/4"	9-3/8"	10-1/8"	380'
90'	1 1/2" X 9" X 2'-2"	L 6 X 6 X 1 X 9"	5 1/8" X 6 1/2" X 1'-10"	2-1/4"	9-3/8"	10-1/8"	380'

① ANCHOR BOLTS SHALL BE CENTERED IN SLOTS DURING SETTING OF BEAMS. DIMENSION MAY VARY AT EXPANSION BEARING DEPENDING ON TEMPERATURE AT THE TIME OF BEAM SETTING.

APPROVED BY BRIDGE ENGINEER *Robert J. Rusch* DATE 10/16/05
 OKLAHOMA DEPARTMENT OF TRANSPORTATION
 COUNTY BRIDGE STANDARD (ENGLISH)
BEARING DETAILS
TYPE III AND TYPE C P.C. BEAMS
 32' CLEAR ROADWAY - CONVENTIONAL - SKEWED 0° AND 30°
 1999 STANDARD SPECIFICATIONS CB32-C-SKO.30-BRG-PC3 OOE CB-740E