

FIXED BEARING PLAN  
ANCHOR BOLT ASSEMBLIES NOT SHOWN

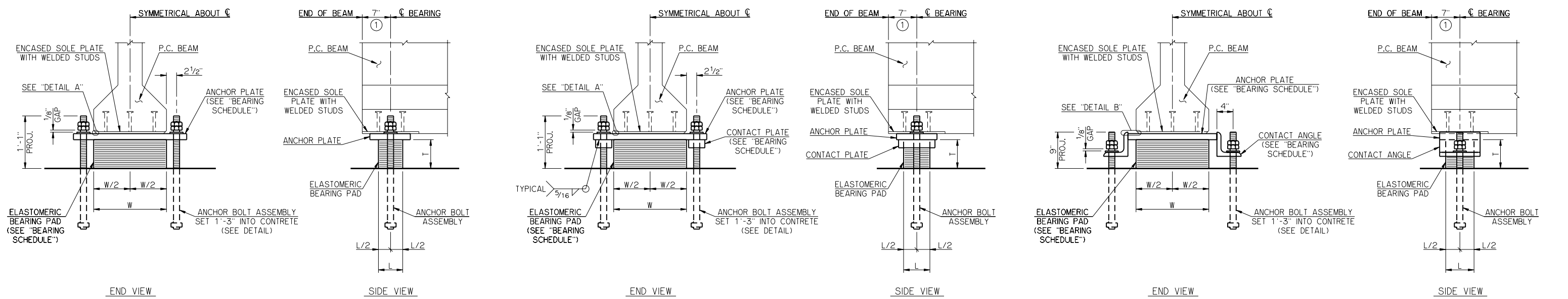
EXPANSION BEARING PLAN  
ANCHOR BOLT ASSEMBLIES NOT SHOWN

FIXED BEARING PLAN  
ANCHOR BOLT ASSEMBLIES NOT SHOWN

EXPANSION BEARING PLAN  
ANCHOR BOLT ASSEMBLIES NOT SHOWN

FIXED BEARING PLAN  
ANCHOR BOLT ASSEMBLIES NOT SHOWN

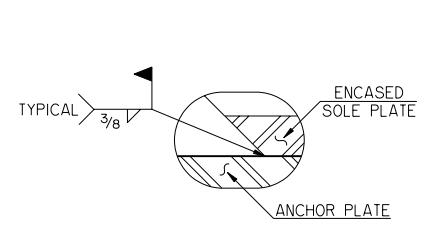
EXPANSION BEARING PLAN  
ANCHOR BOLT ASSEMBLIES NOT SHOWN



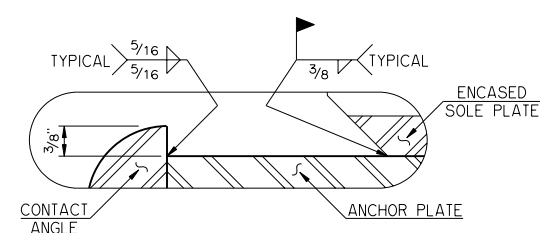
BEARING DETAILS  
30' AND 35' SPANS

BEARING DETAILS  
40' THRU 50' SPANS

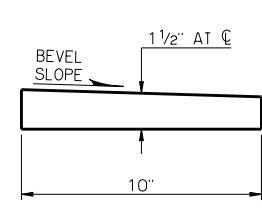
BEARING DETAILS  
55' THRU 65' SPANS



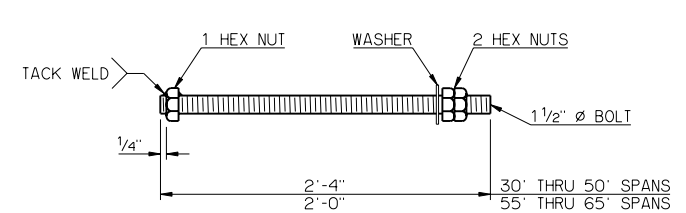
DETAIL A



DETAIL B



BEVELED ANCHOR PLATE DETAIL  
BEVELED ANCHOR PLATE IS REQUIRED WHEN ANGLE BETWEEN UNDERSIDE OF BEAM AND HORIZONTAL EXCEEDS 1.0%. BEVEL SLOPE TO MATCH ANGLE BETWEEN BEAM AND HORIZONTAL. PAINT THICKER EDGE RED.



ANCHOR BOLT ASSEMBLY DETAIL

SPAN	ANCHOR PLATE	CONTACT PLATE OR CONTACT ANGLE	60 DUROMETER ELASTOMERIC BEARING PAD			MAXIMUM EXPANSION LENGTH WITHOUT BONDING	
			SIZE (T X L X W)	COVER LAYER	INNER LAYER		
30'	1 1/2" X 10" X 2'-4"	---	7 1/8" X 5 3/4" X 1'-6"	2-1/4"	13-3/8"	14-1/8"	220'
35'	1 1/2" X 10" X 2'-4"	---	7 1/8" X 6" X 1'-6"	2-1/4"	13-3/8"	14-1/8"	245'
40'	1 1/2" X 10" X 2'-4"	1 1/2" X 4" X 9"	7 1/8" X 6 1/8" X 1'-6"	2-1/4"	13-3/8"	14-1/8"	275'
45'	1 1/2" X 10" X 2'-4"	1 1/4" X 4" X 9"	7 1/8" X 6 1/2" X 1'-6"	2-1/4"	13-3/8"	14-1/8"	290'
50'	1 1/2" X 10" X 2'-4"	2" X 4" X 9"	7 1/8" X 6 1/2" X 1'-6"	2-1/4"	13-3/8"	14-1/8"	330'
55'	1 1/2" X 10" X 1'-10"	L 6 X 6 X 1 X 10"	7 1/8" X 6 1 1/16" X 1'-6"	2-1/4"	13-3/8"	14-1/8"	355'
60'	1 1/2" X 10" X 1'-10"	L 6 X 6 X 1 X 10"	7 1/8" X 6 7/8" X 1'-6"	2-1/4"	13-3/8"	14-1/8"	375'
65'	1 1/2" X 10" X 1'-10"	L 6 X 6 X 1 X 10"	7 1/8" X 7" X 1'-6"	2-1/4"	13-3/8"	14-1/8"	400'

① ANCHOR BOLTS SHALL BE CENTERED IN SLOTS DURING SETTING OF BEAMS. DIMENSION MAY VARY AT EXPANSION BEARING DEPENDING ON TEMPERATURE AT THE TIME OF BEAM SETTING.

APPROVED BY BRIDGE ENGINEER *Robert J. Rusch* DATE 10/16/05

OKLAHOMA DEPARTMENT OF TRANSPORTATION  
COUNTY BRIDGE STANDARD (ENGLISH)

BEARING DETAILS  
TYPE II AND TYPE B P.C. BEAMS

32' CLEAR ROADWAY - CONVENTIONAL - SKEWED 0° AND 30°

1999 STANDARD SPECIFICATIONS      CB32-C-SKO.30-BRG-PC2      OOE      CB-739E