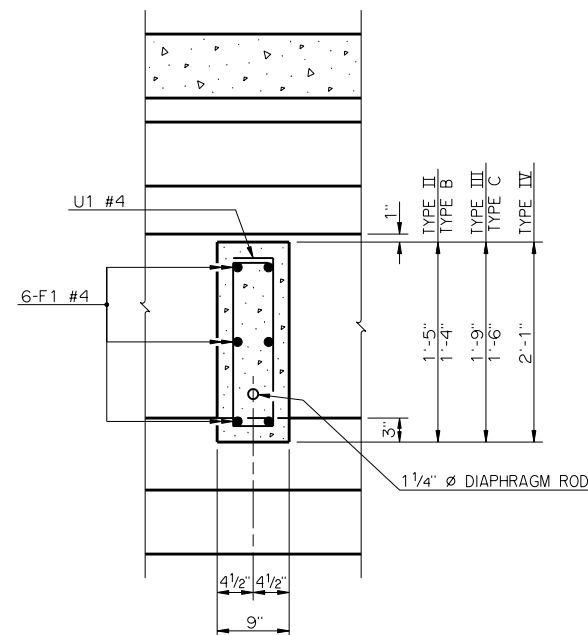
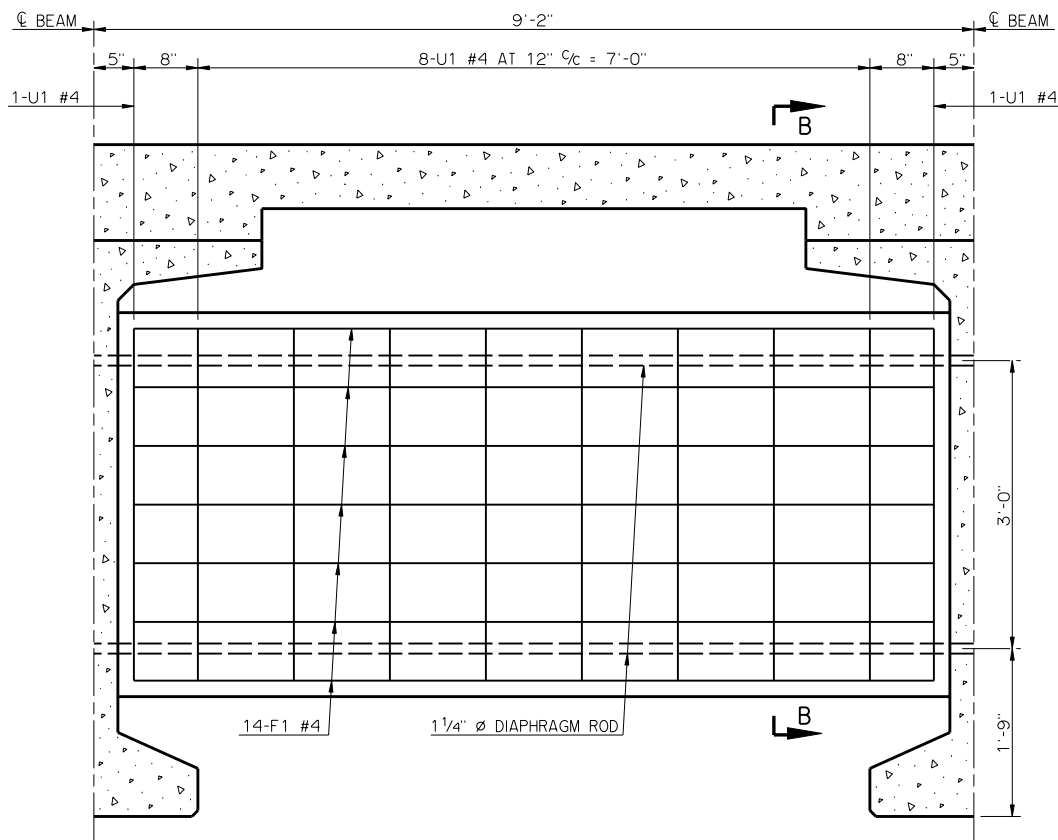


**ELEVATION OF INTERMEDIATE DIAPHRAGM
TYPE II, B, III, C AND IV P.C. BEAMS**

FOR SPANS OF 100' OR LESS IN LENGTH - INCLUDE ONE LINE OF INTERMEDIATE DIAPHRAGMS PER SPAN.
FOR SPANS OVER 100' IN LENGTH - INCLUDE TWO LINES OF INTERMEDIATE DIAPHRAGMS PER SPAN.

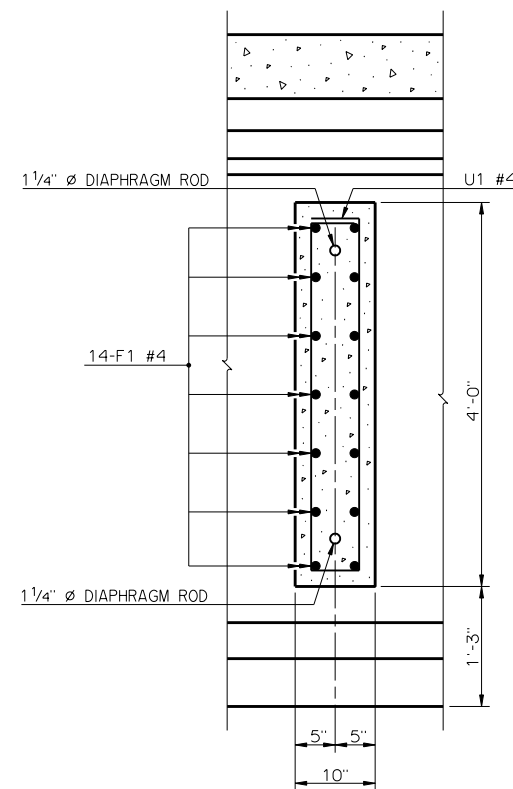


SECTION A-A

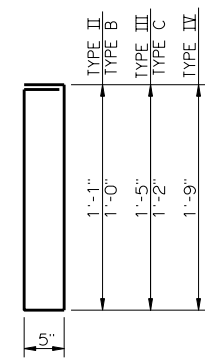


**ELEVATION OF INTERMEDIATE DIAPHRAGM
TYPE BT-72 AND TYPE J P.C. BEAMS**

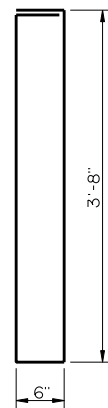
FOR ALL SPAN LENGTHS - INCLUDE TWO LINES OF INTERMEDIATE DIAPHRAGMS PER SPAN.



SECTION B-B



- U1 #4 X 3'-5" - TYPE II
- U1 #4 X 3'-3" - TYPE B
- U1 #4 X 4'-1" - TYPE III
- U1 #4 X 3'-7" - TYPE C
- U1 #4 X 4'-9" - TYPE IV



U1 #4 X 8'-10" - TYPE BT-72 AND TYPE J

DETAILS OF BENT REINFORCING STEEL

BAR LIST - ONE INTERMEDIATE DIAPHRAGM					
P.C. BEAM	MARK	NO.	SIZE	FORM	LENGTH
TYPE II	U1	9	#4	BNT.	3'-5"
	F1	6	#4	STR.	8'-4"
TYPE B	U1	9	#4	BNT.	3'-3"
	F1	6	#4	STR.	8'-3"
TYPE III	U1	9	#4	BNT.	4'-1"
	F1	6	#4	STR.	8'-3"
TYPE C	U1	9	#4	BNT.	3'-7"
	F1	6	#4	STR.	8'-3"
TYPE IV	U1	9	#4	BNT.	4'-9"
	F1	6	#4	STR.	8'-2"
TYPE BT-72	U1	10	#4	BNT.	8'-10"
	F1	14	#4	STR.	8'-4"
TYPE J	U1	10	#4	BNT.	8'-10"
	F1	14	#4	STR.	8'-4"

APPROVED BY BRIDGE ENGINEER *Robert A. Nease* DATE 10/16/08

OKLAHOMA DEPARTMENT OF TRANSPORTATION
COUNTY BRIDGE STANDARD (ENGLISH)

**INTERMEDIATE DIAPHRAGM DETAILS
P.C. BEAMS**

32' CLEAR ROADWAY - CONVENTIONAL - SKEWED 0° AND 30°

1999 STANDARD SPECIFICATIONS CB32-C-SKO.30-DIA-INT-PCB OOE CB-727E