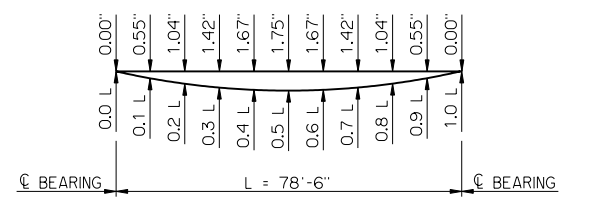


| DIAPHRAGM ROD HOLE SCHEDULE | | | | |
|-----------------------------|----------|---------|-------------|-----------|
| BRIDGE SKEW | θ | L1 | L2 | L3 |
| 0° | 90° | 10 1/2" | 38'-11 1/2" | 0'-0" |
| 30° LEFT FORWARD | 60° | 1'-0" | 36'-2 1/4" | 5'-3 1/2" |
| 30° RIGHT FORWARD | 120° | 1'-0" | 36'-2 1/4" | 5'-3 1/2" |

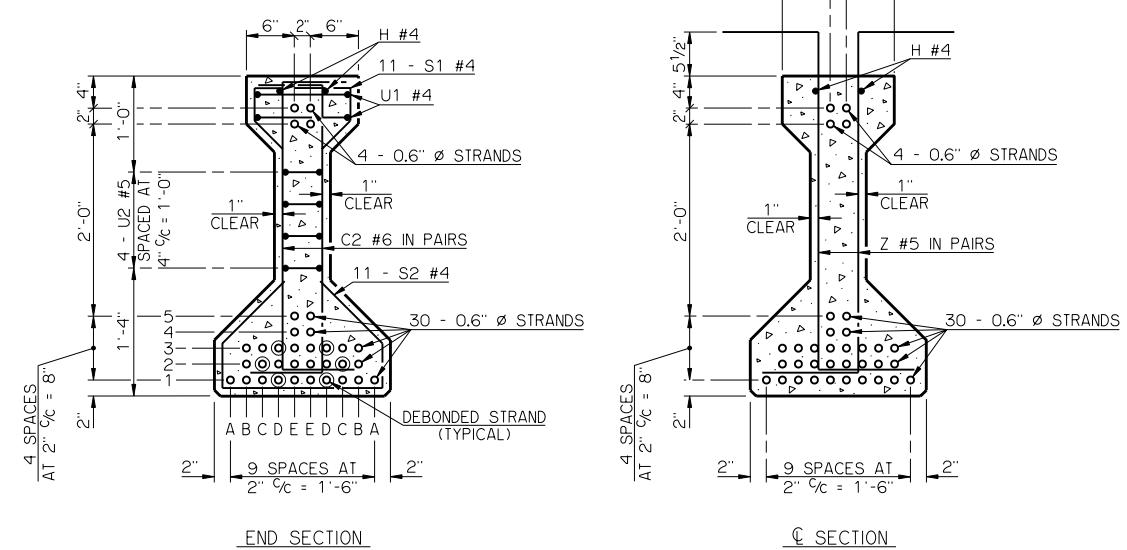
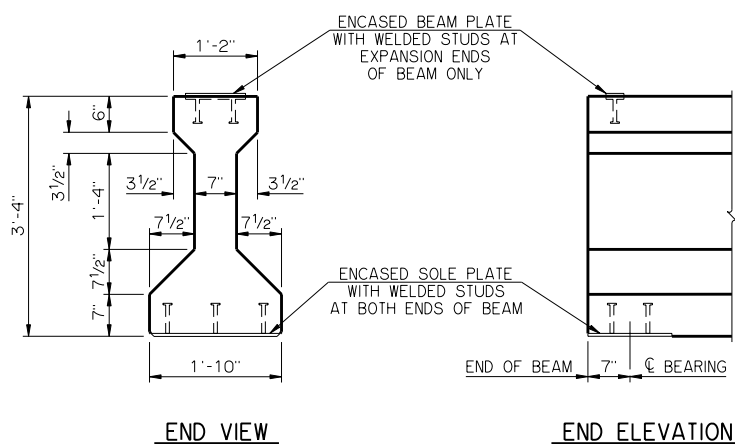


DEAD LOAD DEFLECTIONS
 THE DEAD LOAD DEFLECTIONS SHOWN ABOVE AT THE TENTH POINTS ARE THE INITIAL THEORETICAL BEAM DEFLECTIONS DUE TO THE DIAPHRAGMS, 5 PSF DECK FORM ALLOWANCE, DECK SLAB, HAUNCH AND CONCRETE TRAFFIC RAIL (TR3). THE DEAD LOAD DEFLECTIONS SHALL BE ACCOUNTED FOR IN THE HAUNCH DEPTH CALCULATIONS.

MATERIAL PROPERTIES
 THE COMPRESSIVE STRENGTH OF THE CONCRETE IN THE P.C. BEAM SHALL BE NO LESS THAN 7,000 PSI AT THE TIME OF TRANSFER OF THE PRESTRESSING FORCE AND NO LESS THAN 10,000 PSI AT 28 DAYS AFTER THE POURING OF THE CONCRETE.

THE TYPE OF PRESTRESSING STRANDS REQUIRED IN THE P.C. BEAM SHALL BE LOW RELAXATION 7-WIRE STRAND WITH A NOMINAL DIAMETER OF 0.6 INCHES AND AN ULTIMATE TENSILE STRENGTH OF 270 KSI.

LFD OPERATING RATING - HS 37.7
 THE LFD OPERATING RATING SHOWN ABOVE IS FOR THE P.C. BEAM ONLY AND APPLIES ONLY TO THE P.C. BEAMS OF A BRIDGE CONSTRUCTED IN STRICT CONFORMANCE TO ALL RELEVANT DETAILS CONTAINED IN THE COMPLETE SET OF COUNTY BRIDGE STANDARDS AND TO THE ODOT STANDARD SPECIFICATIONS.



BEAM SECTIONS (34 - 0.6" STRANDS)

| DEBOND SCHEDULE | |
|-----------------|--------------------------------|
| DEBOND PAIR | DEBOND LENGTH FROM END OF BEAM |
| D1 | 3'-0" |
| C2 | 14'-0" |
| D3 | 29'-0" |

APPROVED BY BRIDGE ENGINEER *Robert J. Nash* DATE _____

OKLAHOMA DEPARTMENT OF TRANSPORTATION
 COUNTY BRIDGE STANDARD (ENGLISH)

P.C. BEAM DETAILS
 TYPE C - 80' SPAN

32' CLEAR ROADWAY - CONVENTIONAL - SKEWED 0° AND 30°

1999 STANDARD SPECIFICATIONS CB32-C-SKO.30-PCB-C-80 OOE
 CB-665E