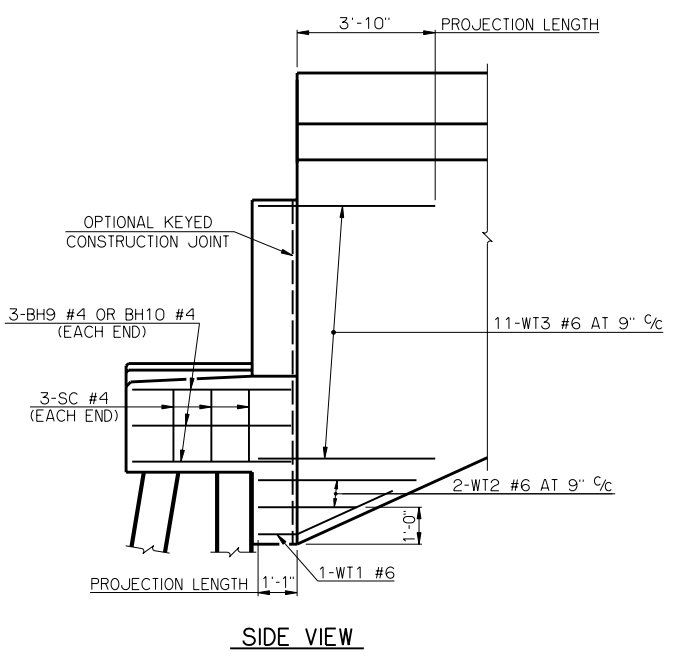
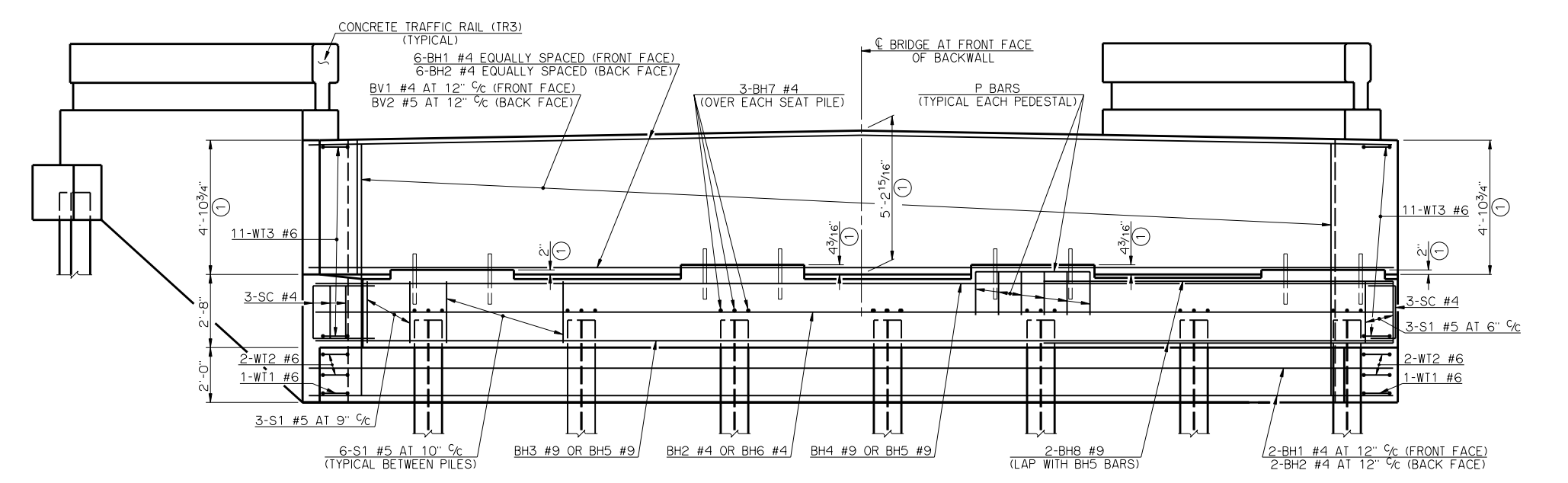


SPAN	MAXIMUM FACTORED PILE LOAD
85'	76.3 TON
90'	78.7 TON
95'	81.0 TON
100'	83.4 TON
105'	86.0 TON
110'	88.3 TON
115'	90.7 TON



PLAN
LEFT FORWARD SKEW SHOWN, RIGHT FORWARD SKEW OPPOSITE HAND



ELEVATION
LEFT FORWARD SKEW SHOWN, RIGHT FORWARD SKEW OPPOSITE HAND

SUMMARY OF QUANTITIES - ONE ABUTMENT (3)

ITEM	UNIT	TOTAL
SUBSTRUCTURE EXCAVATION COMMON	CY	85.00
GRANULAR BACKFILL	CY	63.00
CLASS A CONCRETE	CY	31.80
REINFORCING STEEL	LB	4230.00
PILES, FURNISHED (HP 12 x 53)	LF	-
PILES, DRIVEN (HP 12 x 53)	LF	-
6" PERFORATED PIPE UNDERDRAIN ROUND	LF	37.00
6" NON-PERF. PIPE UNDERDRAIN RND.	LF	-

(3) EXCLUDES WINGS

(1) DIMENSIONS ARE FROM TOP OF BRIDGE SEAT AT FRONT FACE OF BACKWALL.

(2) ALL WT WING REINFORCING STEEL TIED TO THE ABUTMENT BRIDGE SEAT, BACKWALL AND CURTAIN WALL REINFORCING STEEL MUST BE IN PLACE PRIOR TO POURING ABUTMENT CONCRETE. FOR ADDITIONAL INFORMATION SEE WING DETAILS.

APPROVED BY BRIDGE ENGINEER *Debra J. Rusch* DATE 10/16/08

OKLAHOMA DEPARTMENT OF TRANSPORTATION
COUNTY BRIDGE STANDARD (ENGLISH)

ABUTMENT DETAILS
TYPE IV P.C. BEAMS
(SHEET NO. 1 OF 2)

32' CLEAR ROADWAY - CONVENTIONAL - SKEWED 30°

1999 STANDARD SPECIFICATIONS CB32-C-SK30-ABUT-PC4-1 OOE CB-574E