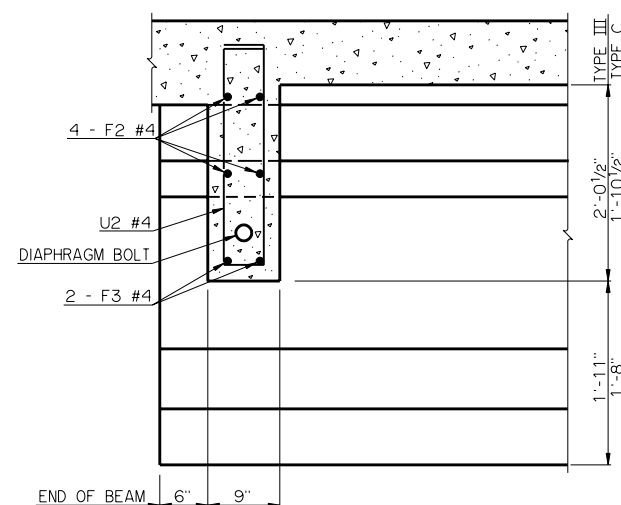
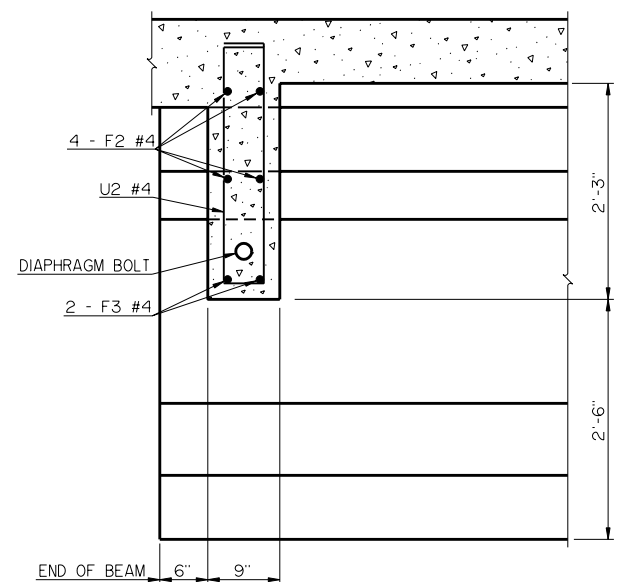


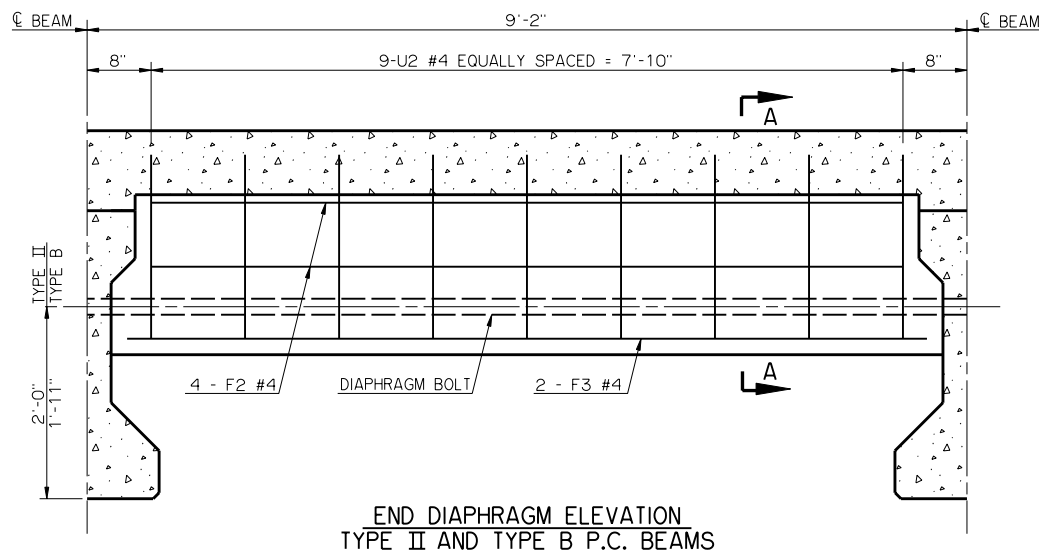
SECTION A-A



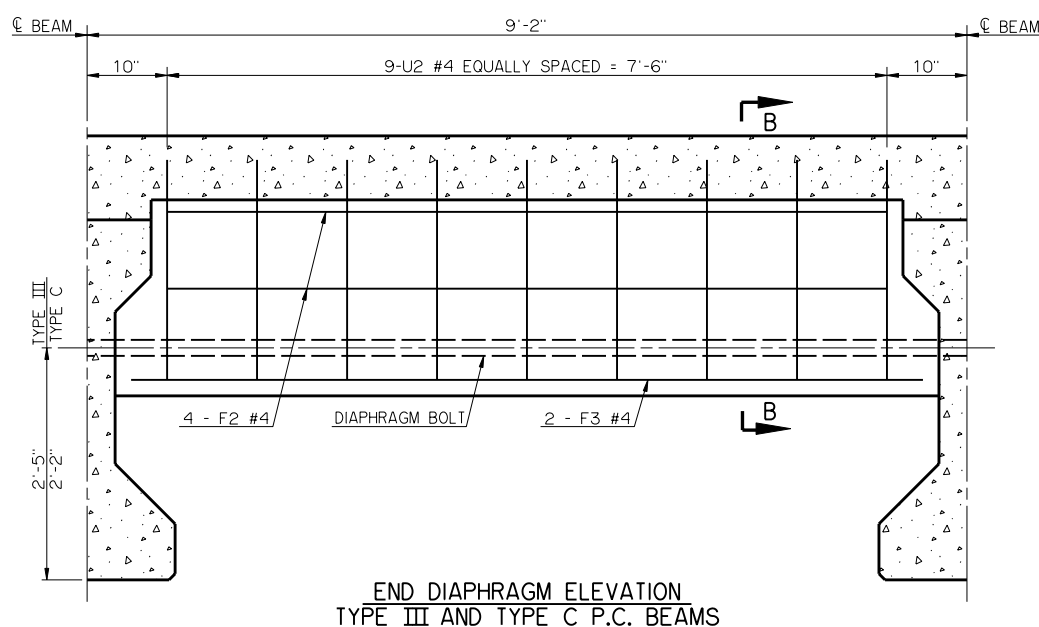
SECTION B-B



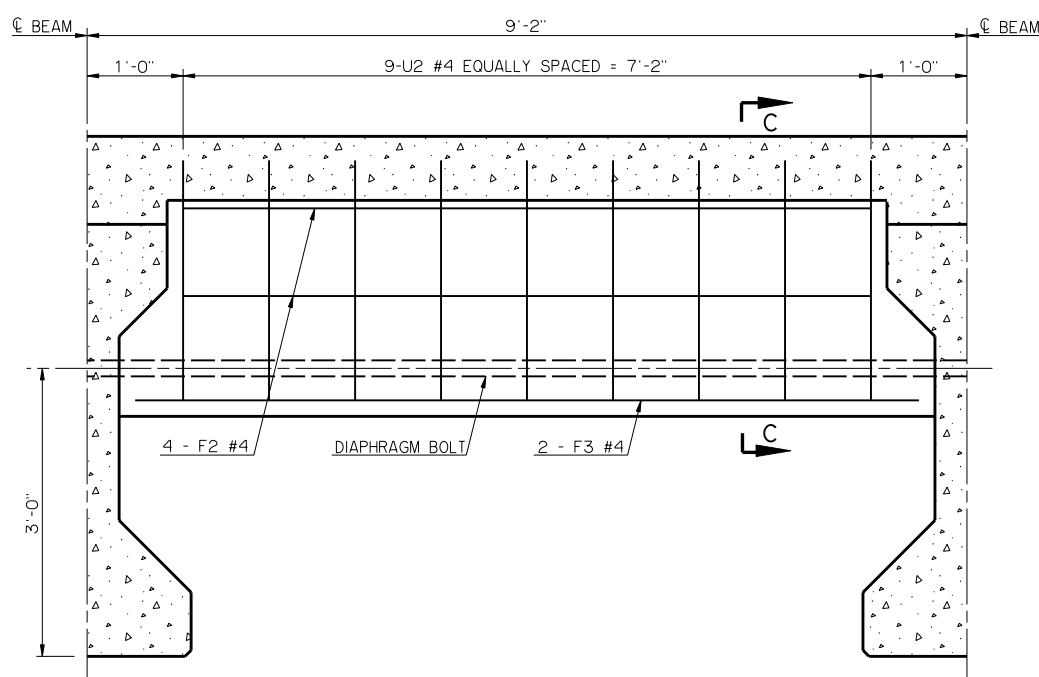
SECTION C-C



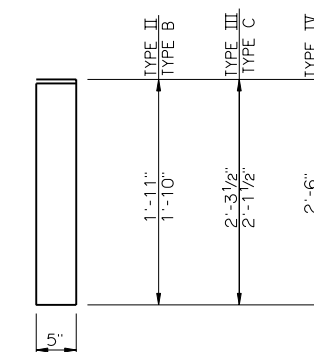
END DIAPHRAGM ELEVATION
TYPE II AND TYPE B P.C. BEAMS



END DIAPHRAGM ELEVATION
TYPE III AND TYPE C P.C. BEAMS



END DIAPHRAGM ELEVATION
TYPE IV P.C. BEAM



U2 #4 X 5'-11" - TYPE II
U2 #4 X 4'-11" - TYPE B
U2 #4 X 5'-10" - TYPE III
U2 #4 X 5'-6" - TYPE C
U2 #4 X 6'-3" - TYPE IV

DETAILS OF BENT REINFORCING STEEL

BAR LIST - ONE END DIAPHRAGM					
P.C. BEAM	MARK	NO.	SIZE	FORM	LENGTH
TYPE II	U2	9	#4	BNT.	5'-11"
	F2	4	#4	STR.	7'-10"
	F3	2	#4	STR.	8'-4"
TYPE B	U2	9	#4	BNT.	4'-11"
	F2	4	#4	STR.	7'-10"
	F3	2	#4	STR.	8'-4"
TYPE III	U2	9	#4	BNT.	5'-10"
	F2	4	#4	STR.	7'-6"
	F3	2	#4	STR.	8'-3"
TYPE C	U2	9	#4	BNT.	5'-6"
	F2	4	#4	STR.	7'-6"
	F3	2	#4	STR.	8'-3"
TYPE IV	U2	9	#4	BNT.	6'-3"
	F2	4	#4	STR.	7'-2"
	F3	2	#4	STR.	8'-2"

APPROVED BY BRIDGE ENGINEER *Robert J. Rusch* DATE 10/16/05
 OKLAHOMA DEPARTMENT OF TRANSPORTATION
 COUNTY BRIDGE STANDARD (ENGLISH)
END DIAPHRAGM DETAILS
 TYPE II, B, III, C AND IV P.C. BEAMS
 32' CLEAR ROADWAY - CONVENTIONAL - SKEWED 0°
 1999 STANDARD SPECIFICATIONS CB32-C-SKO-DIA-END-PC234 OOE
 CB-552E