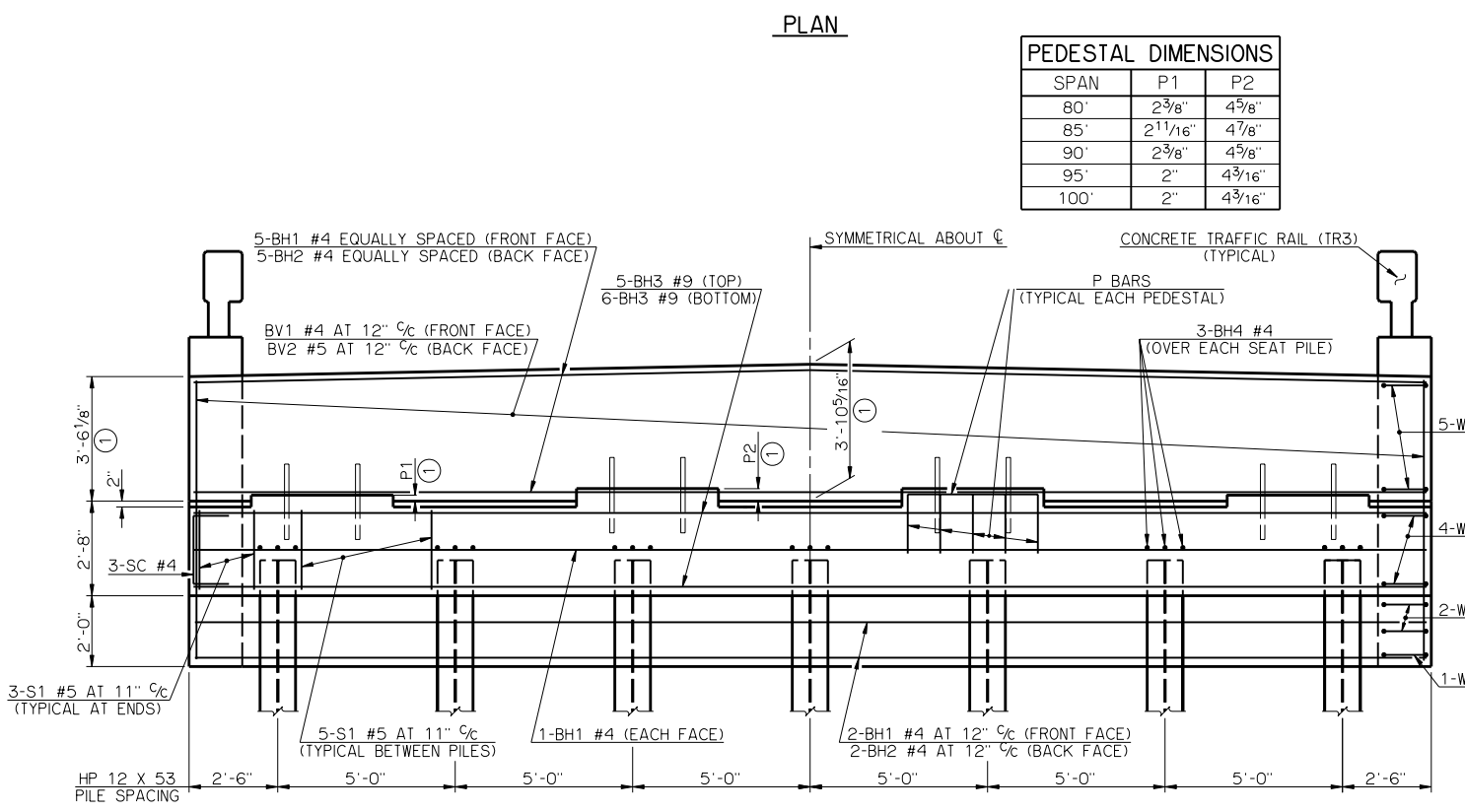
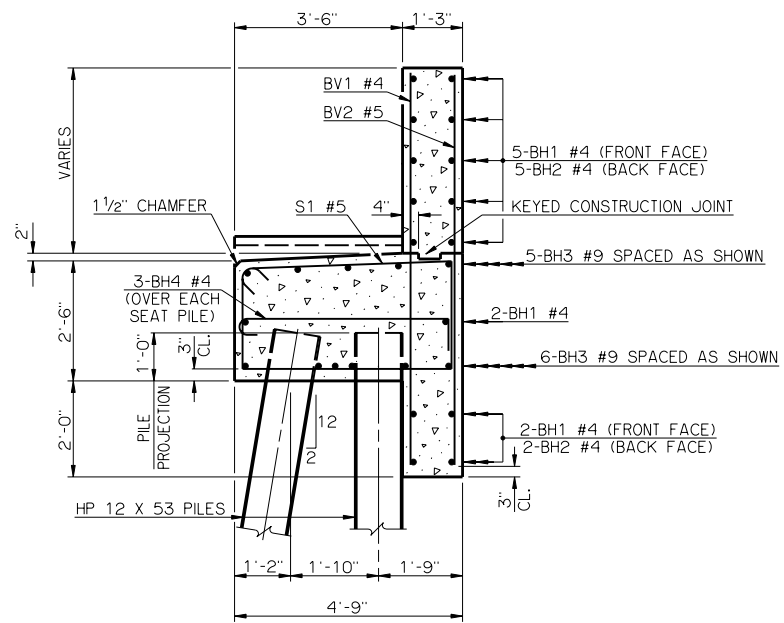


PILE SCHEDULE	
SPAN	MAXIMUM FACTORED PILE LOAD
80'	62.7 TON
85'	64.8 TON
90'	66.9 TON
95'	69.3 TON
100'	71.1 TON

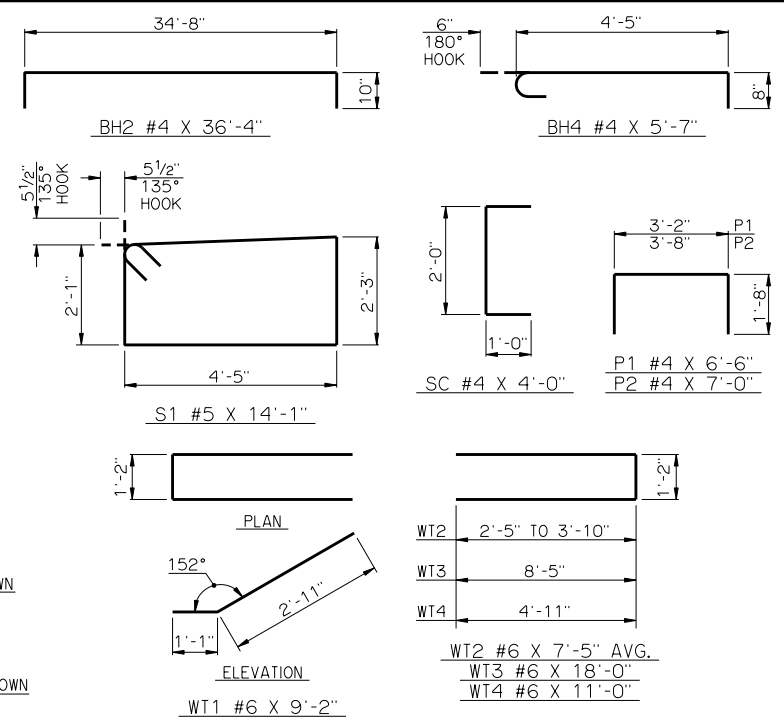
PEDESTAL DIMENSIONS		
SPAN	P1	P2
80'	2 <sup>3</sup> / <sub>8</sub> "	4 <sup>5</sup> / <sub>8</sub> "
85'	2 <sup>11</sup> / <sub>16</sub> "	4 <sup>7</sup> / <sub>8</sub> "
90'	2 <sup>3</sup> / <sub>8</sub> "	4 <sup>5</sup> / <sub>8</sub> "
95'	2"	4 <sup>3</sup> / <sub>16</sub> "
100'	2"	4 <sup>3</sup> / <sub>16</sub> "



ELEVATION



TYPICAL SECTION THRU ABUTMENT



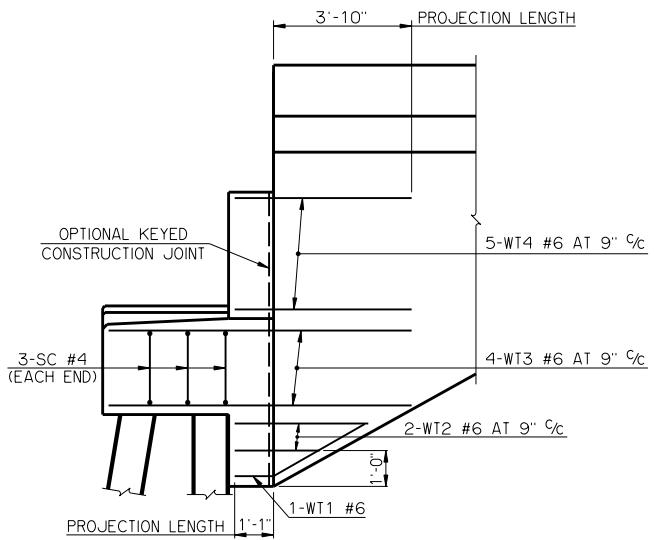
DETAILS OF BENT REINFORCING STEEL

BAR LIST - ONE ABUTMENT					
MARK	NO.	SIZE	FORM	LENGTH	LENGTH VARIATION
BH1	9	#4	STR.	34'-8"	-
BH2	7	#4	BNT.	36'-4"	-
BH3	11	#9	STR.	34'-8"	-
BH4	21	#4	BNT.	5'-7"	-
BV1	36	#4	STR.	7'-11" AVG.	7'-9" TO 8'-1"
BV2	36	#5	STR.	7'-11" AVG.	7'-9" TO 8'-1"
P1	20	#4	BNT.	6'-6"	-
P2	16	#4	BNT.	7'-0"	-
S1	36	#5	BNT.	14'-1"	-
SC	6	#4	BNT.	4'-0"	-
WT1	2	#6	BNT.	9'-2"	-
WT2	4	#6	BNT.	7'-5" AVG.	6'-0" TO 8'-10"
WT3	8	#6	BNT.	18'-0"	-
WT4	10	#6	BNT.	11'-0"	-

③ NO. INCLUDES TWO SETS OF 18 BARS  
 ④ NO. INCLUDES TWO SETS OF 2 BARS

SUMMARY OF QUANTITIES - ONE ABUTMENT ⑤		
ITEM	UNIT	TOTAL
SUBSTRUCTURE EXCAVATION COMMON	CY	70.00
GRANULAR BACKFILL	CY	39.00
CLASS A CONCRETE	CY	26.10
REINFORCING STEEL	LB	3410.00
PILES, FURNISHED (HP 12 x 53)	LF	-
PILES, DRIVEN (HP 12 x 53)	LF	-
6" PERFORATED PIPE UNDERDRAIN ROUND	LF	32.00
6" NON-PERF. PIPE UNDERDRAIN RND.	LF	-

⑤ EXCLUDES WINGS  
 ① DIMENSIONS ARE FROM TOP OF BRIDGE SEAT AT FRONT FACE OF BACKWALL.  
 ② ALL WT WING REINFORCING STEEL TIED TO THE ABUTMENT BRIDGE SEAT, BACKWALL AND CURTAIN WALL REINFORCING STEEL MUST BE IN PLACE PRIOR TO POURING ABUTMENT CONCRETE. FOR ADDITIONAL INFORMATION SEE WING DETAILS.



SIDE VIEW

APPROVED BY BRIDGE ENGINEER *Robert J. Rusch* DATE 10/16/06  
 OKLAHOMA DEPARTMENT OF TRANSPORTATION  
 COUNTY BRIDGE STANDARD (ENGLISH)  
**ABUTMENT DETAILS**  
**80' THRU 100' ROLLED BEAMS**  
**32' CLEAR ROADWAY - CONVENTIONAL - SKEWED 0°**  
 1999 STANDARD SPECIFICATIONS      CB32-C-SKO-ABUT-RB-80100      OOE      CB-530E