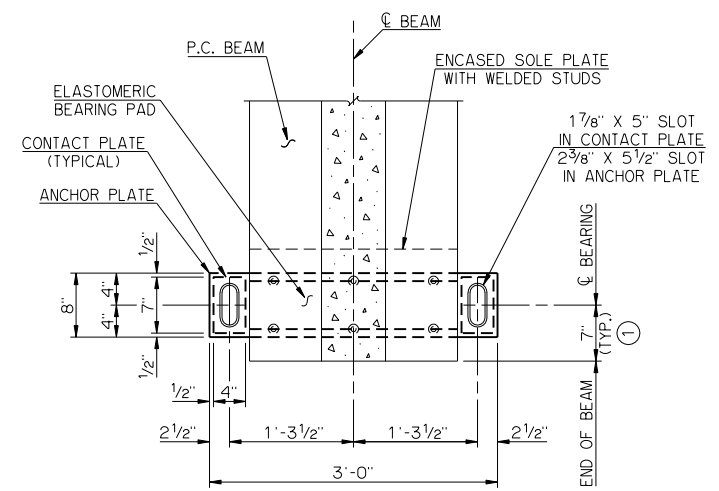
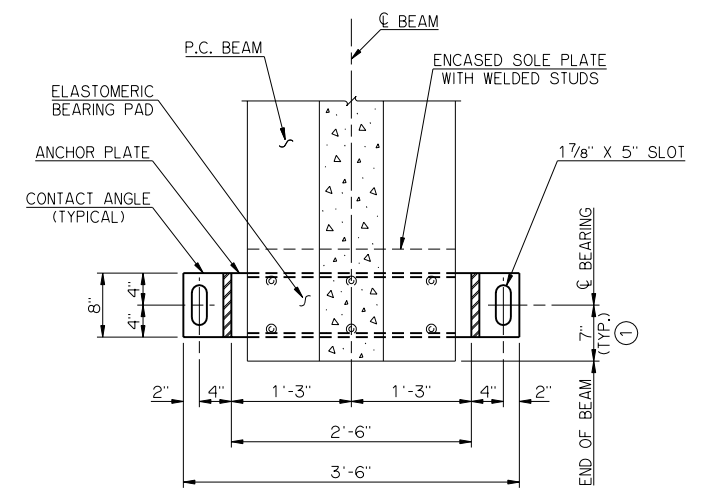


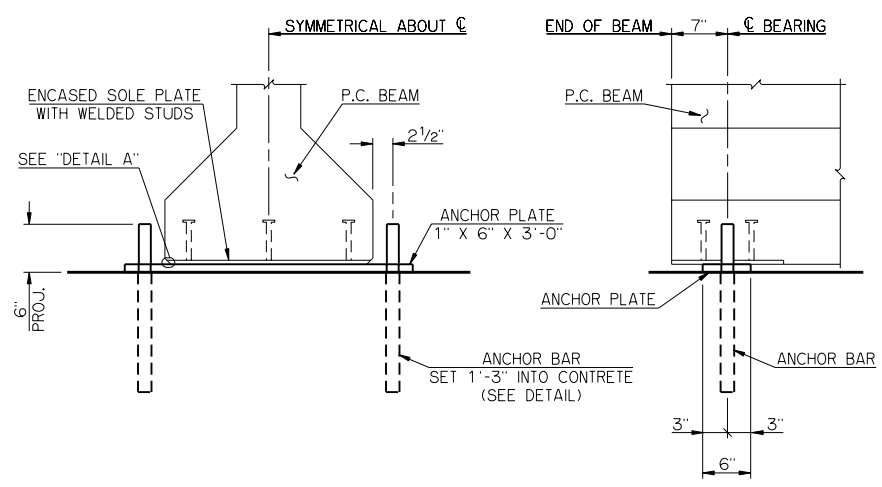
PLAN  
ANCHOR BARS NOT SHOWN



PLAN  
ANCHOR BOLT ASSEMBLIES NOT SHOWN

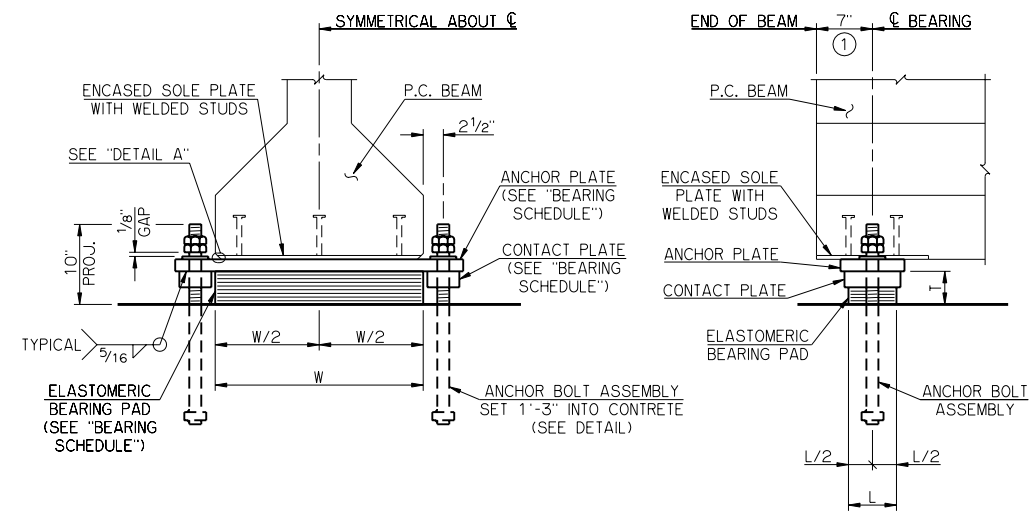


PLAN  
ANCHOR BOLT ASSEMBLIES NOT SHOWN



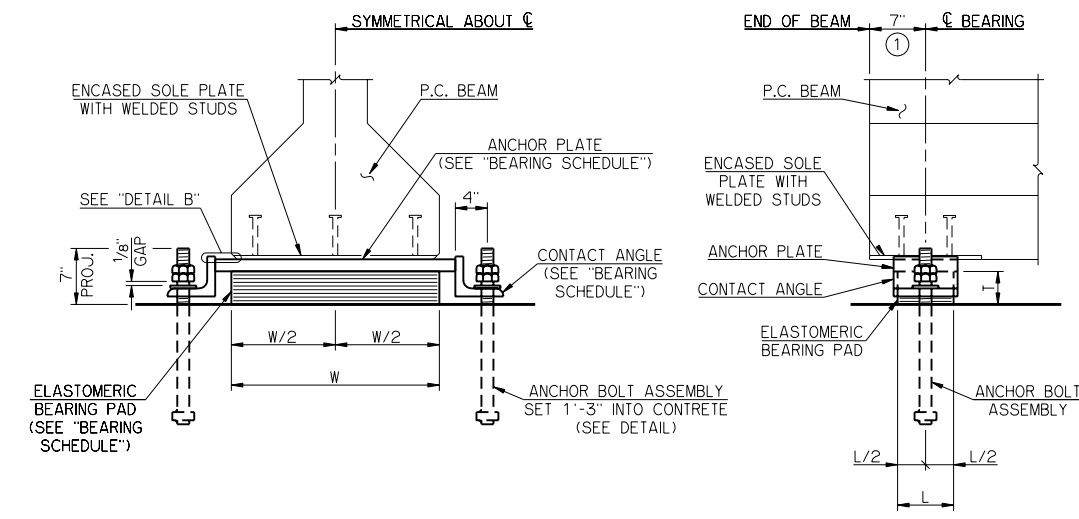
END VIEW  
SIDE VIEW

ABUTMENT BEARING DETAILS



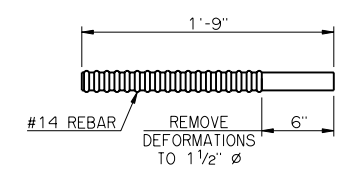
END VIEW  
SIDE VIEW

PIER BEARING DETAILS  
80' THRU 90' SPANS

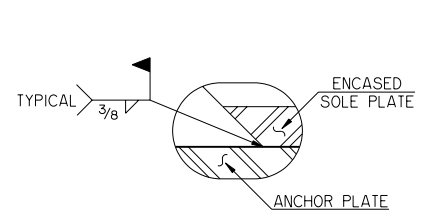


END VIEW  
SIDE VIEW

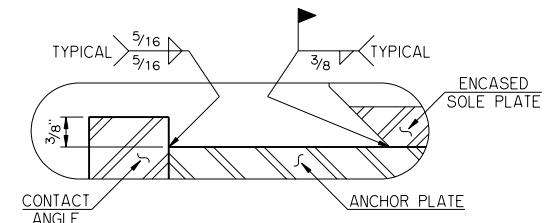
PIER BEARING DETAILS  
95' THRU 120' SPANS



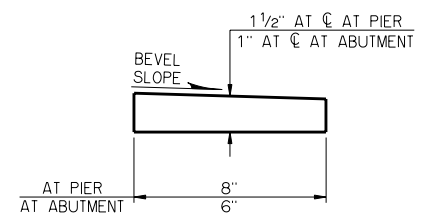
ANCHOR BAR DETAIL



DETAIL A

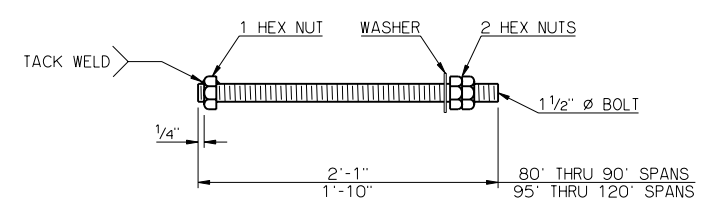


DETAIL B



BEVELED ANCHOR PLATE DETAIL

BEVELED ANCHOR PLATE IS REQUIRED WHEN ANGLE BETWEEN UNDERSIDE OF BEAM AND HORIZONTAL EXCEEDS 1.0%. BEVEL SLOPE TO MATCH ANGLE BETWEEN BEAM AND HORIZONTAL. PAINT THICKER EDGE RED.



ANCHOR BOLT ASSEMBLY DETAIL

SPAN	ANCHOR PLATE	CONTACT PLATE OR CONTACT ANGLE (2)	60 DUROMETER ELASTOMERIC BEARING PAD			MAXIMUM EXPANSION LENGTH WITHOUT BONDING	
			SIZE (T X L X W)	COVER LAYER	INNER LAYER		
80'	1 1/2" X 8" X 3'-0"	R 1 3/4" X 4" X 7"	4 1/8" x 6" x 2'-2"	2-1/4"	7-3/8"	8-1/8"	310'
85'	1 1/2" X 8" X 3'-0"	R 2" X 4" X 7"	4 1/8" x 6 1/4" x 2'-2"	2-1/4"	7-3/8"	8-1/8"	310'
90'	1 1/2" X 8" X 3'-0"	R 2" X 4" X 7"	4 1/8" x 6 1/4" x 2'-2"	2-1/4"	7-3/8"	8-1/8"	310'
95'	1 1/2" X 8" X 2'-6"	L 6 X 5 X 1 X 8"	4 1/8" x 6 1/4" x 2'-2"	2-1/4"	7-3/8"	8-1/8"	310'
100'	1 1/2" X 8" X 2'-6"	L 6 X 5 X 1 X 8"	4 1/8" x 6 1/2" x 2'-2"	2-1/4"	7-3/8"	8-1/8"	310'
105'	1 1/2" X 8" X 2'-6"	L 6 X 5 X 1 X 8"	4 1/8" x 6 1/2" x 2'-2"	2-1/4"	7-3/8"	8-1/8"	310'
110'	1 1/2" X 8" X 2'-6"	L 6 X 5 X 1 X 8"	4 1/8" x 6 3/4" x 2'-2"	2-1/4"	7-3/8"	8-1/8"	310'
115'	1 1/2" X 8" X 2'-6"	L 6 X 5 X 1 X 8"	4 1/8" x 6 7/8" x 2'-2"	2-1/4"	7-3/8"	8-1/8"	310'
120'	1 1/2" X 8" X 2'-6"	L 6 X 5 X 1 X 8"	4 1/8" x 7" x 2'-2"	2-1/4"	7-3/8"	8-1/8"	310'

1 ANCHOR BOLTS SHALL BE CENTERED IN SLOTS DURING SETTING OF BEAMS. DIMENSION MAY VARY AT EXPANSION BEARING DEPENDING ON TEMPERATURE AT THE TIME OF BEAM SETTING.  
2 FABRICATE L 6 X 5 X 1 BY CUTTING 1" FROM VERTICAL LEG OF L 6 X 6 X 1.

APPROVED BY BRIDGE ENGINEER *Robert J. Rusch* DATE 10/16/06  
OKLAHOMA DEPARTMENT OF TRANSPORTATION  
COUNTY BRIDGE STANDARD (ENGLISH)  
**BEARING DETAILS  
TYPE IV AND TYPE BT-72 P.C. BEAMS**  
26' CLEAR ROADWAY - INTEGRAL - SKEWED 0°  
1999 STANDARD SPECIFICATIONS      CB26-I-SKO-BRG-PC4      OOE      CB-507E