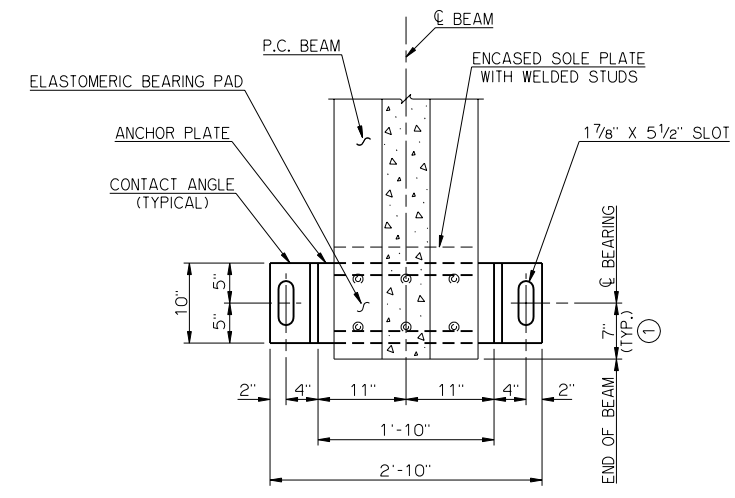
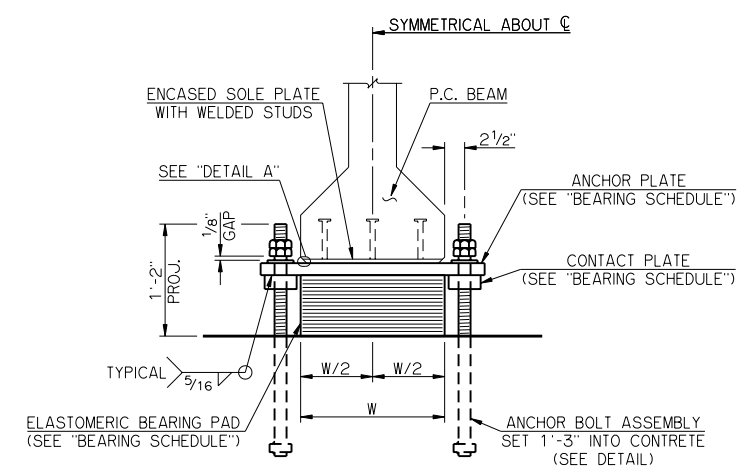


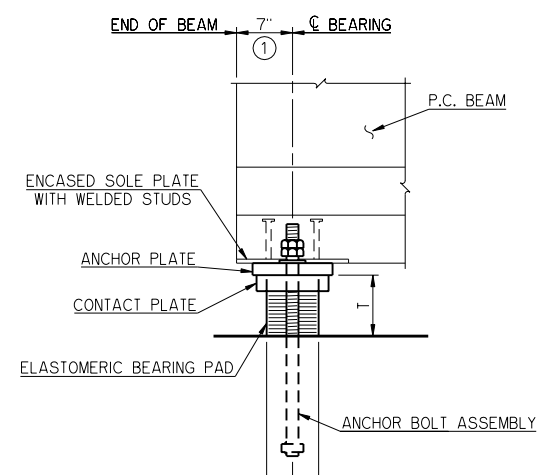
PLAN
ANCHOR BOLT ASSEMBLIES NOT SHOWN



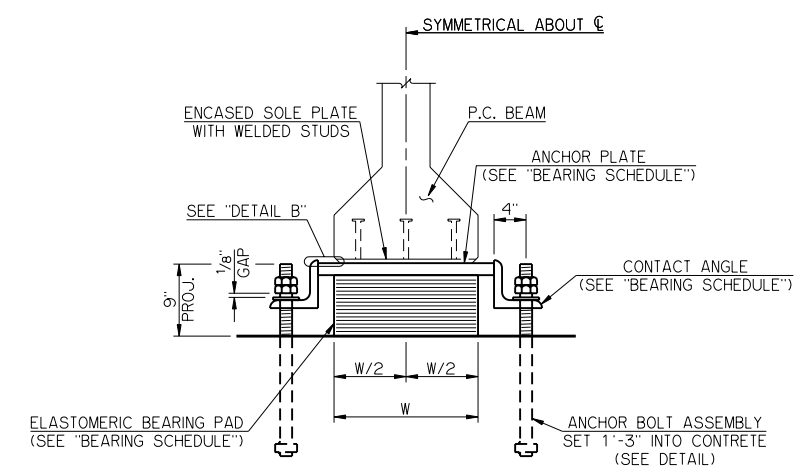
PLAN
ANCHOR BOLT ASSEMBLIES NOT SHOWN



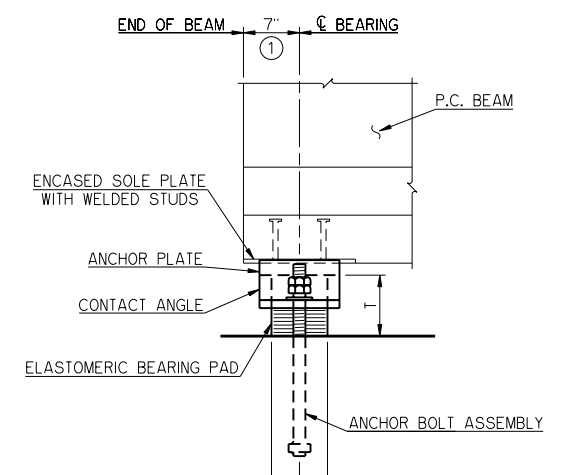
END VIEW



SIDE VIEW



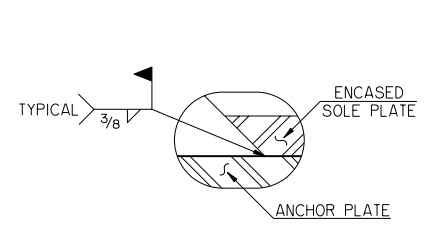
END VIEW



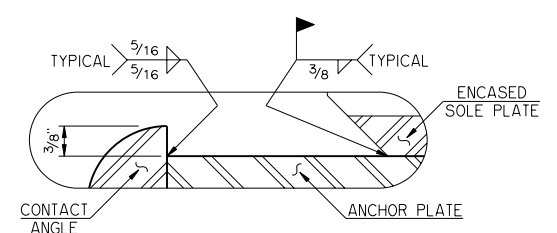
SIDE VIEW

PIER BEARING DETAILS
35' THRU 40' SPANS

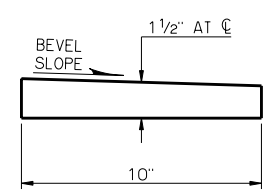
PIER BEARING DETAILS
45' THRU 60' SPANS



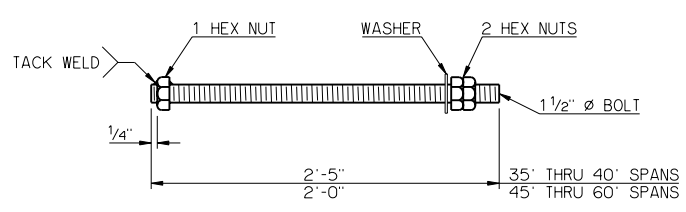
DETAIL A



DETAIL B



BEVELED ANCHOR PLATE DETAIL
BEVELED ANCHOR PLATE IS REQUIRED WHEN ANGLE BETWEEN UNDERSIDE OF BEAM AND HORIZONTAL EXCEEDS 1.0%. BEVEL SLOPE TO MATCH ANGLE BETWEEN BEAM AND HORIZONTAL. PAINT THICKER EDGE RED.



ANCHOR BOLT ASSEMBLY DETAIL

SPAN	ANCHOR PLATE	CONTACT PLATE OR CONTACT ANGLE	60 DUROMETER ELASTOMERIC BEARING PAD			MAXIMUM EXPANSION LENGTH WITHOUT BONDING	
			SIZE (T X L X W)	COVER LAYER	INNER LAYER		
35'	1 1/2" X 10" X 2'-4"	P 3/4" x 4" x 9"	7 9/8" x 6 3/8" x 1'-6"	2-1/4"	14-3/8"	15-1/8"	280'
40'	1 1/2" X 10" X 2'-4"	P 1 3/4" x 4" x 9"	7 9/8" x 6 9/8" x 1'-6"	2-1/4"	14-3/8"	15-1/8"	305'
45'	1 1/2" X 10" X 1'-10"	L 6 X 6 X 1 X 10"	7 9/8" x 6 7/8" x 1'-6"	2-1/4"	14-3/8"	15-1/8"	335'
50'	1 1/2" X 10" X 1'-10"	L 6 X 6 X 1 X 10"	7 9/8" x 7 1/8" x 1'-6"	2-1/4"	14-3/8"	15-1/8"	360'
55'	1 1/2" X 10" X 1'-10"	L 6 X 6 X 1 X 10"	7 9/8" x 7 1/4" x 1'-6"	2-1/4"	14-3/8"	15-1/8"	365'
60'	1 1/2" X 10" X 1'-10"	L 6 X 6 X 1 X 10"	7 9/8" x 7 3/8" x 1'-6"	2-1/4"	14-3/8"	15-1/8"	365'

① ANCHOR BOLTS SHALL BE CENTERED IN SLOTS DURING SETTING OF BEAMS. DIMENSION MAY VARY DEPENDING ON TEMPERATURE AT THE TIME OF BEAM SETTING.

APPROVED BY BRIDGE ENGINEER *Debra J. Rusch* DATE 10/16/05
 OKLAHOMA DEPARTMENT OF TRANSPORTATION
 COUNTY BRIDGE STANDARD (ENGLISH)
BEARING DETAILS
TYPE II AND TYPE B P.C. BEAMS
(SHEET NO. 2 OF 2)
26' CLEAR ROADWAY - INTEGRAL - SKEWED 0°
 1999 STANDARD SPECIFICATIONS CB26-I-SKO-BRG-PC2-2 OOE CB-505E