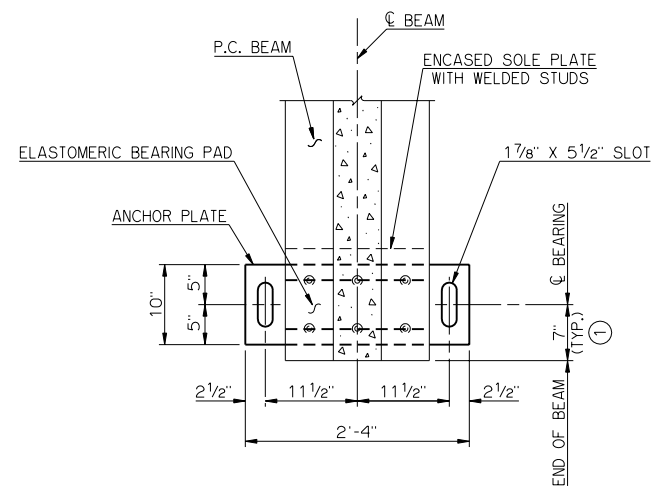
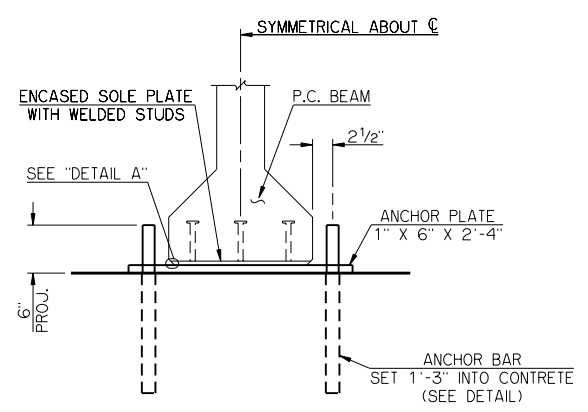


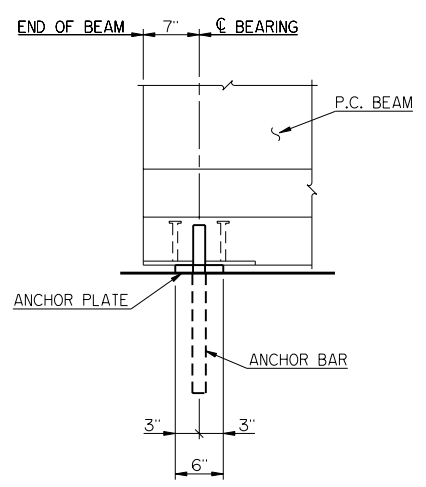
PLAN
ANCHOR BARS NOT SHOWN



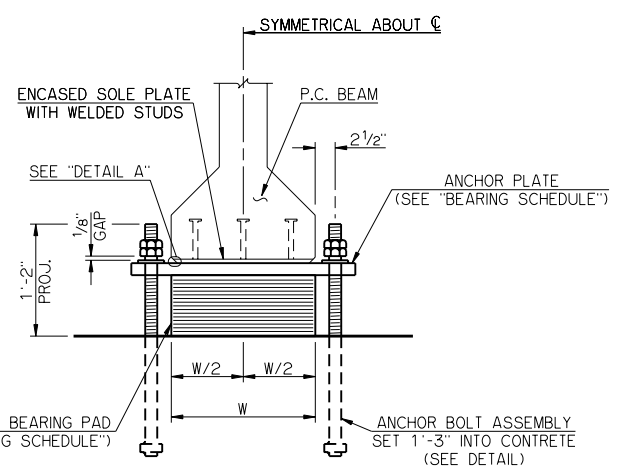
PLAN
ANCHOR BOLT ASSEMBLIES NOT SHOWN



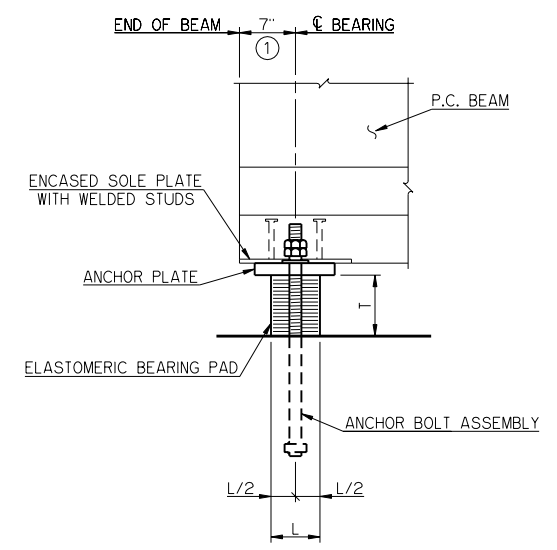
END VIEW



SIDE VIEW



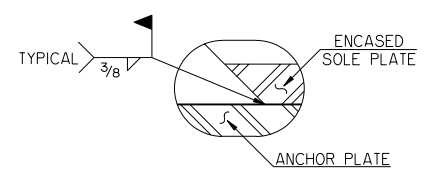
END VIEW



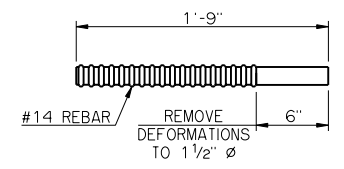
SIDE VIEW

ABUTMENT BEARING DETAILS
30' THRU 60' SPANS

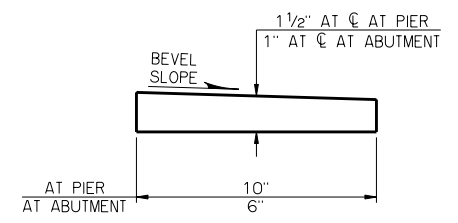
PIER BEARING DETAILS
30' SPAN



DETAIL A

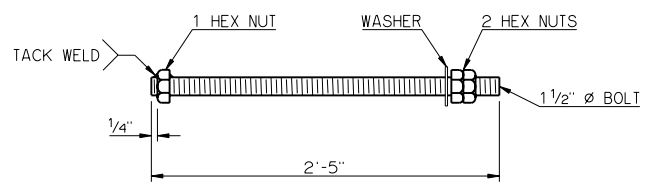


ANCHOR BAR DETAIL



BEVELED ANCHOR PLATE DETAIL

BEVELED ANCHOR PLATE IS REQUIRED WHEN ANGLE BETWEEN UNDERSIDE OF BEAM AND HORIZONTAL EXCEEDS 1.0%. BEVEL SLOPE TO MATCH ANGLE BETWEEN BEAM AND HORIZONTAL. PAINT THICKER EDGE RED.



ANCHOR BOLT ASSEMBLY DETAIL

SPAN	ANCHOR PLATE	60 DUROMETER ELASTOMERIC BEARING PAD			MAXIMUM EXPANSION LENGTH WITHOUT BONDING
		SIZE (T X L X W)	COVER LAYER	INNER LAYER	
30'	1 1/2" X 10" X 2'-4"	7 5/8" x 6 1/8" x 1'-6"	2-1/4"	14-3/8"	245'

① ANCHOR BOLTS SHALL BE CENTERED IN SLOTS DURING SETTING OF BEAMS. DIMENSION MAY VARY DEPENDING ON TEMPERATURE AT THE TIME OF BEAM SETTING.

APPROVED BY BRIDGE ENGINEER *Robert J. Nussch* DATE 10/16/05
 OKLAHOMA DEPARTMENT OF TRANSPORTATION
 COUNTY BRIDGE STANDARD (ENGLISH)
BEARING DETAILS
TYPE II AND TYPE B P.C. BEAMS
 (SHEET NO. 1 OF 2)
 26' CLEAR ROADWAY - INTEGRAL - SKEWED 0°
 1999 STANDARD SPECIFICATIONS CB26-I-SKO-BRG-PC2-1 OOE
 CB-504E